

## Evaluating the **ADP7157** Ultralow Noise, 1.2 A, Adjustable Output, RF Linear Regulator

### FEATURES

#### Power supply rejection ratio (PSRR)

82 dB from 1 kHz to 100 kHz; 55 dB at 1 MHz,  
 $V_{OUT} = 3.3\text{ V}$ ,  $V_{IN} = 3.8\text{ V}$

#### Low noise

0.9  $\mu\text{V}$  rms total integrated noise from 100 Hz to 100 kHz

1.6  $\mu\text{V}$  rms total integrated noise from 10 Hz to 100 kHz

Noise spectral density: 1.7 nV/ $\sqrt{\text{Hz}}$  from 10 kHz to 1 MHz

Low dropout voltage: 120 mV typical at  $V_{OUT} = 3.3\text{ V}$ ,  $I_{OUT} = 1.2\text{ A}$

Maximum output current: 1.2 A

Input voltage range: 2.3 V to 5.5 V

Low quiescent and shutdown current

Initial accuracy:  $\pm 0.6\%$  at  $I_{LOAD} = 10\text{ mA}$

Accuracy over line, load, and temperature:  $\pm 1.5\%$

10-lead, 3 mm  $\times$  3 mm LFCSP

### EVALUATION KIT CONTENTS

**ADP7157CP-04-EVALZ** evaluation board

### ADDITIONAL EQUIPMENT NEEDED

A dc power supply

Multimeters for voltage and current measurements

Electronic or resistive loads

### GENERAL DESCRIPTION

The **ADP7157CP-04-EVALZ** evaluation board demonstrates the operation and functionality of the **ADP7157** ultralow noise, 1.2 A, adjustable output, radio frequency (RF) linear regulator in a 10-lead LFCSP package.

Simple device measurements such as line and load regulation, dropout voltage, and ground current can be demonstrated using only a single voltage supply, load resistors, and a voltmeter or an ammeter.

### EVALUATION BOARD LAYOUT

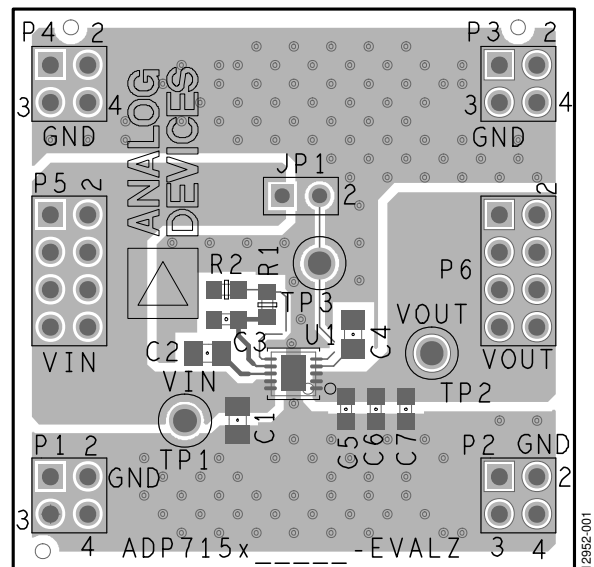


Figure 1. **ADP7157CP-04-EVALZ** Printed Circuit Board (PCB) Layout

Complete specifications for the **ADP7157** ultralow noise, 1.2 A, adjustable output, radio frequency (RF) linear regulator are available in the **ADP7157** data sheet available from Analog Devices, Inc., and should be consulted in conjunction with this user guide when using the evaluation board.

**TABLE OF CONTENTS**

Features .....	1	Line Regulation Measurements.....	5
Evaluation Kit Contents.....	1	Load Regulation Measurements.....	5
Additional Equipment Needed .....	1	Dropout Voltage Measurements.....	5
Evaluation Board Layout .....	1	Ground Current Measurements.....	6
General Description .....	1	Ground Current Consumption .....	7
Revision History .....	2	Ordering Information.....	8
Evaluation Board Hardware.....	3	Bill of Materials.....	8
Evaluation Board Configurations .....	3		
Output Voltage Measurements .....	4		

**REVISION HISTORY**

<b>4/16—Rev. 0 to Rev. A</b>	
Change to Figure 2 .....	3

**3/16—Revision 0: Initial Version**



## OUTPUT VOLTAGE MEASUREMENTS

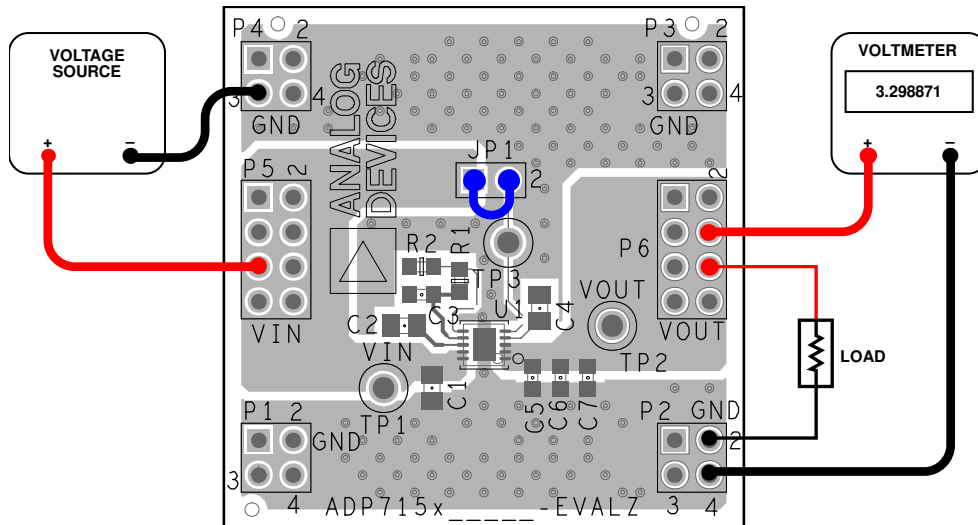


Figure 3. Output Voltage Measurement Setup, [ADP7157CP-04-EVALZ](#)

Figure 3 shows the connections to a voltage source and a voltmeter for basic output voltage accuracy measurements for the [ADP7157CP-04-EVALZ](#). Use a resistor as the load for the regulator. Ensure the resistor has a power rating that can handle the power dissipated across it. An electronic load can also be used as an alternative to using a resistor load. Ensure the voltage source supplies enough current for the expected load levels.

The steps on how to connect either of the [ADP7157CP-04-EVALZ](#) evaluation board to a voltage source and a voltmeter are as follows:

1. Connect the negative terminal of the voltage source to one of the GND pins on the evaluation board.
2. Connect the positive terminal of the voltage source to the VIN pin on the evaluation board.

3. Connect a load between the evaluation board VOUT pin and one of the GND pins.
4. Connect the negative terminal of the voltmeter to one of the GND pins on the evaluation board.
5. Connect the positive terminal of the voltmeter to the VOUT pin on the evaluation board.

When these steps are complete, turn on the voltage source. If the JP1 jumper is inserted (connecting the EN pin to the VIN pin for automatic startup), the regulator powers up.

If the load current is large, connect the voltmeter as close as possible to the output capacitor to reduce the effects of voltage drops.

**LINE REGULATION MEASUREMENTS**

For line regulation measurements, the change in the output of the regulator is measured when the input is varied. For good line regulation, the output must maintain a minimal change in voltage with respect to varying input voltage levels. To ensure the device is not in dropout mode during this measurement, vary  $V_{IN}$  between  $V_{IN\_MIN}$  and  $V_{IN\_MAX}$ . See Table 2 for selection guides. For example, for the ADP7157-04,  $V_{IN}$  can vary from 3.8 V to 5.5 V. This measurement can be repeated under different load conditions. The typical line regulation performance of an ADP7157 with a 3.3 V output is shown in Figure 4.

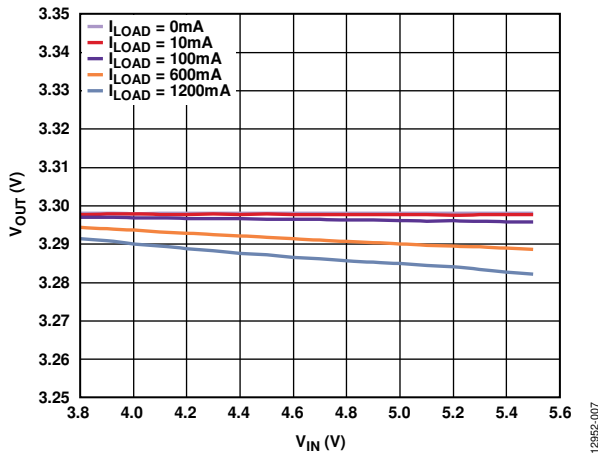


Figure 4. Output Voltage ( $V_{OUT}$ ) vs. Input Voltage ( $V_{IN}$ ),  $V_{OUT} = 3.3\text{ V}$ ,  $T_A = 25^\circ\text{C}$ ,  $C_{IN} = C_{OUT} = 10\ \mu\text{F}$

**LOAD REGULATION MEASUREMENTS**

For load regulation measurements, the output voltage of the regulator is monitored while the load current is varied. For a good load regulation, the output must maintain a minimal voltage change with respect to varying load current levels. Hold the input voltage constant during this measurement. The load current can vary from 0 mA to 1.2 A. The typical load regulation performance of an ADP7157 with a 3.3 V output for an input voltage of 3.8 V is shown in Figure 5.

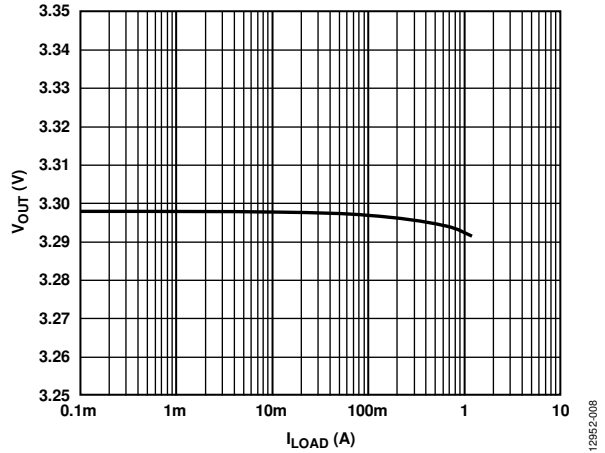


Figure 5. Output Voltage ( $V_{OUT}$ ) vs. Load Current ( $I_{LOAD}$ ),  $V_{OUT} = 3.3\text{ V}$ ,  $T_A = 25^\circ\text{C}$ ,  $C_{IN} = C_{OUT} = 10\ \mu\text{F}$

**DROPOUT VOLTAGE MEASUREMENTS**

Dropout voltage is defined as the input to output voltage differential when the input voltage is set to the nominal output voltage. This definition is only applicable to output voltages above 2.3 V. Dropout voltage increases with larger loads. Figure 3 shows the configuration for measuring dropout voltage.

For more accurate measurements, use a second voltmeter to monitor the input voltage across the input capacitor. The input supply voltage may require adjusting for voltage drops, especially if using large load currents. The typical curve of dropout voltage measurements over varying load current levels is shown in Figure 6.

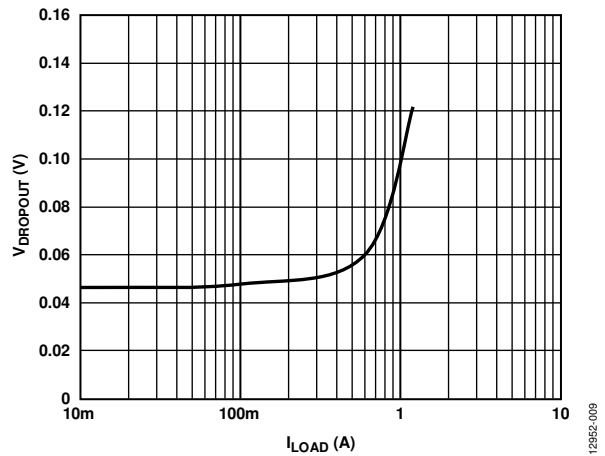


Figure 6. Dropout Voltage vs. Load Current ( $I_{LOAD}$ ),  $V_{OUT} = 3.3\text{ V}$ ,  $T_A = 25^\circ\text{C}$ ,  $C_{IN} = C_{OUT} = 10\ \mu\text{F}$

## GROUND CURRENT MEASUREMENTS

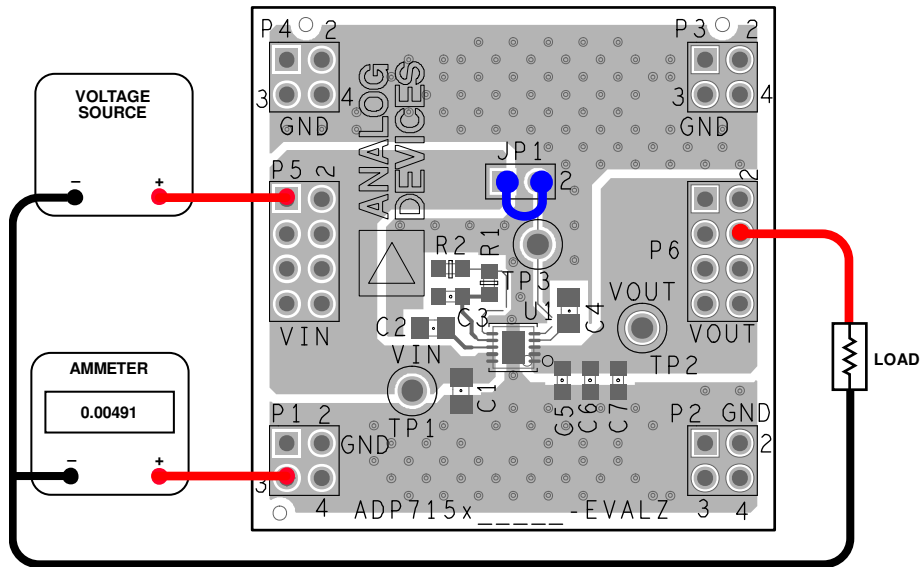


Figure 7. Ground Current Measurement Setup for the [ADP7157CP-04-EVALZ](#)

Figure 7 shows the connections to a voltage source and an ammeter for ground current measurements for the [ADP7157CP-04-EVALZ](#). Use a resistor as the load for the regulator. Ensure the resistor has a power rating that can handle the power dissipated across it. An electronic load can also be used as an alternative to using a resistor load. Ensure the voltage source supplies enough current for the expected load levels.

The steps on how to connect either of the [ADP7157CP-04-EVALZ](#) evaluation board to a voltage source and an ammeter are as follows:

1. Connect the positive terminal of the voltage source to the VIN pin on the evaluation board.

2. Connect the positive terminal of the ammeter to one of the GND pins on the evaluation board.
3. Connect the negative terminal of the ammeter to the negative terminal of the voltage source.
4. Connect a load between the evaluation board VOUT pin and the negative terminal of the voltage source.

When these steps are complete, turn on the voltage source. If the JP1 jumper is inserted (connecting the EN pin to the VIN pin for automatic startup), the regulator powers up.

**GROUND CURRENT CONSUMPTION**

Ground current measurements can determine how much current the internal circuits of the regulator consume while the circuits perform the regulation function. For efficiency, the regulator must consume as little current as possible. Typically, the regulator uses the maximum current when supplying the largest load level (1.2 A). The typical ground current consumption for various load current levels at  $V_{OUT} = 3.3\text{ V}$  and  $T_A = 25^\circ\text{C}$  is shown in Figure 8.

When the device is disabled ( $EN = GND$ ), the ground current typically drops to  $0.2\ \mu\text{A}$ .

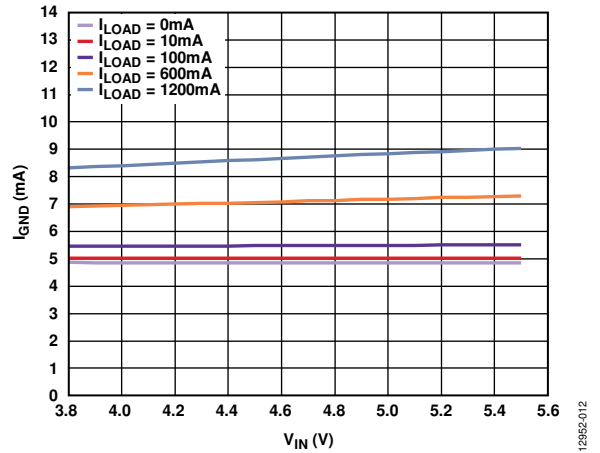


Figure 8. Ground Current ( $I_{GND}$ ) vs. Input Voltage ( $V_{IN}$ ),  $V_{OUT} = 3.3\text{ V}$ ,  $T_A = 25^\circ\text{C}$ ,  $C_{IN} = C_{OUT} = 10\ \mu\text{F}$

## ORDERING INFORMATION

### BILL OF MATERIALS

Table 3.

Reference Designator	Description	Manufacturer	Part Number
U1	ADP7157, IC, ultralow noise, low dropout, linear regulator	Analog Devices, Inc.	ADP7157ACPZ-04-R7
C1, C5, C6 <sup>1</sup> , C7 <sup>1</sup>	Capacitor, MLCC, 10 $\mu$ F, 10 V, 0805, X5R, 10%	TDK or equivalent	C2012X5R1A106K125AB
C2, C4	Capacitor, MLCC, 1 $\mu$ F, 10 V, 0805, X5R, 10%	TDK or equivalent	C2012X5R1A105K/10
C3	Capacitor, MLCC, 1 $\mu$ F, 10 V, 0603, X5R, 10%	TDK or equivalent	C1608X5R1A105K080AC
R1, R2	Resistor, 1%, 0603 case	Vishay Dale	CRCW0603xxxxF
JP1	Jumper, PLUG, 2-position, single row	Omron Electronics Inc-EMC Div	XG85-0241
VIN, VOUT, GND	Header 0.100, single, straight, two pins	Sullins Electronics/3M	S1012E-36-ND

<sup>1</sup> Not installed in the evaluation board.



#### ESD Caution

**ESD (electrostatic discharge) sensitive device.** Charged devices and circuit boards can discharge without detection. Although this product features patented or proprietary protection circuitry, damage may occur on devices subjected to high energy ESD. Therefore, proper ESD precautions should be taken to avoid performance degradation or loss of functionality.

#### Legal Terms and Conditions

By using the evaluation board discussed herein (together with any tools, components documentation or support materials, the "Evaluation Board"), you are agreeing to be bound by the terms and conditions set forth below ("Agreement") unless you have purchased the Evaluation Board, in which case the Analog Devices Standard Terms and Conditions of Sale shall govern. Do not use the Evaluation Board until you have read and agreed to the Agreement. Your use of the Evaluation Board shall signify your acceptance of the Agreement. This Agreement is made by and between you ("Customer") and Analog Devices, Inc. ("ADI"), with its principal place of business at One Technology Way, Norwood, MA 02062, USA. Subject to the terms and conditions of the Agreement, ADI hereby grants to Customer a free, limited, personal, temporary, non-exclusive, non-sublicensable, non-transferable license to use the Evaluation Board FOR EVALUATION PURPOSES ONLY. Customer understands and agrees that the Evaluation Board is provided for the sole and exclusive purpose referenced above, and agrees not to use the Evaluation Board for any other purpose. Furthermore, the license granted is expressly made subject to the following additional limitations: Customer shall not (i) rent, lease, display, sell, transfer, assign, sublicense, or distribute the Evaluation Board; and (ii) permit any Third Party to access the Evaluation Board. As used herein, the term "Third Party" includes any entity other than ADI, Customer, their employees, affiliates and in-house consultants. The Evaluation Board is NOT sold to Customer; all rights not expressly granted herein, including ownership of the Evaluation Board, are reserved by ADI. CONFIDENTIALITY. This Agreement and the Evaluation Board shall all be considered the confidential and proprietary information of ADI. Customer may not disclose or transfer any portion of the Evaluation Board to any other party for any reason. Upon discontinuation of use of the Evaluation Board or termination of this Agreement, Customer agrees to promptly return the Evaluation Board to ADI. ADDITIONAL RESTRICTIONS. Customer may not disassemble, decompile or reverse engineer chips on the Evaluation Board. Customer shall inform ADI of any occurred damages or any modifications or alterations it makes to the Evaluation Board, including but not limited to soldering or any other activity that affects the material content of the Evaluation Board. Modifications to the Evaluation Board must comply with applicable law, including but not limited to the RoHS Directive. TERMINATION. ADI may terminate this Agreement at any time upon giving written notice to Customer. Customer agrees to return to ADI the Evaluation Board at that time. LIMITATION OF LIABILITY. THE EVALUATION BOARD PROVIDED HEREUNDER IS PROVIDED "AS IS" AND ADI MAKES NO WARRANTIES OR REPRESENTATIONS OF ANY KIND WITH RESPECT TO IT. ADI SPECIFICALLY DISCLAIMS ANY REPRESENTATIONS, ENDORSEMENTS, GUARANTEES, OR WARRANTIES, EXPRESS OR IMPLIED, RELATED TO THE EVALUATION BOARD INCLUDING, BUT NOT LIMITED TO, THE IMPLIED WARRANTY OF MERCHANTABILITY, TITLE, FITNESS FOR A PARTICULAR PURPOSE OR NON-INFRINGEMENT OF INTELLECTUAL PROPERTY RIGHTS. IN NO EVENT WILL ADI AND ITS LICENSORS BE LIABLE FOR ANY INCIDENTAL, SPECIAL, INDIRECT, OR CONSEQUENTIAL DAMAGES RESULTING FROM CUSTOMER'S POSSESSION OR USE OF THE EVALUATION BOARD, INCLUDING BUT NOT LIMITED TO LOST PROFITS, DELAY COSTS, LABOR COSTS OR LOSS OF GOODWILL. ADI'S TOTAL LIABILITY FROM ANY AND ALL CAUSES SHALL BE LIMITED TO THE AMOUNT OF ONE HUNDRED US DOLLARS (\$100.00). EXPORT. Customer agrees that it will not directly or indirectly export the Evaluation Board to another country, and that it will comply with all applicable United States federal laws and regulations relating to exports. GOVERNING LAW. This Agreement shall be governed by and construed in accordance with the substantive laws of the Commonwealth of Massachusetts (excluding conflict of law rules). Any legal action regarding this Agreement will be heard in the state or federal courts having jurisdiction in Suffolk County, Massachusetts, and Customer hereby submits to the personal jurisdiction and venue of such courts. The United Nations Convention on Contracts for the International Sale of Goods shall not apply to this Agreement and is expressly disclaimed.