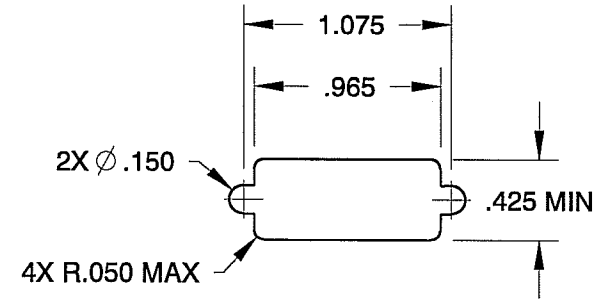
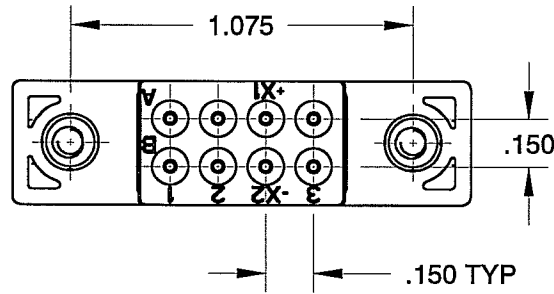
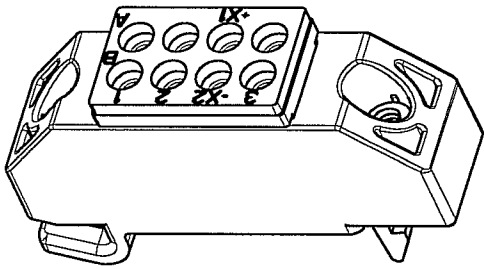


REV	ECN	APP'D
-	5277	JT 12-28-05
A	6078	6/12/07

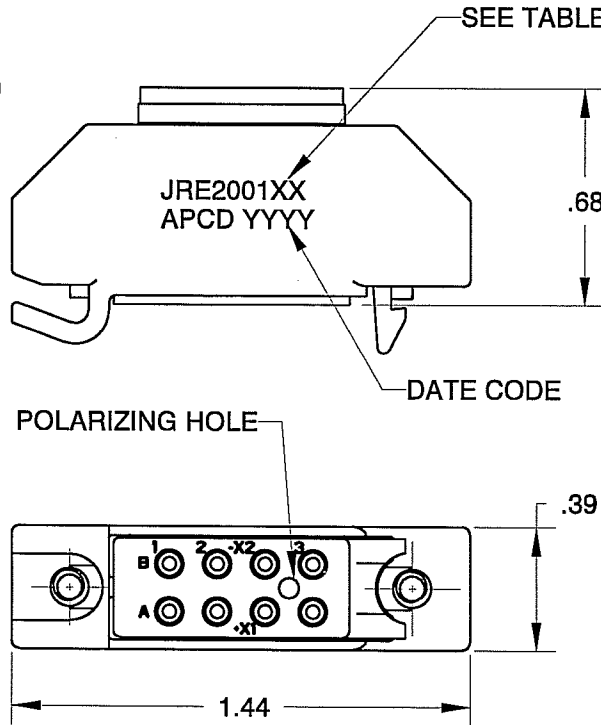
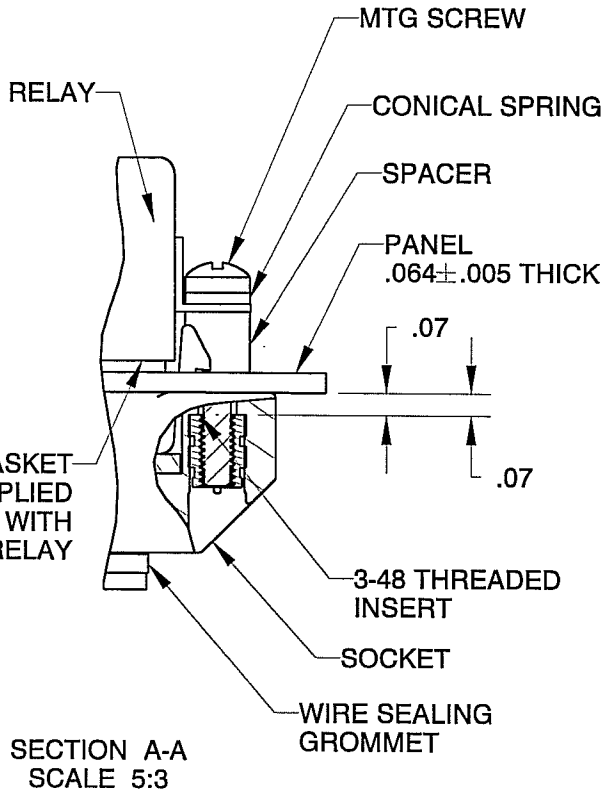


REQUIRED
PANEL CUT-OUT

NOTES:

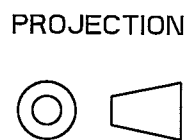
1. MATERIALS-
SOCKET BODY: POLYETHERIMIDE PER ASTM-D-5205
GROMMET: SILICONE RUBBER PER A-A-59588
CONTACT RETAINERS: STAINLESS STEEL
THREADED INSERTS: STAINLESS STEEL
MOUNTING HARDWARE: STAINLESS STEEL
2. PART MEETS APPLICABLE REQUIREMENTS OF MIL-PRF-12883/45.
3. PART ACCEPTS M39029/101-553 SOCKET CONTACTS, SIZE 20/20 (SEE TABLE).
4. MOUNTING HARDWARE SEE TABLE.
5. WEIGHT: .0128 LBS (5.81 GRAMS), NOT INCLUDING HARDWARE AND CONTACTS.
6. OPERATING TEMPERATURE: -65° C TO 125° C.

APCD P/N	HARDWARE SUPPLIED	CONTACT PKG SUPPLIED
JRE200100	NO	NO
JRE200101	NO	YES
JRE200110	YES	NO
JRE200111	YES	YES



DIMENSIONS
ANSI Y14.5M
UNITS: INCHES
Pro/E FILE

TOLERANCES
.XX ±0.01
.XXX ±0.005
ANGLES ±2.0°



Amphenol PCD
SPECIFICATION DRAWING

ENGR

S. KONDO 08-JUL-2003

CHKD

APPD

JACK TON 12-28-05

TITLE

RELAY SOCKET,
QUICK-MOUNT, BELOW PANEL,
2-POLE, 5-AMP

ORIGINAL

THIS DOCUMENT CONTAINS
PROPRIETARY INFORMATION WHICH
IS THE CONFIDENTIAL PROPERTY
OF AMPHENOL PCD
PEABODY, MA, USA

K. Stamp 6/12/07

SIZE
A

DWG NO.

JRE200100

REV
A

CODE: 58982

SCALE: NONE

SHEET 1 OF 1