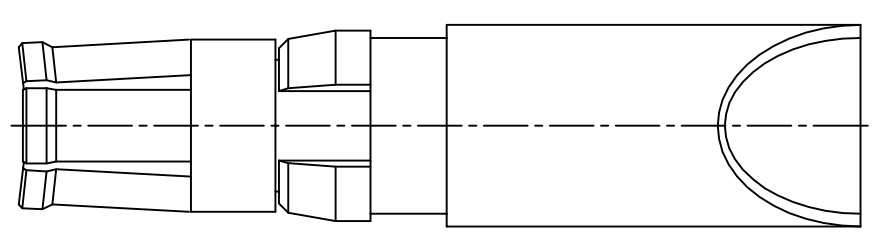
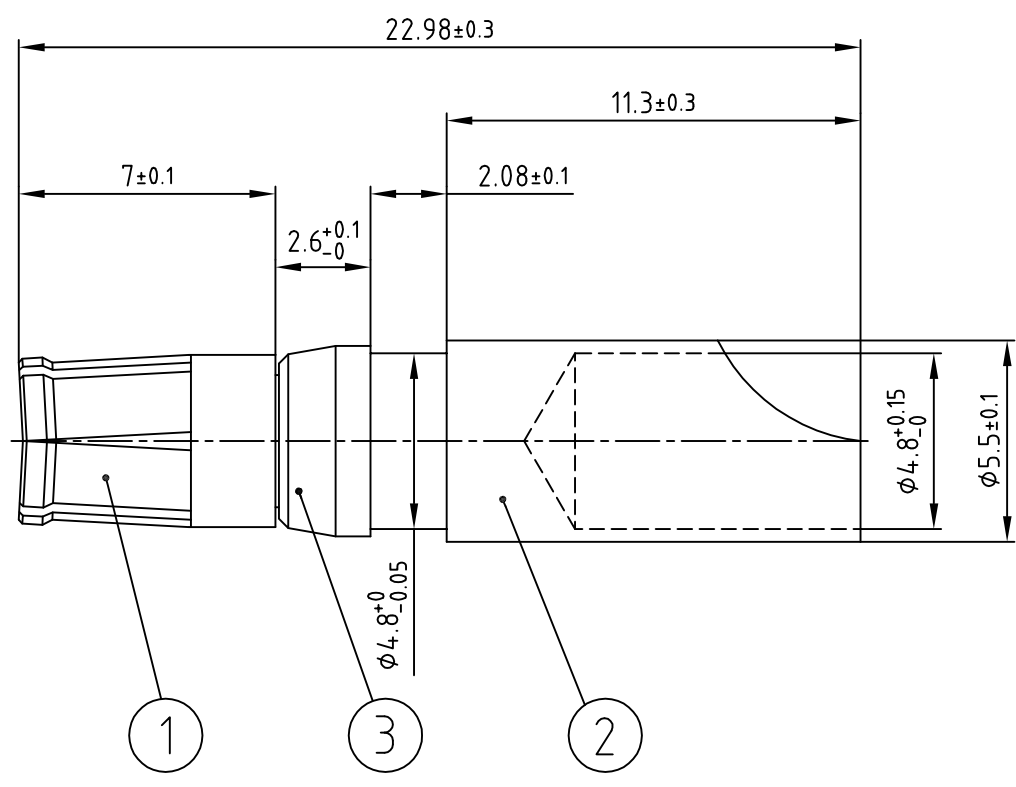


used for: D-SUB COMBINATION



NOTES:

- 1. MATERIAL: COPPER ALLOY
- 2. PLATING:
 - ITEM 1: GOLD FLASH over NICKEL
 - ITEM 2: GOLD FLASH over NICKEL
 - ITEM 3: NICKEL PLATED

Directive 2002/95/EC RoHS compliant

THIS DRAWING MAY NOT BE COPIED OR REPRODUCED IN ANY WAY, AND MAY NOT BE PASSED ON TO A THIRD PARTY WITHOUT WRITTEN PERMISSION.
 OWNERSHIP AND COPYRIGHT OF CONEC GmbH
 DO NOT ALTER CAD DRAWING BY HAND

tolerance					
2011	date	name			
drawn	08.06.	Henneboel			
appd.	08.06.	Koch			
norm					
d-old					
rev.	description	date	name		

scale:	5:1	
material:	SEE NOTES	
title:	HIGH POWER CONTACT FEMALE SOLDER CUP 40A D-SUB COMBINATION	
dwg no:	AutoCAD	DIN-A
	13K2IE6A	4
		sh: 1/1
part no:	132A10049X	

4

3

2

1