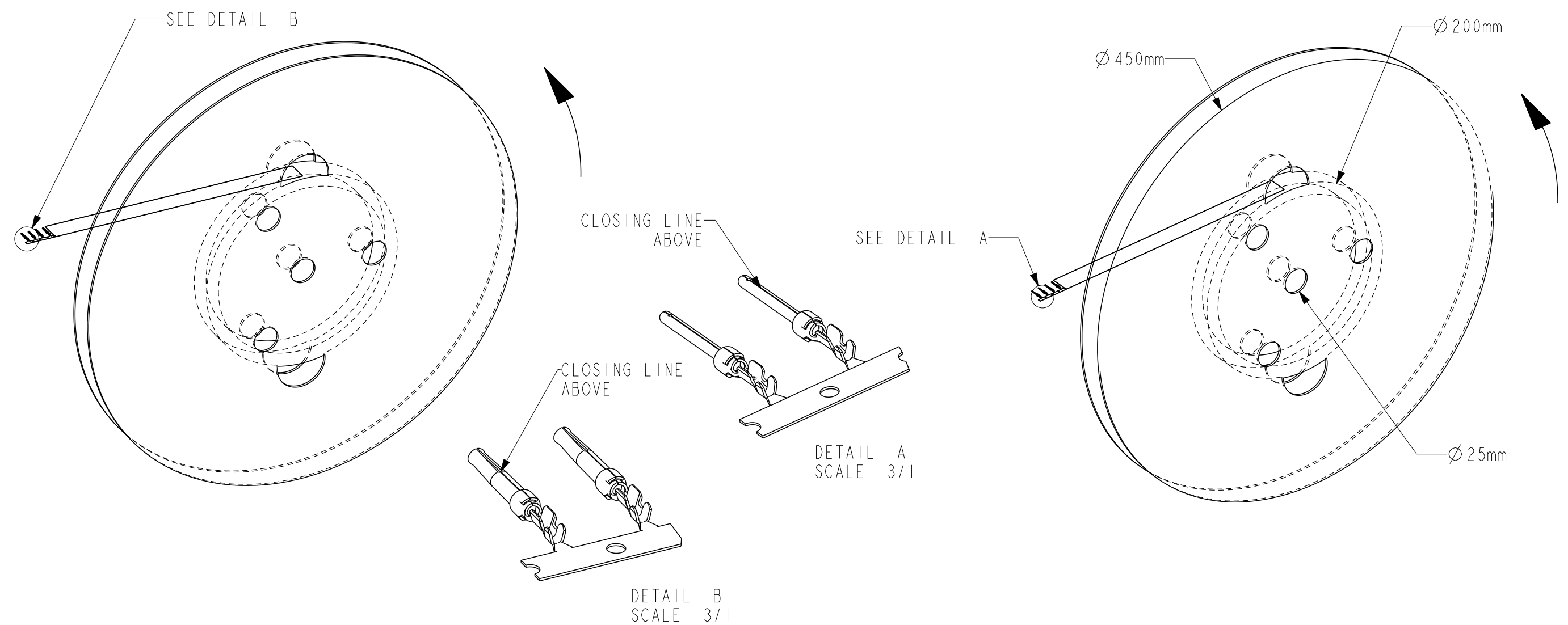


REFERENCE FOR REEL ACCORDING TO FEEDING DIRECTION

GAUGE	REEL OF 5000 FEMALE CONTACTS	GAUGE	REEL OF 5000 PIN CONTACTS
# 24-28	86566510064LF	# 24-28	86564510064LF
# 20-24	86566520064LF	# 20-24	86564520064LF
# 24-28	86566510065LF	# 24-28	86564510065LF
# 20-24	86566520065LF	# 20-24	86564520065LF
# 24-28	86566510067LF	# 24-28	86564510067LF
# 20-24	86566520067LF	# 20-24	86564520067LF



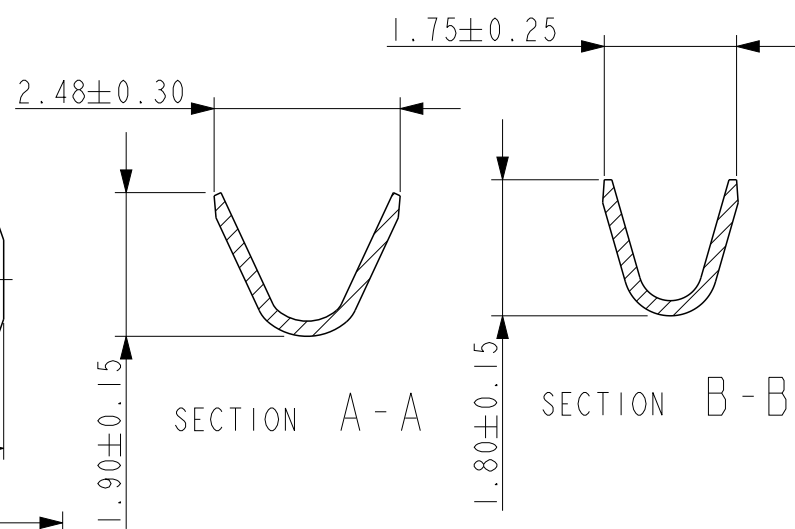
Amphenol FCI
 © 2016 AFCI

NOTE : ROHS INFORMATIONS
 The LF products meet European union directives and other country regulations as described in GS-47-0004
 Terminations plating spec : 1.3um Nickel min + 1.3um Sn min
 Packaging Spec : see GS-14-920

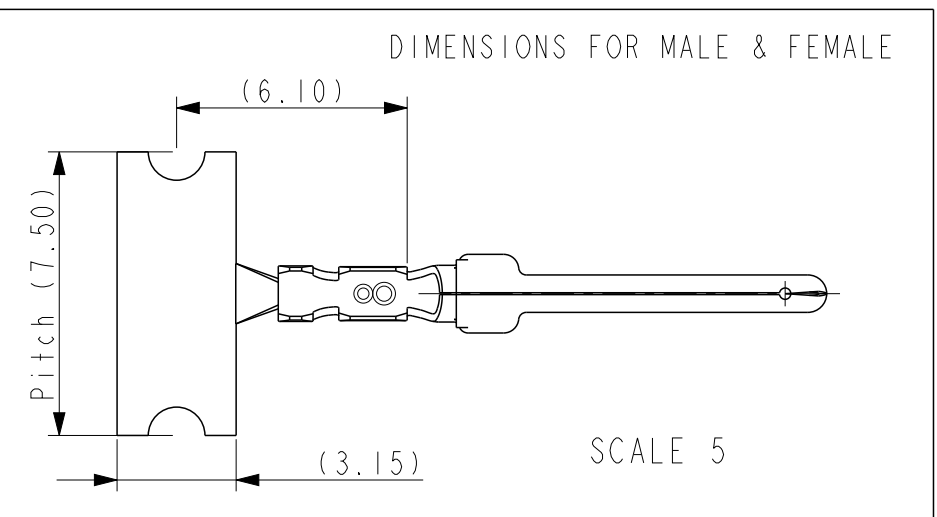
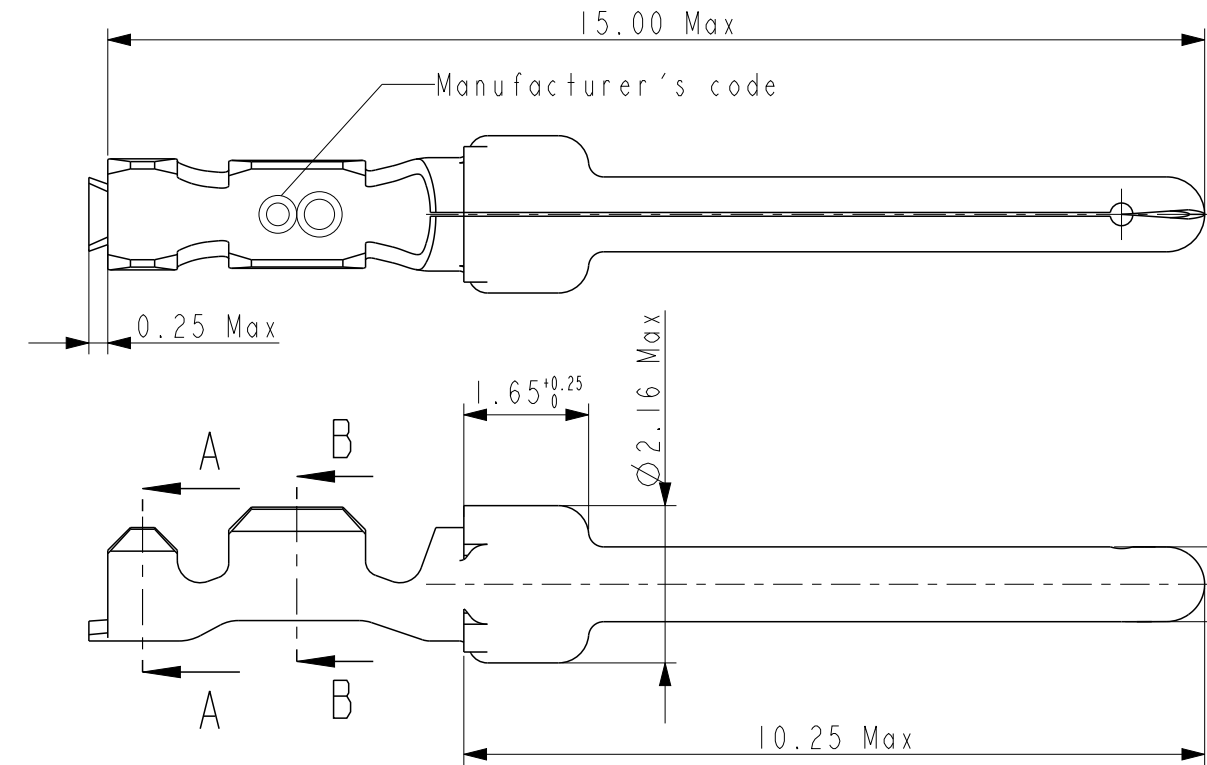
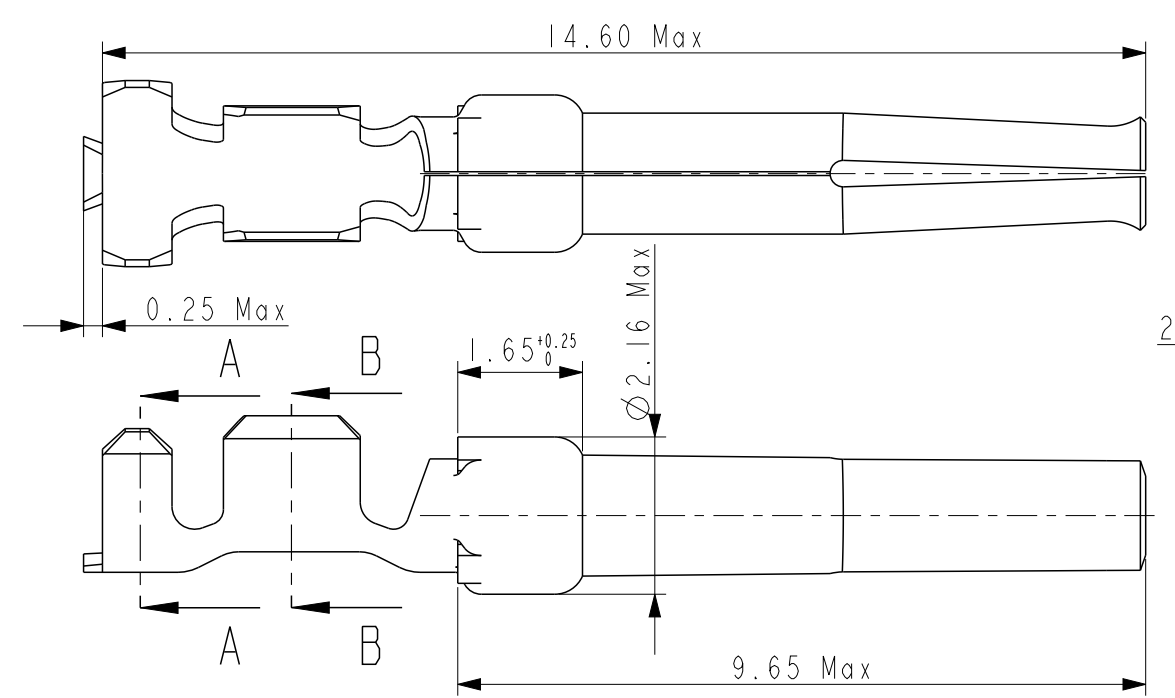
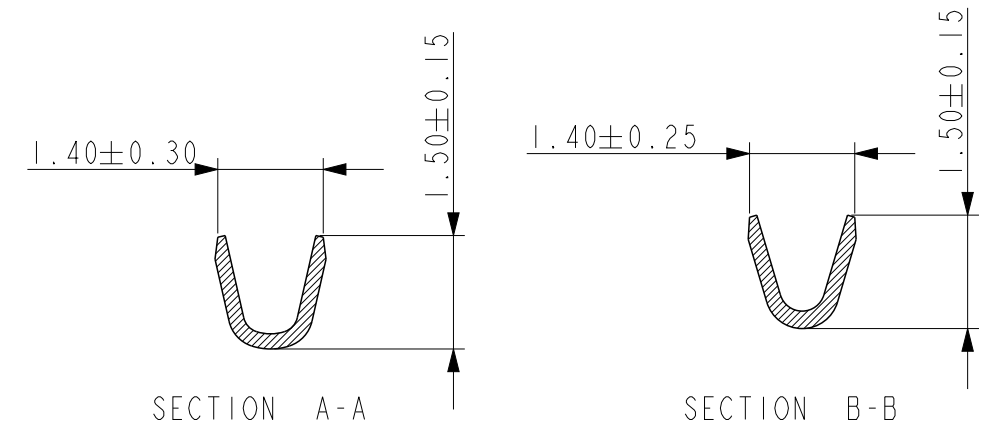
spec ref	-	dr	P-Mathew Nebu	2011/05/17	projection	mm	size	A3	scale	4/15	
tolerance std	ISO 406 ISO 1101	eng	Paul Mithun	2019/03/18			ecn no	ELX-I-32091-1			
TOLERANCES UNLESS OTHERWISE SPECIFIED		chr	-	-			rel level	Released			
surface	linear	appr	K-Paul Biju	2019/03/19	product family	8656	dwg no	C01-8656-1536		rev	L
ISO 1302	angular	Amphenol FCI CRIMP PIN & SOCKET 20-28AWG, 5000 Reel Qty		cat. no.	-	Product - Customer Drw	sheet 1 of 2				

- NOTES
- 1- Material : Phosphor bronze, thickness 0.20
 - 2 -Finish on contact area : termination 064:gold flash
 termination 065:076μ Au / GXT
 termination 067:0,4μ Au / GXT
 finish on termination : Tin over Nickel
 - 3 -Wire range :20 to 28 AWG(see ref sheet 1/2)
 - 4 -Max outer dia of wire insulator:
 -1.52 mm max for contact #20-24
 -1.02 mm max for contact #24-28
 - 5 -Current carrying capacity per contact:
 5 Amps max when crimped to #20 AWG
 5 Amps max when crimped to #22 AWG
 3 Amps max when crimped to #24 AWG
 2 Amps max when crimped to #26 AWG
 1 Amps max when crimped to #28 AWG
 - 6 -After 5 insertions into connector,
 contact retention must be 5 pounds axial load min
 - 7 -When contact is crimped to 20 AWG, the insulation
 support crimped height must be 1.78 mm max to ensure
 a proper insertion into housing.
 - 8-Reel should be continuous without any contacts
 missing in between
 - 9 -Packaging : 5000 Contacts Per Reel

CROSS SECTIONS
FOR CT #20-24



CROSS SECTIONS
FOR CT #24-28



spec ref	-	dr	P-Mathew Nebu	2011/05/17	projection	mm	size	A3	scale	10/1	
tolerance std	ISO 406 ISO 1101	eng	Paul Mithun	2019/03/18			ecn no	ELX-I-32091-1			
TOLERANCES UNLESS OTHERWISE SPECIFIED		chr	-	2019/03/19			product family	8656	rel level	Released	
surface	linear	0.X	±0.3	Amphenol FCI CRIMP PIN & SOCKET 20-28AWG, 5000 Reel Qty	dwg no	C01-8656-1536			rev	L	
		0.XX	±0.1		cat. no.	-	Product - Customer Drw	sheet 2 of 2			
	angular	0°	±2°								