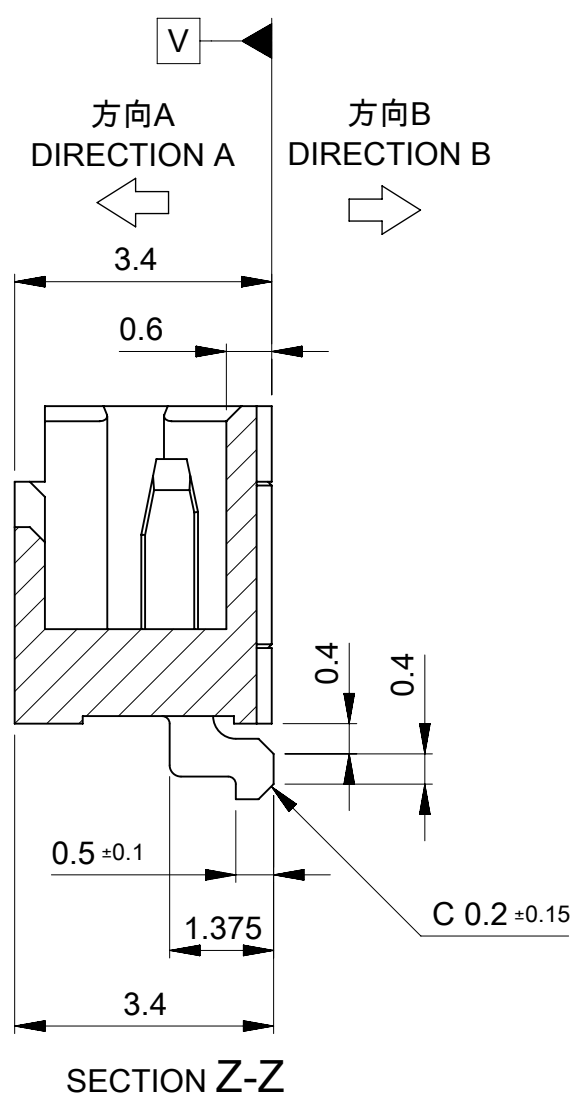


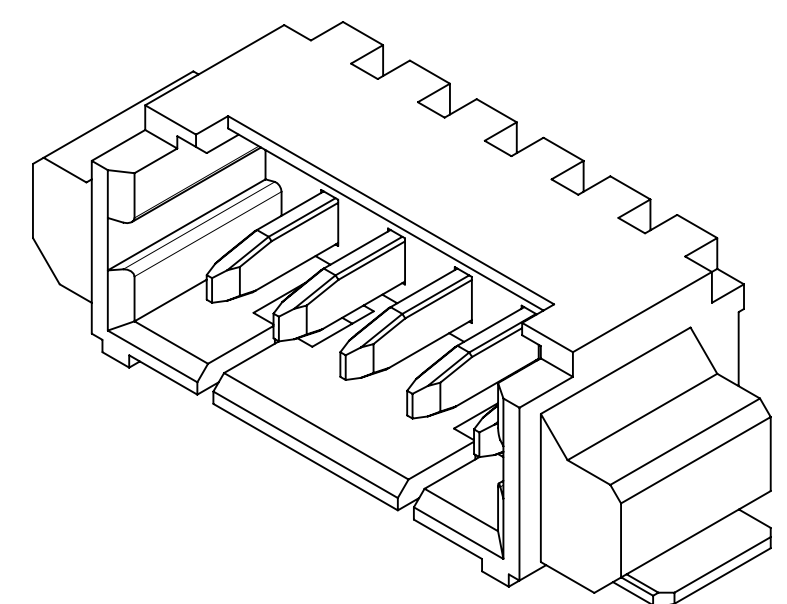
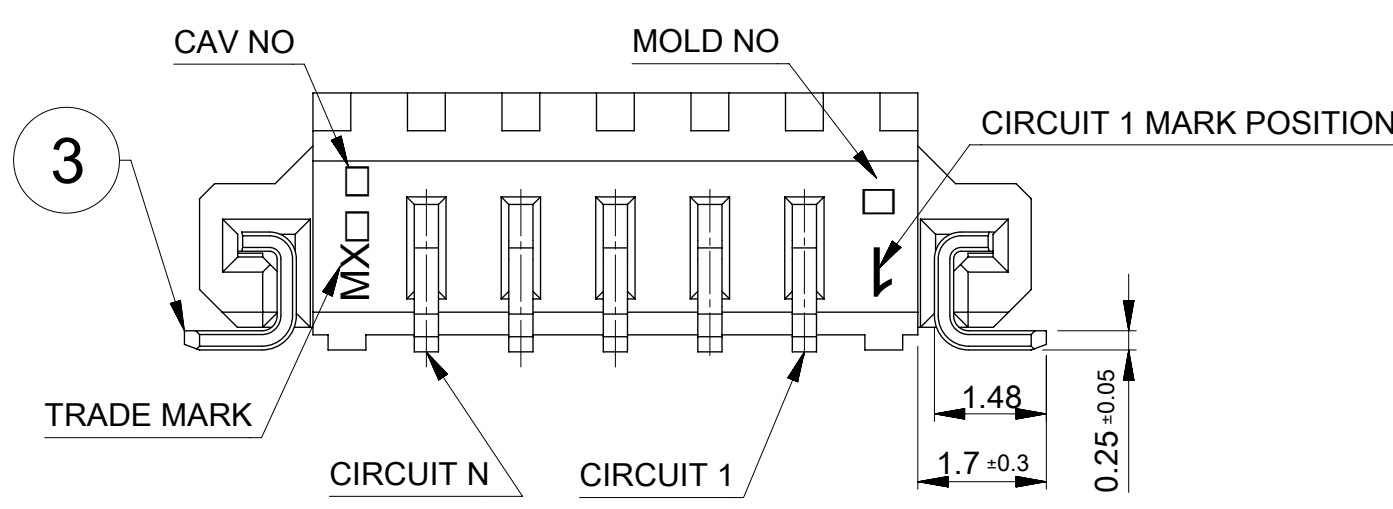
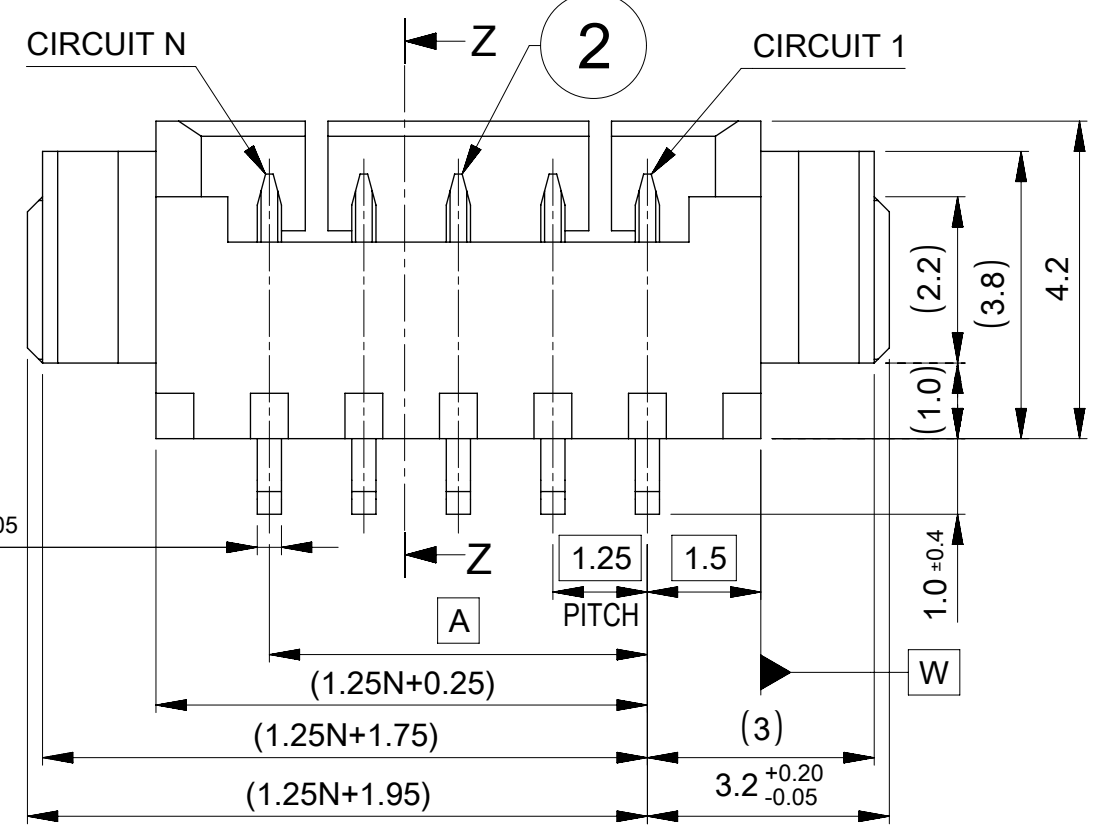
2, 3極形状 (1ロック)
FIGURE OF 2, 3 CIRCUIT (1 LOCK)

4~15極形状 (2ロック)
FIGURE OF 4-15 CIRCUIT (2 LOCKS)



NOTES

- 材料およびめっき仕様: TABLE 1 参照
MATERIAL AND PLATING: REFER TO TABLE 1
- 適用製品及び各種仕様書はSHEET 4を参照のこと
REFER TO SHEET 4 ABOUT APPLICABLE PRODUCTS AND VARIOUS SPECIFICATIONS
- 梱包形態: SHEET 3 参照
PACKAGING INFORMATION: SEE SHEET 3
- テールおよびネイルのズレは基準面 V に対しA方向に0.05 MAX、B方向に0.1 MAX
MISALIGNMENT OF TAILS AND NAILS FROM V, DIRECTION A: 0.05 MAX, DIRECTION B: 0.1 MAX
- 端子テール部およびネイルの平坦度は0.1以下
COPLANARITY OF TAIL AND NAIL TO BE 0.1 MAX
- 本製品は金めっき品です。錫めっき品はSD-53261-023/024をご参照ください
THIS PRODUCT IS GOLD PLATING TYPE. PLEASE REFER TO SD-53261-023/024 FOR TIN PLATING TYPE.



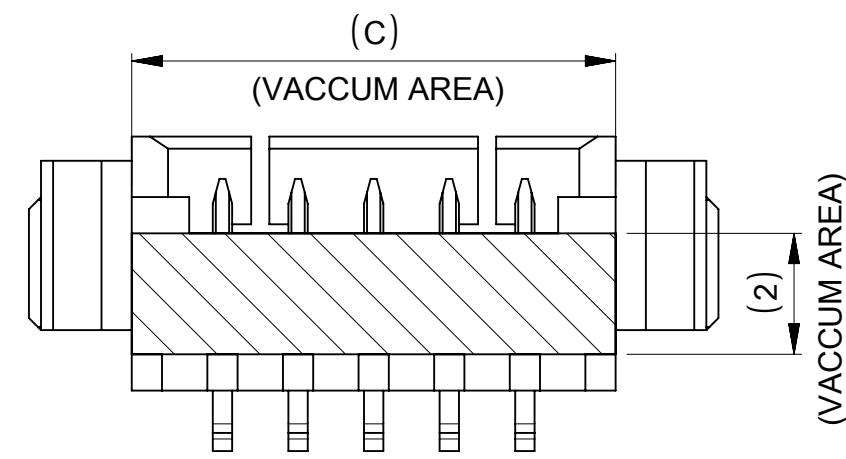
23.9	23.5	20.5	19.3	17.5	15
22.65	22.25	19.25	18.05	16.25	14
21.4	21	18	16.8	15	13
20.15	19.75	16.75	15.55	13.75	12
18.9	18.5	15.5	14.3	12.5	11
17.65	17.25	14.25	13.05	11.25	10
16.4	16	13	11.8	10	9
15.15	14.75	11.75	10.55	8.75	8
13.9	13.5	10.5	9.3	7.5	7
12.65	12.25	9.25	8.05	6.25	6
11.4	11	8	6.8	5	5
10.15	9.75	6.75	5.55	3.75	4
8.9	8.5	5.5	4.3	2.5	3
7.65	7.25	4.25	3.05	1.25	2
E	D	C	B	A	極数 CIRCUIT SIZE

TABLE 1

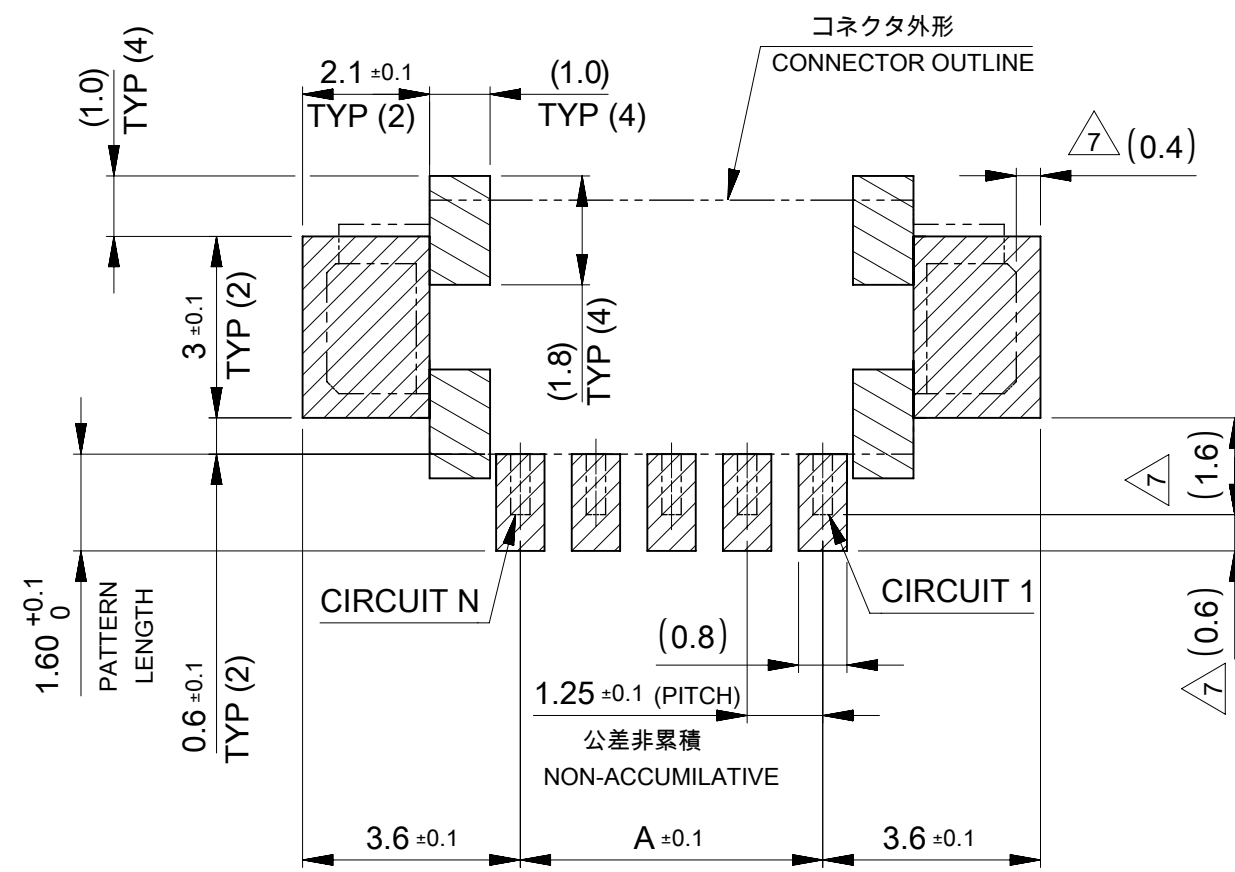
番号 NO.	部品 PART	材質 MATERIAL	
①	ハウジング HOUSING	ポリアミド(PA), UL94V-0, GLASS-FILLED, 色: ナチュラル(ベージュ) POLYAMIDE(PA), UL94V-0, GLASS-FILLED, COLOR: NATURAL (BEIGE)	
②	ターミナル TERMINAL	母材 MATERIAL	りん青銅 PHOSPHOR BRONZE
		コンタクト部 CONTACT AREA	金めっき: めっき厚は注記12参照 GOLD PLATING PLATING THICKNESS: SEE NOTE 12.
		テール部 TAIL AREA	無光沢錫めっき 1.0 micro-meters MIN MATTE TIN PLATING 1.0 micro-meters MIN
③	ネイル NAIL	母材 MATERIAL	りん青銅 PHOSPHOR BRONZE
		テール部 TAIL AREA	無光沢錫めっき 1.0 micro-meters MIN MATTE TIN PLATING 1.0 micro-meters MIN
		下地めっき UNDER PLATING	ニッケルめっき 1.0 micro-meters MIN NICKEL PLATING 1.0 micro-meters MIN

THIS DRAWING CONTAINS INFORMATION THAT IS PROPRIETARY TO MOLEX ELECTRONIC TECHNOLOGIES, LLC AND SHOULD NOT BE USED WITHOUT WRITTEN PERMISSION

DIMENSION UNITS	SCALE	CURRENT REV DESC:	molex					
mm	NTS							
GENERAL TOLERANCES (UNLESS SPECIFIED)			PICOBLADE 1.25 HEADER ASSY SMT RIGHT ANGLE GOLD PLATING TYPE					
ANGULAR TOL $\pm 3.0^\circ$								
4 PLACES	± 0.2	EC NO: 643451	PRODUCT CUSTOMER DRAWING					
3 PLACES	± 0.2	DRWN: SOBARA01 2019/04/08						
2 PLACES	± 0.2	CHK'D: SAKIYAMA 2021/05/27	DOCUMENT NUMBER					
1 PLACE	± 0.2	APPR: KOMURAKAMI 2021/05/27						
0 PLACES	± 0.2	INITIAL REVISION:	532610000-SD					
DRAFT WHERE APPLICABLE MUST REMAIN WITHIN DIMENSIONS								
THIRD ANGLE PROJECTION		DRAWING	SERIES	MATERIAL NUMBER	CUSTOMER	DOC TYPE	DOC PART	REVISION
		A2-SIZE	53261	SEE CHART OF SHEET3	GENERAL	PSD	000	C
SHEET NUMBER			1 OF 4					



吸着エリア
VACCUM AREA

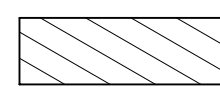


推奨基板レイアウト (実装面側)

RECOMMENDED P.C.B LAYOUT : COMPONENT SIDE

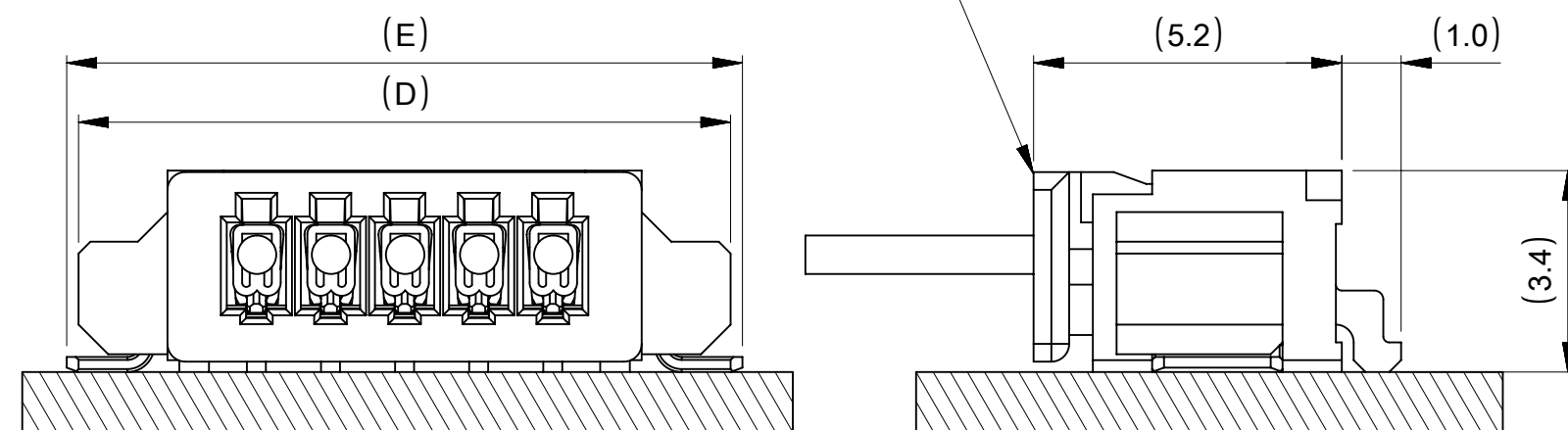
(参考 : 基板厚 1.0mm, メタルマスク厚さ: 0.15mm, マスク開口率: 100%)

(REFERENCE : P.C.B THICKNESS 1.0mm, STENCIL THICKNESS: 0.15mm, APERTURE: 100%)



: パターンおよびはんだ禁止エリア
RESTRICTED AREA
NO PCB COMPONENTS AND SOLDER ALLOWED

嵌合相手: 51021 シリーズ
MATE WITH: 51021 SERIES

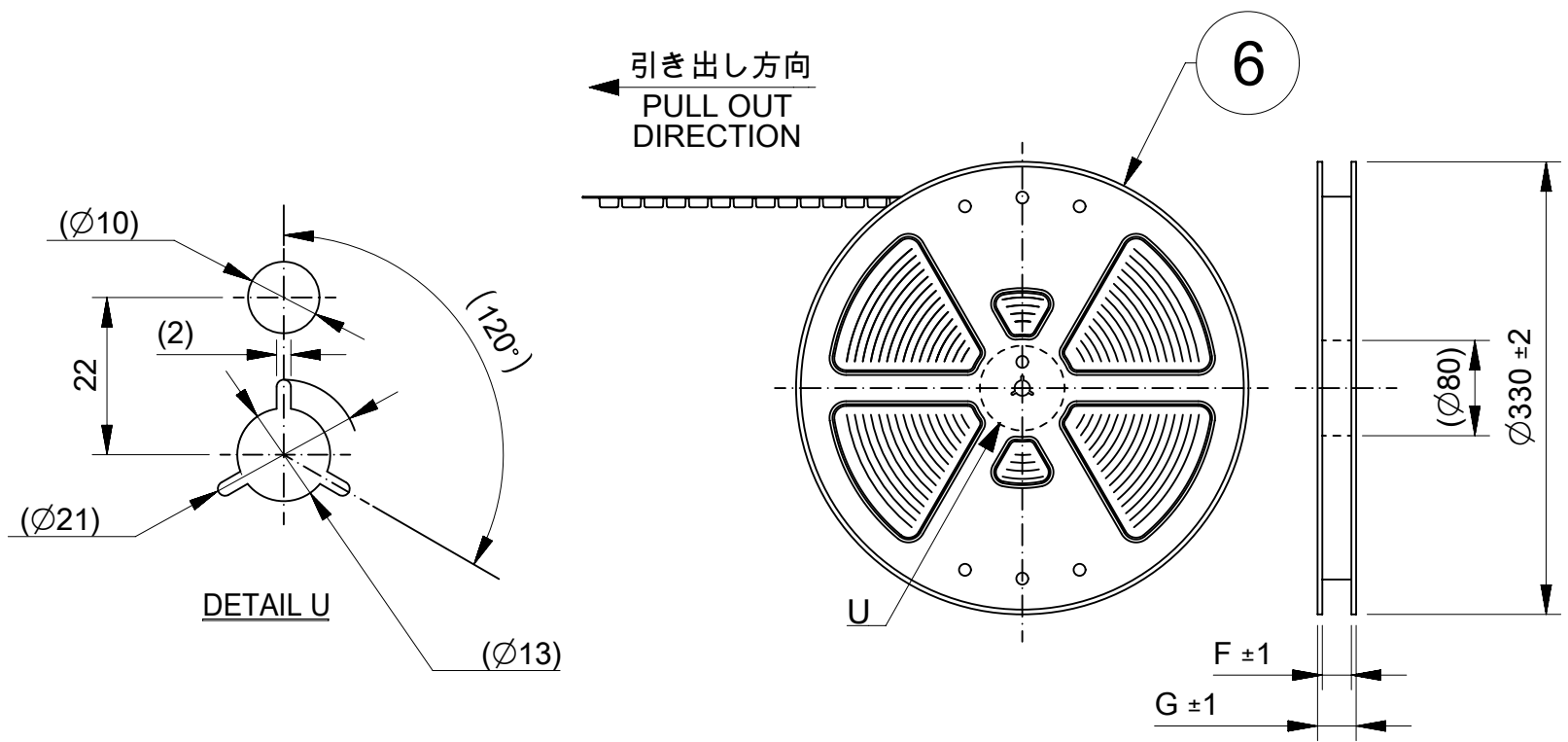


嵌合図
MATED CONNECTOR

NOTES

△ コンネクタ外形からパッドまでの寸法を示す。
DIMENSIONS FROM CONNECTOR OUTLINE TO PAD

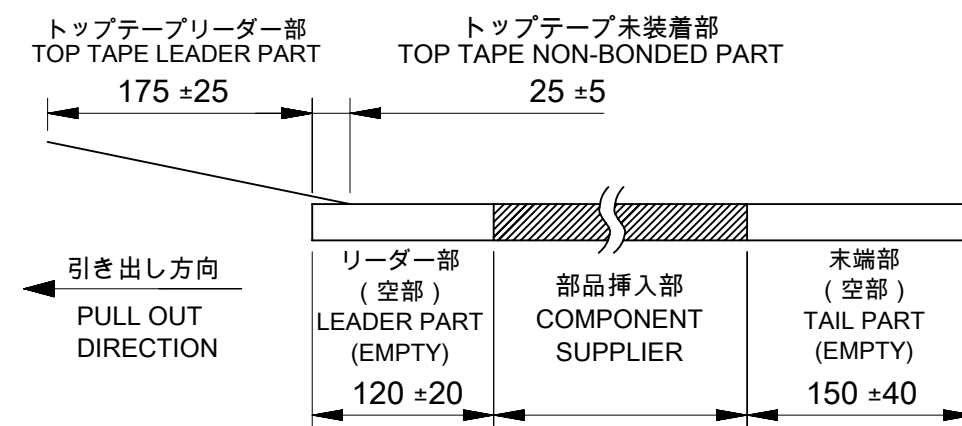
THIS DRAWING CONTAINS INFORMATION THAT IS PROPRIETARY TO MOLEX ELECTRONIC TECHNOLOGIES, LLC AND SHOULD NOT BE USED WITHOUT WRITTEN PERMISSION									
DIMENSION UNITS	SCALE	CURRENT REV DESC:							
mm	NTS								
GENERAL TOLERANCES (UNLESS SPECIFIED)					PICOBLADE 1.25 HEADER ASSY SMT RIGHT ANGLE GOLD PLATING TYPE				
ANGULAR TOL	± 3.0°	EC NO: 643451							
4 PLACES	± 0.2	DRWN: SOBARA01	2019/04/08	PRODUCT CUSTOMER DRAWING					
3 PLACES	± 0.2	CHK'D: SAKIYAMA	2021/05/27						
2 PLACES	± 0.2	APPR: KOMURAKAMI	2021/05/27	532610000-SD					
1 PLACE	± 0.2	INITIAL REVISION:							
0 PLACES	± 0.2	DRWN: SOBARA01	2018/09/13	DOCUMENT NUMBER	DOC TYPE	DOC PART	REVISION		
DRAFT WHERE APPLICABLE MUST REMAIN WITHIN DIMENSIONS		THIRD ANGLE PROJECTION	DRAWING	SERIES	MATERIAL NUMBER	CUSTOMER	SHEET NUMBER		
			A2-SIZE	53261	SEE CHART OF SHEET3	GENERAL	2 OF 4		



注釈 NOTE

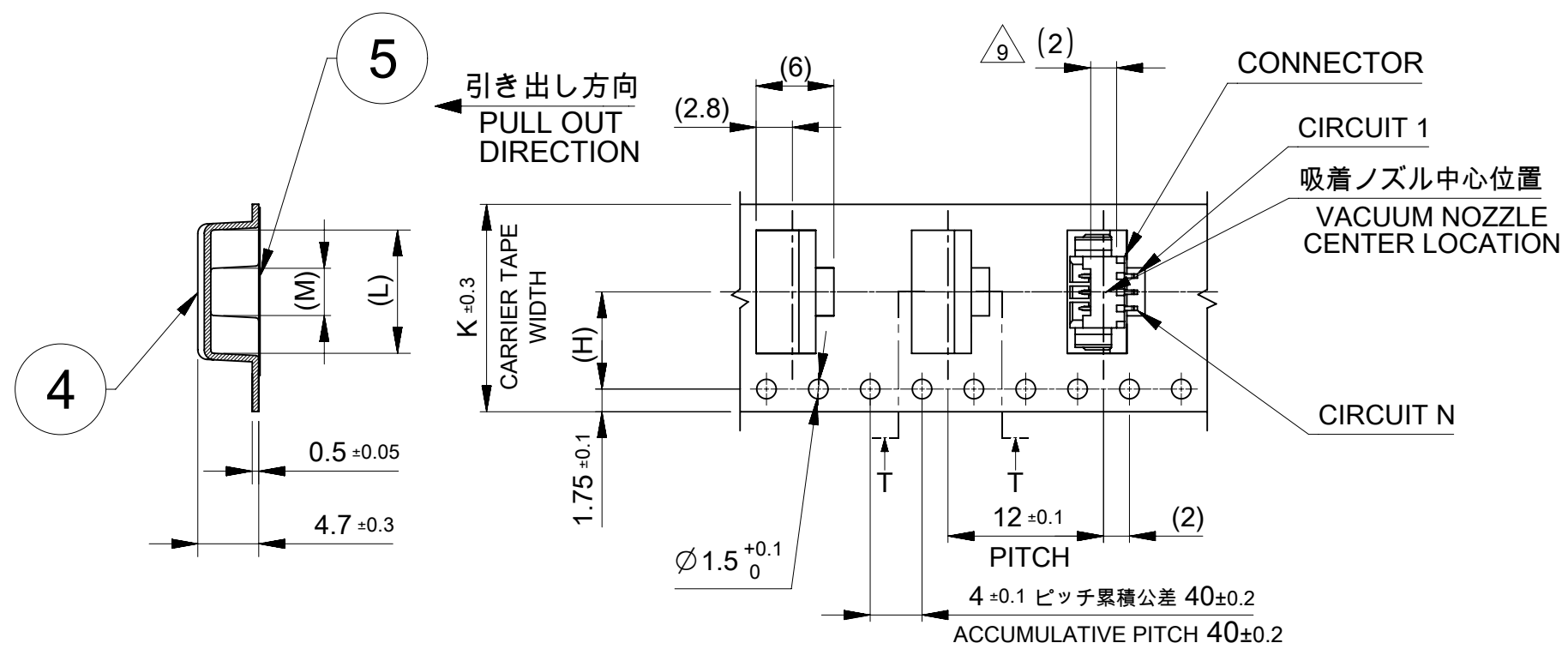
- △8 材料: TABLE 2参照
MATERIAL: REFER TO TABLE 2
- △9 コネクタハウジング平面部
CONNECTOR HOUSING FLAT AREA.
- 10. トップテープの剥離強度はIEC 60286-3に準拠。
TOP TAPE PEELING FORCE IS DEFINED BY IEC 60286-3.
- 11. 本製品は乾燥剤入りハイバリア梱包仕様である。
THIS PRODUCT IS HIGH BARRIER PACKAGE WITH DESICCANT.
- 12. 梱包数量: 1000個/リール
NUMBER OF CONNECTOR: 1000PCS/REEL

13. リードテープ長さ LEAD TAPE LENGTH

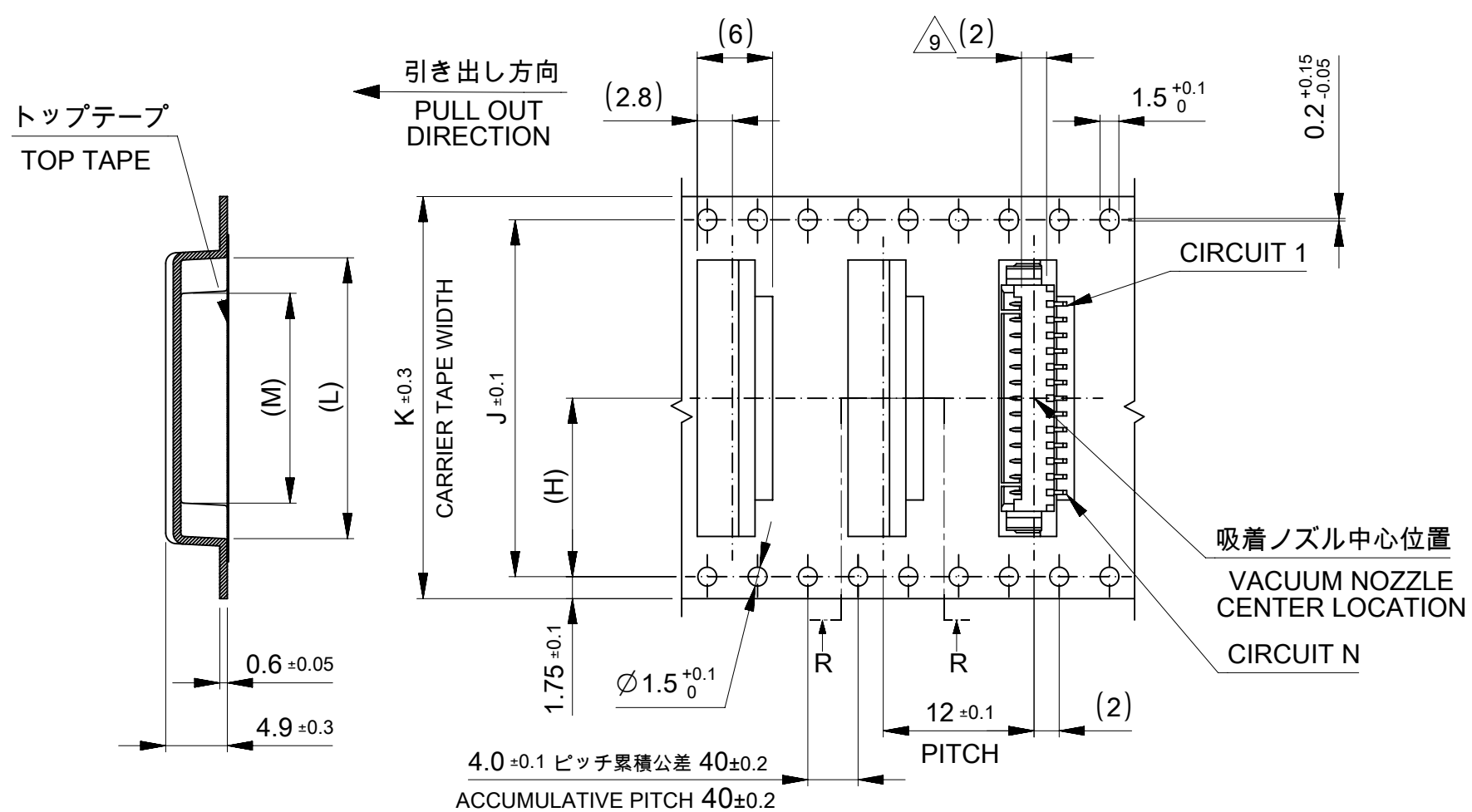


△8 TABLE2

番号 NO.	部品 PART	材質 MATERIAL
④	エンボステープ EMBOSSED TAPE	ポリプロピレン(PP) POLYPROPYLENE(PP)
⑤	トップテープ TOP TAPE	ポリエチレンフラノエート (PEF)、その他 POLYETHYLENE (PEF), ETC
⑥	リール REEL	ポリスチレン(PS) <リサイクル材を含む> POLYSTYRENE(PS) < RECYCLE MATERIAL CONTAINED >



16mm幅(2~3極用)および24mm幅(4~10極用)キャリアテープ
16mm (FOR 2~3 CIRCUIT) OR 24mm (FOR 4~10 CIRCUIT) WIDTH CARRIER TAPE



32mm幅(11~13極用)および44mm幅(14~15極用)キャリアテープ
32mm (FOR 11~13 CIRCUIT) OR 44mm (FOR 14~15 CIRCUIT) WIDTH CARRIER TAPE

△14 発注番号
ORDER NUMBER
53261*0**

番号	接点部 金めっき厚 CONTACT GOLD PLATING THICKNESS
4	FLASH
7	0.38 micro-meters MIN

532617015	532614015	15
532617014	532614014	14
532617013	532614013	13
532617012	532614012	12
532617011	532614011	11
532617010	532614010	10
532617009	532614009	9
532617008	532614008	8
532617007	532614007	7
532617006	532614006	6
532617005	532614005	5
532617004	532614004	4
532617003	532614003	3
532617002	532614002	2
GOLD PLATING THICKNESS 0.38micro-meters MIN	GOLD PLATING THICKNESS FLASH	極数 CIRCUIT
発注番号 ORDER NO. △14		
梱包形態: エンボス梱包 PACKAGING: EMBOSSED TAPE AND REEL		


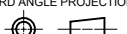
18.7	24.5	42	40.4	20.2	49.4	45.4	15
17.45	23.25						14
16.2	22	32	28.4	14.2	37.4	33.4	13
14.95	20.75						12
13.7	19.5	24	-	11.5	29.4	25.4	11
12.45	18.25						10
11.2	17	16	-	7.5	21.4	17.4	9
9.95	15.75						8
8.7	14.5	16	-	7.5	21.4	17.4	7
7.45	13.25						6
6.2	12	16	-	7.5	21.4	17.4	5
4.95	10.75						4
3.7	9.5	16	-	7.5	21.4	17.4	3
2.45	8.25						2
M	L	キャリアテープ幅 K CARRIER TAPE WIDTH G	J	H	G	F	極数 CIRCUIT

THIS DRAWING CONTAINS INFORMATION THAT IS PROPRIETARY TO MOLEX ELECTRONIC TECHNOLOGIES, LLC AND SHOULD NOT BE USED WITHOUT WRITTEN PERMISSION

DIMENSION UNITS	SCALE	CURRENT REV DESC:
mm	NTS	
GENERAL TOLERANCES (UNLESS SPECIFIED)		
ANGULAR TOL	± 3.0°	
4 PLACES	± 0.2	EC NO: 643451
3 PLACES	± 0.2	DRWN: SOBARA01 2019/04/08
2 PLACES	± 0.2	CHK'D: SAKIYAMA 2021/05/27
1 PLACE	± 0.2	APPR: KOMURAKAMI 2021/05/27
0 PLACES	± 0.2	INITIAL REVISION:
		DRWN: SOBARA01 2018/09/13
		APPR: TKANEKO 2018/09/28
DRAFT WHERE APPLICABLE MUST REMAIN WITHIN DIMENSIONS	THIRD ANGLE PROJECTION	DRAWING SERIES
		A2-SIZE 53261
DOCUMENT NUMBER	DOC TYPE	DOC PART
532610000-SD	PSD	000
MATERIAL NUMBER	CUSTOMER	REVISION
SEE CHART OF SHEET3	GENERAL	C
SHEET NUMBER		
3 OF 4		

△₂ 適合製品および各種仕様書
 APPLICABLE PRODUCTS AND SPECIFICATIONS

梱包仕様書 PACKING SPECIFICATION	PART NUMBER		SPECIFICATION NUMBER	
	53261****		SPK-53261-002	
適合嵌合相手 MATE WITH	HOUSING	CRIMP TERMINAL		
		WIRE SIZE (AWG)	GOLD PLATING THICKNESS	PART NUMBER
	51021****	#28-32	FLASH	500588020
			0.38 micro-meters	500588025
	#26-28	FLASH	500798020	
0.38 micro-meters		500798025		
製品仕様書 PRODUCT SPECIFICATION	510210001-PS PS 000			
アプリケーション仕様書 (取扱説明書) APPLICATION SPECIFICATION	510210000-AS PS 000			

THIS DRAWING CONTAINS INFORMATION THAT IS PROPRIETARY TO MOLEX ELECTRONIC TECHNOLOGIES, LLC AND SHOULD NOT BE USED WITHOUT WRITTEN PERMISSION									
DIMENSION UNITS	SCALE	CURRENT REV DESC:			 PICOBLADE 1.25 HEADER ASSY SMT RIGHT ANGLE GOLD PLATING TYPE PRODUCT CUSTOMER DRAWING				
mm	NTS								
GENERAL TOLERANCES (UNLESS SPECIFIED)		EC NO: 643451			DOCUMENT NUMBER				
ANGULAR TOL	± 3.0 °	DRWN: SOBARA01			532610000-SD				
4 PLACES	± 0.2	CHK'D: SAKIYAMA			PSD 000 C				
3 PLACES	± 0.2	APPR: KOMURAKAMI			DOC TYPE				
2 PLACES	± 0.2	INITIAL REVISION:			DOC PART				
1 PLACE	± 0.2	DRWN: SOBARA01			REVISION				
0 PLACES	± 0.2	APPR: TKANEKO			4 OF 4				
DRAFT WHERE APPLICABLE MUST REMAIN WITHIN DIMENSIONS		THIRD ANGLE PROJECTION	DRAWING	SERIES	MATERIAL NUMBER	CUSTOMER	SHEET NUMBER		
			A3-SIZE	53261		GENERAL	4 OF 4		