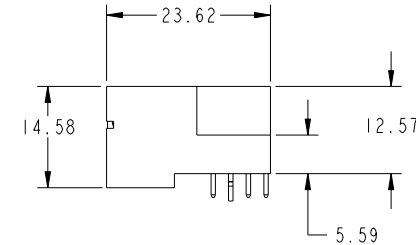
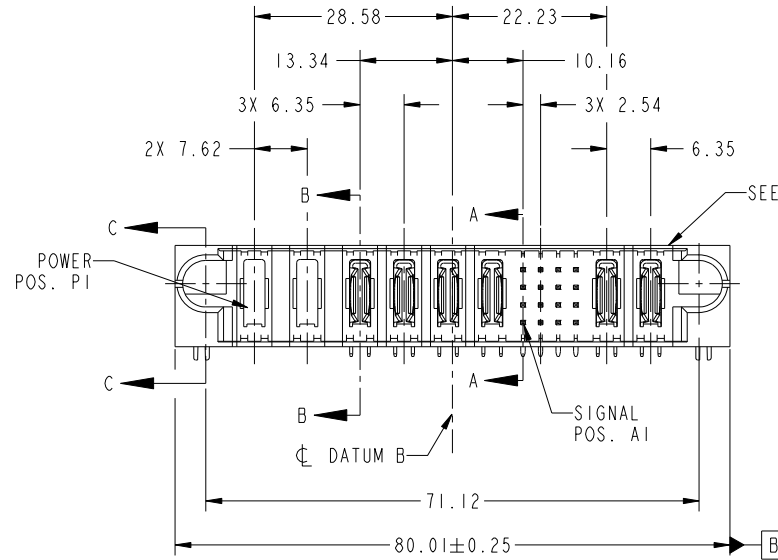
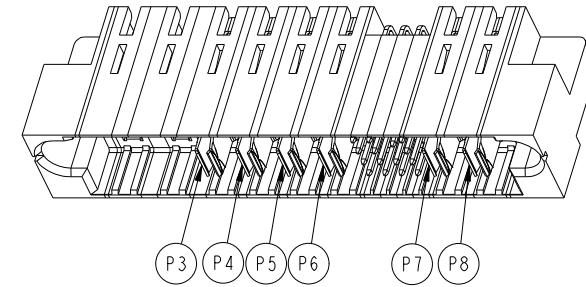


Tous droits strictement reserves. Reproduction ou communication a des tiers interdite sous quelque forme que ce soit sans autorisation écrite du propriétaire. Propriete de c FCI. Droits de reproduction FCI.

All rights strictly reserved. Reproduction or issue to third parties in any form whatever is not permitted without written authority from the proprietor. Property of FCI. Copyright FCI.



PRODUCT NO.	ROWS	POWER								SIGNAL				POWER	
		E1	P1	P2	P3	P4	P5	P6	1	2	3	4	P7	P8	E2
51939-401... NOTE 3	D C B A		X	X	PA	PA	PA	PA	U	U	U	U	PA	PA	



CODE	DIM "M" MATING LENGTH	DIM "W" MIN WIPE LENGTH	CONTACT TYPE
S	6.86	3.86	SIGNAL
PA	N/A	N/A	POWER
HA	N/A	N/A	HOLD-DOWN
G	5.59	2.59	SIGNAL
H	5.59	2.59	SIGNAL
R	6.86	3.86	SIGNAL
T	6.86	3.86	SIGNAL
U	6.86	3.86	SIGNAL
X	OMITTED		

mat'l code				SEE NOTE		tolerances unless otherwise specified		CUSTOMER	
ltr	ecn no.	dr	date	linear	0.X ± 0.5	COPY		FCI	
A	DG08-0344	WD	12/16/08		0.XX ± 0.25	projection		www.fciconnect.com	
				angles	0.XXX ± 0.10	MIM		title	
				dr	0° ± 2°	scale		6P + 16S + 2P	
				enr	Warren Du 12/08/08	1:1		RIGHT ANGLE SOLDER HEADER	
				chr	Warren Du 12/08/08			product family	
				appd	Gary Hsieh 12/08/08			PwrBlade	
					JOSEPH HSIA 12/08/08			code	
sheet index	revision sheet	A	A	A	A			213	
		1	2	3	4			size	
								dwg no	
								A	
								51939-401	
								sheet	
								1 of 4	

**CONFIDENTIAL**

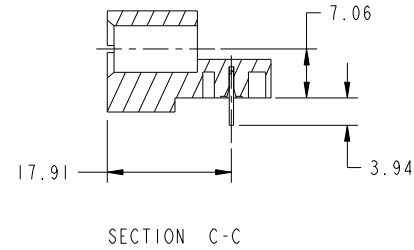
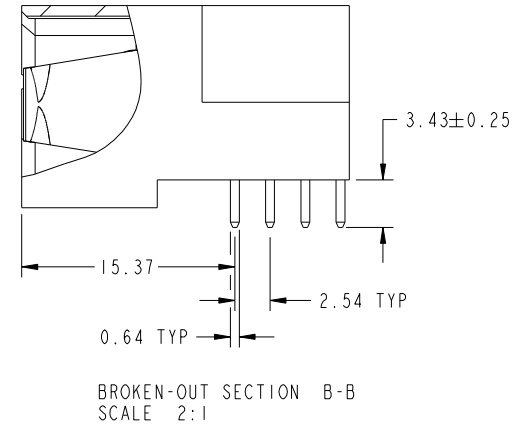
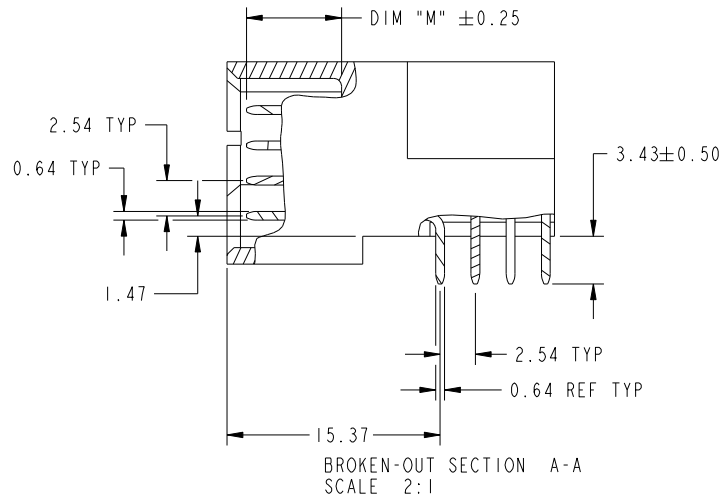
cage code 22526

Tous droits strictement reserves. Reproduction ou communication a des tiers interdite sous quelque forme que ce soit sans autorisation écrite du propriétaire. Propriete de c FCI. Droits de reproduction FCI.

All rights strictly reserved. Reproduction or issue to third parties in any form whatever is not permitted without written authority from the proprietor. Property of FCI. Copyright FCI.



PRODUCT NUMBER  
51939-401\_\_  
NOTE: 3



CONFIDENTIAL

mat'l code				SEE NOTE		tolerances unless otherwise specified		CUSTOMER		FCI	
ltr	ecn no.	dr	date	linear	0.X ±0.3	COPY		projection		www.fciconnect.com	
A					0.XX ±0.13	MIM		title		6P + 16S + 2P	
				angles	0.XXX ±0.051	1:1		product family		PwrBlade	
				dr	0° ±2°	scale		size		code	
				enr	Warren Du 12/08/08	A		dwg no		213	
				chr	Warren Du 12/08/08	A		51939-401		sheet	
				appd	Gary Hsieh 12/08/08	A		2 of 4			
					JOSEPH HSIA 12/08/08						
sheet index	revision sheet										

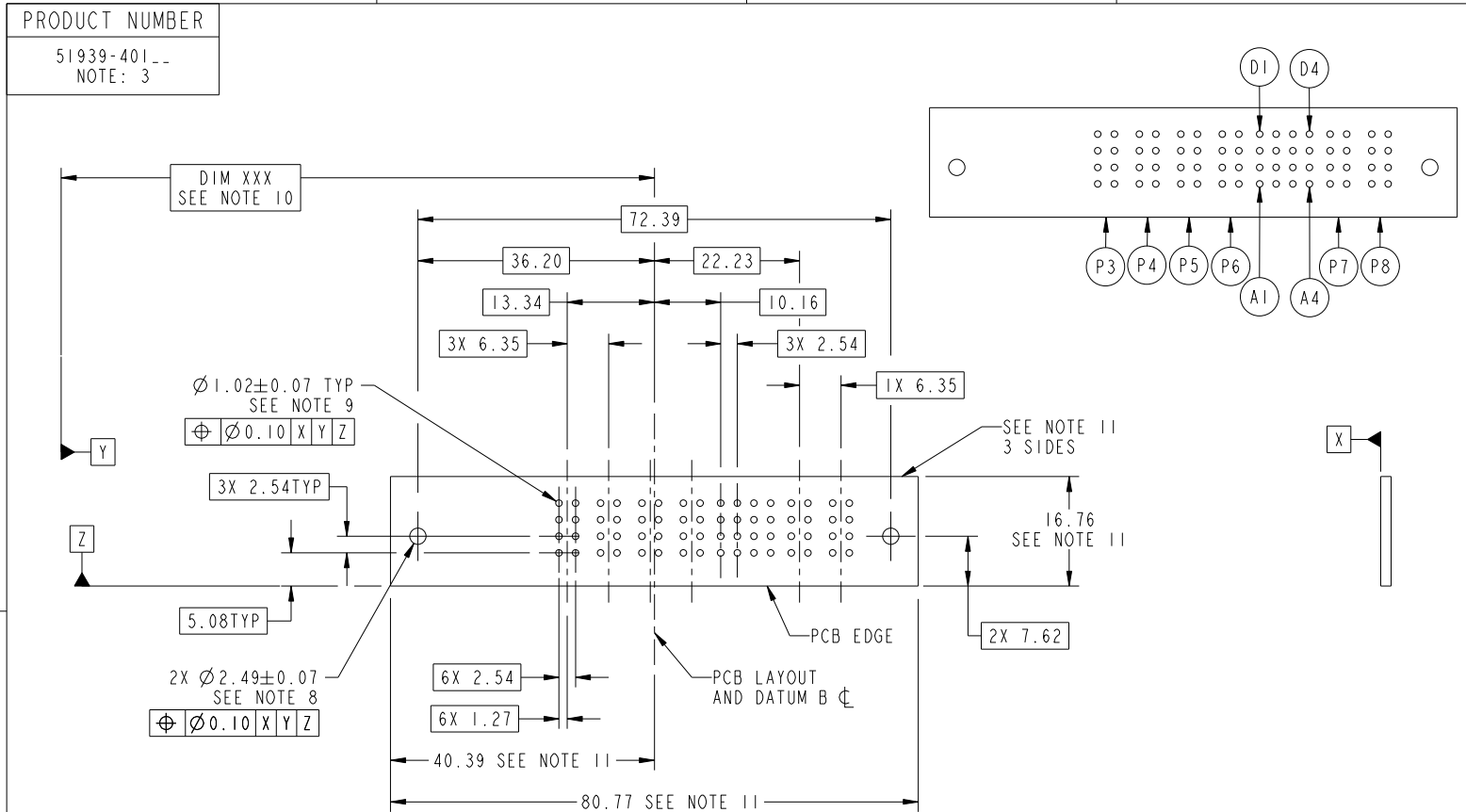
cage code 22526

Pro/E

Tous droits strictement reserves. Reproduction ou communication a des tiers interdite sous quelque forme que ce soit sans autorisation ecrite du proprietaire. Propriete de c FCI. Droits de reproduction FCI.



All rights strictly reserved. Reproduction or issue to third parties in any form whatever is not permitted without written authority from the proprietor. Property of FCI. Copyright FCI.



RECOMMENDED PCB LAYOUT

CONFIDENTIAL

mat'l code		SEE NOTE		tolerances unless otherwise specified		CUSTOMER		FCI	
ltr	ecn no.	dr	date	linear	0.X ±0.3	COPY		www.fciconnect.com	
A					0.XX ±0.13	projection		title	
				angles	0.XXX ±0.051			6P + 16S + 2P RIGHT ANGLE SOLDER HEADER	
				dr	Warren Du 12/08/08	MIM		product family PwrBlade code	
				enr	Warren Du 12/08/08			size 213	
				chr	Gary Hsieh 12/08/08	scale		dwg no 51939-401 sheet	
				appd	JOSEPH HSIA 12/08/08	1:1		3 of 4	
sheet index	revision sheet								

cage code 22526

Pro/E

Tous droits strictement reserves. Reproduction ou communication a des tiers interdite sous quelque forme que ce soit sans autorisation écrite du propriétaire. Propriete de c FCI. Droits de reproduction FCI.

All rights strictly reserved. Reproduction or issue to third parties in any form whatever is not permitted without written authority from the proprietor. Property of FCI. Copyright FCI.



PRODUCT NUMBER  
51939-401\_\_  
NOTE: 3

NOTES:

1. DIMENSIONS AND TOLERANCES ARE IN ACCORDANCE WITH ASME Y14.5M, 1994 UNLESS OTHERWISE SPECIFIED.

CONNECTOR NOTES:

- 2. HOUSING MATERIAL: UL 94 V-0 GLASS FILLED HIGH-TEMP THERMOPLASTIC  
POWER CONTACT MATERIAL: COPPER ALLOY  
SIGNAL PIN MATERIAL: COPPER ALLOY
  - 3. SEE ITEM 1 & 2 IN PRINT 10064183 FOR PLATING SPEC OF 51939-401; 51939-401LF PRESPECTIVELY
  - 4. MANUFACTURER'S NAME, P/N, AND DATE CODE TO APPEAR ON THIS SURFACE.
  - 5. PRODUCT SPECIFICATION GS-12-149.  
APPLICATION SPECIFICATION BUS-20-067.
  - 6. PACKAGED IN TRAYS.
- PCB NOTES:
- 7. ALL HOLE DIAMETERS ARE FINISHED HOLE SIZE.

- 8. MOUNTING HOLES, WHERE APPLICABLE, ARE UNPLATED.
- 9.  $\varnothing 1.151 \pm 0.025$  DRILLED HOLES PLATED WITH  
0.008 MIN SnPb OR Sn OVER 0.03  
TO 0.08 Cu PLATING TO ACHIEVE  
 $\varnothing 1.02 \pm .07$  HOLE.
- 10. "DIM XXX" TO BE DETERMINED BY THE CUSTOMER.
- 11. CONNECTOR KEEP-OUT ZONE.

CONFIDENTIAL

mat'l code				SEE NOTE		tolerances unless otherwise specified		CUSTOMER		FCI		www.fciconnect.com	
ltr	ecn no.	dr	date	linear	0.X ± 0.3	COPY		projection		title			
A					0.XX ± 0.13					6P + 16S + 2P RIGHT ANGLE SOLDER HEADER			
				angles	0.XXX ± 0.051					product family		code	
				dr	0° ± 2°			scale		PwrBlade		213	
				enr	Warren Du 12/08/08			1:1		size		sheet	
				chr	Warren Du 12/08/08			A		dwg no		4 of 4	
				appd	Gary Hsieh 12/08/08					51939-401			
					JOSEPH HSIA 12/08/08								
sheet index	revision sheet												

cage code 22526

Pro/E