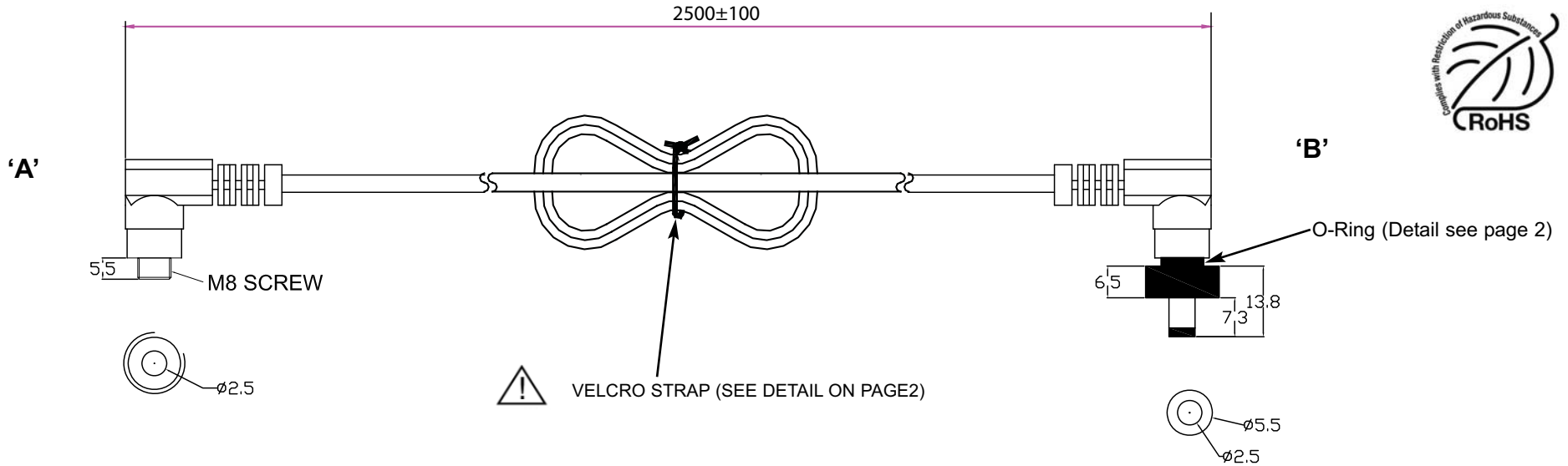


PROPRIETARY INFORMATION:
 PROPRIETARY OF GLOBTEK, INC. ANY REPRODUCTION, DISCLOSURE OR
 USE OF THIS DRAWING, IN WHOLE OR IN PART, IS HEREBY
 PROHIBITED EXCEPT AS SPECIFIED IN WRITING BY GLOBTEK, INC.

REVISION			
REV	DESCRIPTION	DATE	APPROVED
A	INITIAL RELEASE, RFS. 24089, DH	01/24/13	HM
B	ADD O-RING TO CONNECTOR, ADD PE BAG TO PACKING, RFS.24179, DH	02/04/13	HM
C	UPDATE TEMPERATURE TO 80°C, RFS.27700	01/24/22	HM

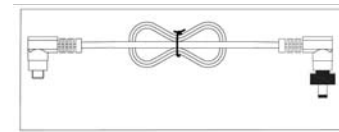


GENERAL SPECIFICATIONS:

TEMPERATURE: 80°C
 CABLE TYPE / SIZE: ROUND UL 1185, 1C+SHIELD, 18 AWG
 CABLE JACKET COLOR: BLACK
 OVERALL LENGTH (L): 2500 ± 100 mm
 END 'A' TERMINATION: RIGHT ANGLE JACK 2.5 x 5.5 mm WITH M8 SCREW
 END 'B' TERMINATION: RIGHT ANGLE FEMALE BARREL 5.5 x 2.5 x 13.8 mm WITH 6.5 mm THUMBSCREW AND O-RING
 APPROVALS CABLE: UL, CSA or cUL
 APPROVALS CONNECTOR: N/A

PACKING:

1. HANKED PER DRAWING.
2. MAXIMUM SHIPPING CARTON WEIGHT IS 30 kg.
3. EACH CABLE MUST BE PACKED IN A POLYBAG.



NOTE:

1. CABLE MUST BE MARKED WITH APPROVAL SYMBOLS OR FILE NUMBER(S).



2. CABLE WITH LETTER POSITIVE "+", WHITE EDGES CONNECTED WITH NEGATIVE "-".

DASH NO.	PART NO	REV.	DESCRIPTION	NOTES
TABULATION BLOCK				
			TOLERANCES: DECIMALS ANGULAR .xx +/- 0.01 +/- 1° .xxx +/- .005 MILLIMETERS ANGULAR .x +/- 1.0 +/- 1° .xx +/- 0.5	GlobTek, Inc. www.globtek.com 186 Veterans Dr. Northvale, NJ 07647 Tel. 201-784-1000 Fax 201.784.0111
INIT.BY: DH	DATE: 01/24/13			
DRAWN: NF	DATE: 01/24/13	FSCN No.: G, CC	SIZE: A	REV. C
APRVD: HM	DATE: 01/24/13	SCALE: NONE	PART NO: LLR11852M5S712AR(R)	SHEET 1/2

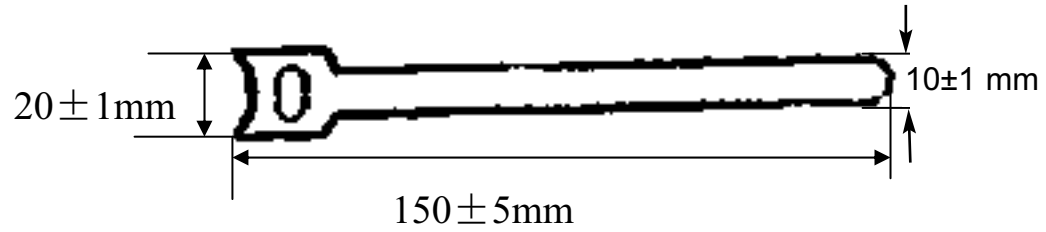
Foot Note:
 Globtek Inc. will not be liable for the safety and performance of these power product if unauthorized access and repair occurs. End user should consult the applicable UL, CSA or EN Standards for proper installation instruction.

Limitation of Use:
 Globtek product are not authorized for use as mission critical components in life support, hazardous environment, nuclear or aircraft applications without prior written approval from the CEO of Globtek Inc.

Contents of this document are subject to change without prior notice

VELCRO STRAP:

- 1. COLOR: BLACK
- 2. GT P/N: 400-02020063



O-RING:

- 1. O-RING, ID-6.5mm
 - 2. THICKNESS=1.5 mm(Black)
- (DETAIL 'O-RING" PICTURE FOR REFERENCE)



GlobTek, Inc.
www.globtek.com

186 Veterans Dr. Northvale, NJ 07647
Tel. 201-784-1000 Fax 201.784.0111

DWG TITLE: RIGHT ANGLE CONNECTOR AND JACK

	REV. C
PART NO: LLR11852M5S712AR(R)	SHEET 2/2