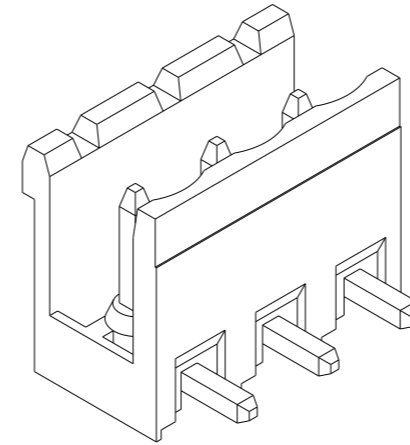
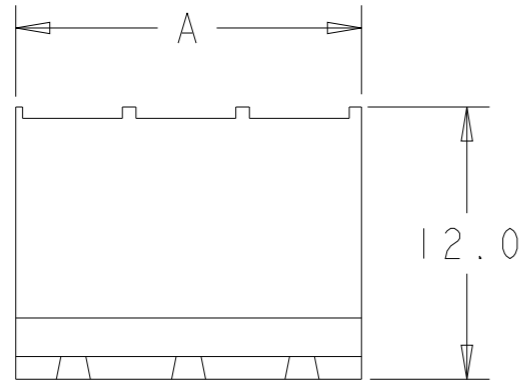
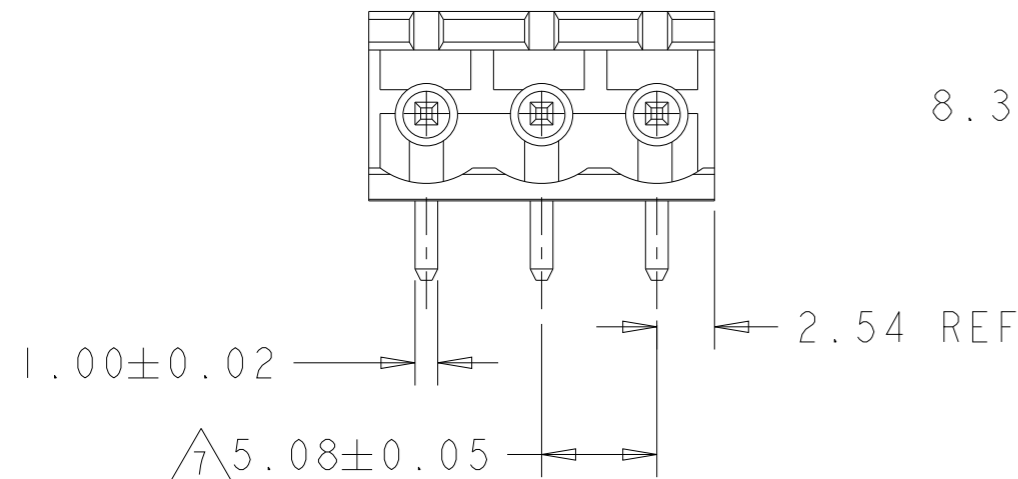
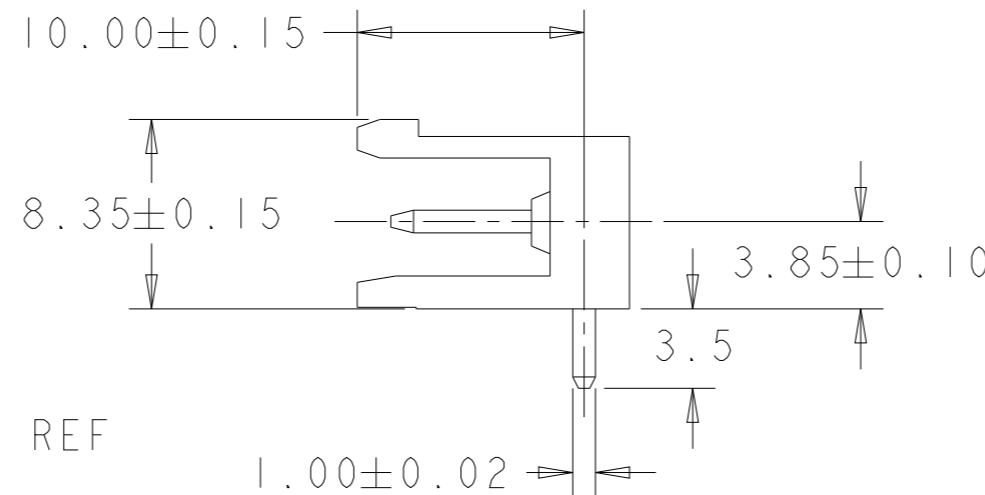


P	LTR	DESCRIPTION	DATE	DWN	APVD
C3		PN 2-282815-6 ADDED	26MAR2018	RK	PS
C4		PART STATUS UPDATED	05JUL2021	SB	SS

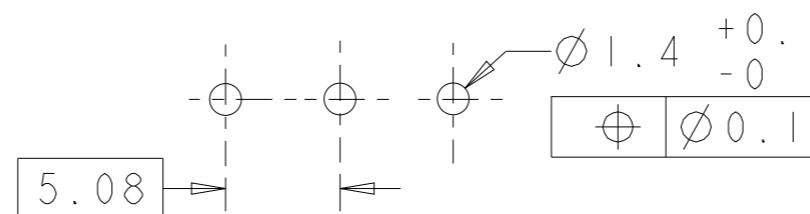


282815-3 AS SHOWN

COLOR	DIM. A	NO OF POS.	PART NUMBER
OBSOLETE	ORANGE	15.24	3
	ORANGE	15.24	3
	GREEN	127.00	25
	GREEN	121.92	24
	GREEN	116.84	23
	GREEN	111.76	22
	GREEN	106.68	21
	GREEN	101.60	20
	GREEN	96.52	19
	GREEN	91.44	18
	GREEN	86.36	17
	GREEN	81.28	16
	GREEN	76.20	15
	GREEN	71.12	14
	GREEN	66.04	13
	GREEN	60.96	12
	GREEN	55.88	11
	GREEN	50.80	10
	GREEN	45.72	9
	GREEN	40.64	8
	GREEN	35.56	7
	GREEN	30.48	6
	GREEN	25.40	5
	GREEN	20.32	4
	GREEN	15.24	3
	GREEN	10.16	2

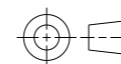


RECOMMENDED PC BOARD LAYOUT



THIS DRAWING IS A CONTROLLED DOCUMENT.

DIMENSIONS:  
mm



TOLERANCES UNLESS OTHERWISE SPECIFIED:

0 PLC	±-
1 PLC	±0.3
2 PLC	±0.25
3 PLC	±-
4 PLC	±-
ANGLES	±2

MATERIAL  
SEE NOTES

FINISH  
SEE NOTES

DWN 25JUL2001  
E. ZANOLINI  
CHK 25JUL2001  
D. BIEVENOUR  
APVD 25JUL2001  
D. BIEVENOUR  
PRODUCT SPEC 108-20166  
APPLICATION SPEC 114-20079  
WEIGHT -

**STE** TE Connectivity

NAME  
TERMINAL BLOCK HEADER ASSEMBLY  
90 DEGREE OPEN ENDS, STACKING  
5.08mm PITCH

SIZE	CAGE CODE	DRAWING NO	RESTRICTED TO
A3	00779	C-282815	

CUSTOMER DRAWING SCALE 3:1 SHEET 1 OF 2 REV C4


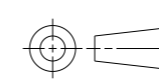
REVISIONS

P	LTR	DESCRIPTION	DATE	DWN	APVD
	-	SEE SHEET 1	-	-	-

NOTES:

1. MATERIALS AND FINISH  
HOUSING: PA 6-6, UL 94-V0.  
TERMINAL: BRASS, TIN PLATED.
2. MECHANICAL  
MAX. INSERTION FORCE PER POLE : 3.0 N  
MIN. WITHDRAWAL FORCE PER POLE : 1.5 N  
MIN. PC BOARD HOLES DIAMETER : 1.4 mm  
MAX. PC BOARD THICKNESS : 2.4 mm
3. ELECTRICAL  
WIRE RANGE : 12-30 AWG  
MAX. VOLTAGE : 300 V  
MAX CURRENT : 15 A  
CONTACT RESISTANCE : <15 m Ohm  
INSULATION RESISTANCE : >1000 M Ohm (500V DC)
4. END-TO-END STACKABLE WITHOUT LOSS OF CENTERLINE SPACING.
5. RECOGNIZED UNDER THE COMPONENT PROGRAM OF UNDERWRITERS LABORATORIES INC. FILE NO E60677.
6. OPERATING TEMPERATURE RANGE: -40°C TO +110°C

 NOT CUMULATIVE TOLERANCE.

THIS DRAWING IS A CONTROLLED DOCUMENT.		DWN E. ZANOLINI 25 JUL 2001	 TE Connectivity													
DIMENSIONS: mm		CHK D. BIEVENOUR 25 JUL 2001														
TOLERANCES UNLESS OTHERWISE SPECIFIED:		APVD D. BIEVENOUR 25 JUL 2001	NAME TERMINAL BLOCK HEADER ASSEMBLY 90 DEGREE OPEN ENDS, STACKING 5.08mm PITCH													
 <table border="0"> <tr><td>0 PLC</td><td>±-</td></tr> <tr><td>1 PLC</td><td>±.2</td></tr> <tr><td>2 PLC</td><td>±.25</td></tr> <tr><td>3 PLC</td><td>±-</td></tr> <tr><td>4 PLC</td><td>±-</td></tr> <tr><td>ANGLES</td><td>±2</td></tr> </table>		0 PLC	±-	1 PLC	±.2	2 PLC	±.25	3 PLC	±-	4 PLC	±-	ANGLES	±2	PRODUCT SPEC 108-20166	RESTRICTED TO	
0 PLC	±-															
1 PLC	±.2															
2 PLC	±.25															
3 PLC	±-															
4 PLC	±-															
ANGLES	±2															
MATERIAL SEE NOTES		APPLICATION SPEC 114-20079	SIZE A3	CAGE CODE 00779												
FINISH SEE NOTES		WEIGHT -	DRAWING NO C-282815													
CUSTOMER DRAWING			SCALE 3:1	SHEET 2 OF 2												
			REV C4													