

VAL-SEC-T2-2+F-380DC-FM - Type 2 surge arrester



1033790

<https://www.phoenixcontact.com/us/products/1033790>

Please be informed that the data shown in this PDF document is generated from our online catalog. Please find the complete data in the user documentation. Our general terms of use for downloads are valid.



Pluggable surge protective device free of leakage current for 2-pos. isolated and grounded DC voltage systems with linear operating characteristic up to 380 V DC, for DIN rail mounting, 3-pos. base element with remote indication contact, three pluggable temperature-monitored protective elements, status message on each plug.

Your advantages

- Surge protection family for universal use with optimum energy coordination from the lightning current arrester to the device protection
- Easy to maintain due to consistently pluggable protection modules
- Excellent level of information provided by mechanical/visual status indicator and remote indication contact
- More space in the control cabinet due to the narrow overall width of just 12 mm per position
- Free of leakage current so there is no influence on insulation monitoring

Commercial data

Item number	1033790
Packing unit	1 pc
Minimum order quantity	1 pc
Sales key	CL01
Product key	CL1353
Catalog page	Page 59 (C-4-2019)
GTIN	4055626540412
Weight per piece (including packing)	311 g
Weight per piece (excluding packing)	287.43 g
Customs tariff number	85363090
Country of origin	DE

VAL-SEC-T2-2+F-380DC-FM - Type 2 surge arrester



1033790

<https://www.phoenixcontact.com/us/products/1033790>

Technical data

Product properties

IEC test classification	II
	T2
EN type	T2
IEC power supply system	DC
Type	DIN rail module, two-section, divisible
Product type	Surge arrester
Product family	SEC Family
Number of positions	2
Surge protection fault message	Optical, remote indicator contact

Insulation characteristics

Overvoltage category	III
Pollution degree	2

Electrical properties

Nominal voltage U_N	350 V DC ... 400 V DC
-----------------------	-----------------------

Indicator/remote signaling

Connection name	Remote fault indicator contact
Switching function	Changeover contact
Operating voltage	5 V AC ... 250 V AC (Altitude \leq 2000 m amsl)
	5 V AC ... 150 V AC (Altitude $>$ 2000 m amsl)
	125 V DC (200 mA DC)
Operating current	5 mA AC ... 1 A AC
	1 A DC (30 V DC)

Connection data

Connection method	Screw connection
Screw thread	M5
Tightening torque	4.5 Nm
Stripping length	16 mm
Conductor cross section flexible	2.5 mm ² ... 16 mm ²
Conductor cross section rigid	2.5 mm ² ... 25 mm ²
Conductor cross section AWG	12 ... 4
Connection method	Fork-type cable lug
Conductor cross section flexible	1.5 mm ² ... 6 mm ²

Remote fault indicator contact

Connection method	Plug-in/screw connection via COMBICON
Screw thread	M2
Tightening torque	0.25 Nm
Stripping length	7 mm

VAL-SEC-T2-2+F-380DC-FM - Type 2 surge arrester



1033790

<https://www.phoenixcontact.com/us/products/1033790>

Conductor cross section flexible	0.14 mm ² ... 1.5 mm ²
Conductor cross section rigid	0.14 mm ² ... 1.5 mm ²
Conductor cross section AWG	28 ... 16

Dimensions

Dimensional drawing	
Width	37.3 mm
Height	97.9 mm
Depth	74.5 mm (incl. DIN rail 7.5 mm)
Horizontal pitch	2 Div.

Material specifications

Flammability rating according to UL 94	V-0
CTI value of material	600
Insulating material	PA6.6-FR 20% GF PBT-FR
Material group	I
Housing material	PA 6.6-FR 20 % GF PBT-FR

Protective circuit

Mode of protection	(DC+) - (DC-) (DC+/DC-) - PE
Direction of action	(DC+/DC-) - PE
Nominal voltage U_N	350 V DC ... 400 V DC
Maximum continuous voltage U_C	450 V DC
Rated load current I_L	40 A (Biconnect M4 fork-type cable lug 6 mm ²) 63 A (TWIN ferrule 2 x 10 mm ²)
Residual current I_{PE}	≤ 5 μA
Nominal discharge current I_n (8/20) μs	20 kA
Maximum discharge current I_{max} (8/20) μs	40 kA
Total discharge current I_{total} (8/20) μs	40 kA
Short-circuit current rating I_{SCCR}	0.1 kA (without backup fuse) 6 kA (for 20 A gG/B backup fuse)
Voltage protection level U_p (DC+) - (DC-)	≤ 3 kV
Voltage protection level U_p (DC+/DC-) - PE	≤ 1.9 kV
Front of wave sparkover voltage at 6 kV (1.2/50) μs (DC+/DC-) - PE	≤ 1.9 kV
TOV behavior at U_T	551 V DC (5 s / withstand mode)
Max. backup fuse with V-type through wiring	10 A (gG/B at $I_{SCCR} > 100$ A)

VAL-SEC-T2-2+F-380DC-FM - Type 2 surge arrester



1033790

<https://www.phoenixcontact.com/us/products/1033790>

	20 A (gG / B at $I_{SCCR} > 200$ A)
Max. backup fuse with branch wiring	10 A (gG/B at $I_{SCCR} > 100$ A)
	20 A (gG / B at $I_{SCCR} > 200$ A)

Additional technical data

Continuous operating current I_{CPV}	10 μ A
--	------------

Environmental and real-life conditions

Ambient conditions

Degree of protection	IP20
Ambient temperature (operation)	-40 °C ... 80 °C
Ambient temperature (storage/transport)	-40 °C ... 80 °C
Altitude	≤ 5000 m (amsl)
Permissible humidity (operation)	5 % ... 95 %
Shock (operation)	30g (Half-sine / 11 ms / 3x \pm X, \pm Y, \pm Z)
Vibration (operation)	5g (10 ... 500 Hz / 2.5 h / X, Y, Z)

Standards and regulations

Standards/specifications	IEC 61643-11
Note	2011

EN 61643-11

Standards/specifications	EN 61643-11
Note	2012

Mounting

Mounting type	DIN rail: 35 mm
---------------	-----------------

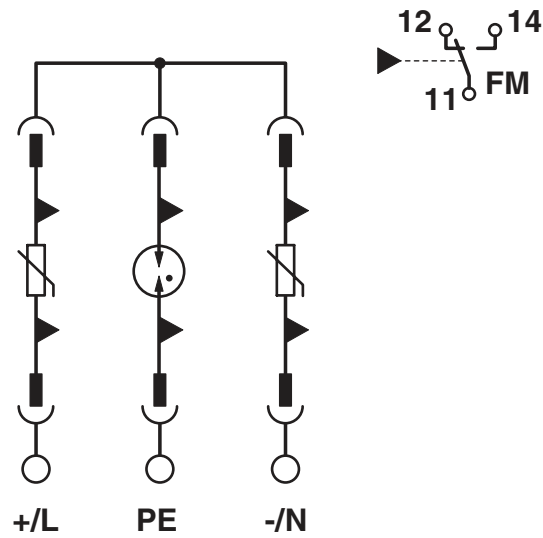
VAL-SEC-T2-2+F-380DC-FM - Type 2 surge arrester

1033790

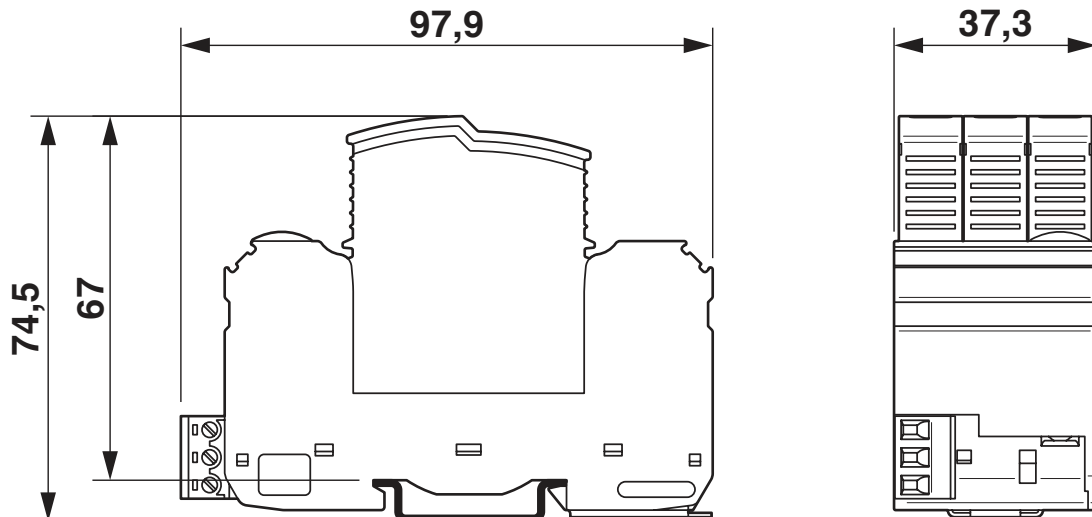
<https://www.phoenixcontact.com/us/products/1033790>

Drawings

Circuit diagram



Dimensional drawing



VAL-SEC-T2-2+F-380DC-FM - Type 2 surge arrester



1033790

<https://www.phoenixcontact.com/us/products/1033790>

Classifications

ECLASS

ECLASS-11.0	27130805
ECLASS-13.0	27171302

ETIM

ETIM 8.0	EC000941
----------	----------

UNSPSC

UNSPSC 21.0	39121600
-------------	----------

VAL-SEC-T2-2+F-380DC-FM - Type 2 surge arrester



1033790

<https://www.phoenixcontact.com/us/products/1033790>

Environmental product compliance

China RoHS	Environmentally friendly use period: unlimited = EFUP-e
	No hazardous substances above threshold values

VAL-SEC-T2-2+F-380DC-FM - Type 2 surge arrester



1033790

<https://www.phoenixcontact.com/us/products/1033790>

Accessories

CLIPFIX 35 - End clamp

3022218

<https://www.phoenixcontact.com/us/products/3022218>



Quick mounting end clamp for NS 35/7,5 DIN rail or NS 35/15 DIN rail, with marking option, width: 9.5 mm, color: gray

EML (20XE)R - Label

0803452

<https://www.phoenixcontact.com/us/products/0803452>



Label, Roll, white, unlabeled, can be labeled with: THERMOMARK E.300 (D)/600 (D), THERMOMARK ROLL 2.0, THERMOMARK ROLL, THERMOMARK ROLL X1, THERMOMARK ROLLMASTER 300/600, THERMOMARK X1.2, mounting type: adhesive, lettering field size: continuous x 20 mm

VAL-SEC-T2-2+F-380DC-FM - Type 2 surge arrester



1033790

<https://www.phoenixcontact.com/us/products/1033790>

EML (20XE)R YE - Label

0803453

<https://www.phoenixcontact.com/us/products/0803453>



Label, Roll, yellow, unlabeled, can be labeled with: THERMOMARK E.300 (D)/600 (D), THERMOMARK ROLL 2.0, THERMOMARK ROLL, THERMOMARK ROLL X1, THERMOMARK ROLLMASTER 300/600, THERMOMARK X1.2, mounting type: adhesive, lettering field size: continuous x 20 mm

ZBN 18:UNBEDRUCKT - Zack marker strip

2809128

<https://www.phoenixcontact.com/us/products/2809128>



Zack marker strip, Strip, white, unlabeled, can be labeled with: CMS-P1-PLOTTER, PLOTMARK, mounting type: snapped, for terminal block width: 18 mm, lettering field size: 18 x 5 mm, Number of individual labels: 5

VAL-SEC-T2-2+F-380DC-FM - Type 2 surge arrester



1033790

<https://www.phoenixcontact.com/us/products/1033790>

ZBN 18,LGS:L1-N,ERDE - Marker for terminal blocks

2749576

<https://www.phoenixcontact.com/us/products/2749576>



Marker for terminal blocks, Strip, white, labeled, horizontal: L1, L2, L3, N, GND, mounting type: snapped, for terminal block width: 18 mm, lettering field size: 18 x 5 mm, Number of individual labels: 5

ZBN 18,LGS:ERDE - Marker for terminal blocks

2749589

<https://www.phoenixcontact.com/us/products/2749589>



Marker for terminal blocks, Strip, white, labeled, horizontal: Grounding symbol, mounting type: snapped, for terminal block width: 18 mm, lettering field size: 18 x 5 mm, Number of individual labels: 5

VAL-SEC-T2-2+F-380DC-FM - Type 2 surge arrester



1033790

<https://www.phoenixcontact.com/us/products/1033790>

ZBFM 5/WH:UNBEDRUCKT - Flat zack marker sheet

0803595

<https://www.phoenixcontact.com/us/products/0803595>



Flat zack marker sheet, Sheet, white, unlabeled, can be labeled with: CMS-P1-PLOTTER, PLOTMARK, mounting type: snapped, for terminal block width: 5.2 mm, lettering field size: 5 x 4.5 mm, Number of individual labels: 120

VAL-SEC-AGK-25 - Pick-off terminal

1452282

<https://www.phoenixcontact.com/us/products/1452282>



Pick-off terminal, can only be used in combination with VAL-SEC-T2 series, nominal voltage: 400 V, nominal current: 63 A, connection method: screw connection, rated cross-section: 25 mm², cross-section: 1.5 mm² – 25 mm², color: gray

VAL-SEC-T2-2+F-380DC-FM - Type 2 surge arrester

1033790

<https://www.phoenixcontact.com/us/products/1033790>



X-PEN 0,35 - Marker pen

0811228

<https://www.phoenixcontact.com/us/products/0811228>



Marker pen without ink cartridge, for manual labeling of markers, labeling extremely wipe-proof, line thickness 0.35 mm

VAL-SEC-T2-380DC-P - Type 2 surge protection plug

2907880

<https://www.phoenixcontact.com/us/products/2907880>



Replacement plug for surge protective devices from the VALVETRAB SEC product range for DC power sources.

VAL-SEC-T2-2+F-380DC-FM - Type 2 surge arrester

1033790

<https://www.phoenixcontact.com/us/products/1033790>



VAL-SEC-T2-GDT-800DC-P - Type 2 surge protection plug

1052649

<https://www.phoenixcontact.com/us/products/1052649>



Replacement plug for surge protective devices from the VALVETRAB SEC product range for DC power sources. Protection of the path to the ground for 220 und 380 V DC.

Phoenix Contact 2023 © - all rights reserved

<https://www.phoenixcontact.com>

Phoenix Contact USA
586 Fulling Mill Road
Middletown, PA 17057, United States
(+717) 944-1300
info@phoenixcon.com