

Type 2 surge protection device - VAL-MS 1000DC-PV/2+V - 2800628

Please be informed that the data shown in this PDF Document is generated from our Online Catalog. Please find the complete data in the user's documentation. Our General Terms of Use for Downloads are valid (<http://phoenixcontact.com/download>)



Surge arrester for 2-pos. isolated 1000 V DC voltage systems, for DIN rail mounting, 3-pos. base element, three plug-in temperature-monitored protective elements, status message on each plug.

Product Features

- ✓ Increased safety, thanks to compliance with standard EN 50539-11
- ✓ Reliable contact, thanks to integrated rotating latch
- ✓ Easy replacement, thanks to plug-in arresters
- ✓ Optimum inverter protection, thanks to low protection level
- ✓ Efficient replacement of defective plugs, thanks to visual status indicator
- ✓ Optimized maintenance planning, thanks to remote signaling
- ✓ Protection against mismatching, thanks to keyed plugs and base elements
- ✓ Always the right arrester, thanks to universal type 1/type 2 protective components



Key commercial data

Packing unit	1 pc
Weight per Piece (excluding packing)	320.0 GRM
Custom tariff number	85363030
Country of origin	Germany

Technical data

Dimensions

Height	99 mm
Width	53.4 mm
Depth	65.5 mm
Horizontal pitch	3 Div.

Ambient conditions

Degree of protection	IP20
----------------------	------

Type 2 surge protection device - VAL-MS 1000DC-PV/2+V - 2800628

Technical data

Ambient conditions

Ambient temperature (operation)	-40 °C ... 80 °C
Altitude	≤ 2000 m
Permissible humidity (operation)	5 % ... 95 %

General

Standards/specifications	EN 50539-11 2013
IEC test classification	PV T2
	PV T2
Number of ports	One
SPD failure behavior	Open circuit mode (OCM)
Connection configuration	Y configuration
SPD design	Voltage-limiting type
Installation location	Inside
Accessibility	Accessible
Installation location of the disconnect device	Internal
Mounting type	DIN rail: 35 mm
Color	jet black RAL 9005
Housing material	PBT / PA
Pollution degree	2
Inflammability class according to UL 94	V-0
Surge protection fault message	Optical

Protective circuit DC voltage side (DC)

Maximum continuous operating voltage U_{CPV}	1170 V DC
Open circuit voltage U_{OCSTC}	≤ 970 V DC
Short-circuit current rating I_{SCPV}	300 A
Rated load current I_L	80 A DC
Residual current I_{PE}	≤ 20 μA
	≤ 250 μA
Standby power consumption P_C	≤ 25 mVA
Nominal discharge current (8/20) μs	15 kA
Maximum discharge current I_{max} (8/20) μs	40 kA
Total discharge current I_{Total} (8/20) μs	40 kA
Voltage protection level U_p (L+) - (L-)	≤ 3.7 kV
Voltage protection level U_p (L+/L-) - PE	≤ 3.7 kV
Response time t_A	≤ 25 ns
Max. required backup fuse with branch wiring	Not required

Type 2 surge protection device - VAL-MS 1000DC-PV/2+V - 2800628

Technical data

Connection data

Connection method	Screw connection
Conductor cross section stranded min.	1.5 mm ²
Conductor cross section stranded max.	25 mm ²
Conductor cross section solid min.	1.5 mm ²
Conductor cross section solid max.	35 mm ²
AWG conductor cross section	15 ... 2
	10 ... 2 (UL)
Screw thread	M5
Tightening torque	4.5 Nm
	30 lb _r -in. (UL)
Stripping length	16 mm
Connection method	Biconnect terminal blocks
Conductor cross section stranded min.	1.5 mm ²
Conductor cross section stranded max.	16 mm ²
Screw thread	M5

Classifications

eCl@ss

eCl@ss 4.0	27140201
eCl@ss 4.1	27130801
eCl@ss 5.0	27130801
eCl@ss 5.1	27130801
eCl@ss 6.0	27130805
eCl@ss 7.0	27130805
eCl@ss 8.0	27130805

ETIM

ETIM 3.0	EC000941
ETIM 4.0	EC000941
ETIM 5.0	EC000941

UNSPSC

UNSPSC 6.01	30212010
UNSPSC 7.0901	39121610
UNSPSC 11	39121610
UNSPSC 12.01	39121610

Type 2 surge protection device - VAL-MS 1000DC-PV/2+V - 2800628

Classifications

UNSPSC

UNSPSC 13.2	39121620
-------------	----------

Approvals

Approvals


Approvals


UL Recognized / KEMA-KEUR / cUL Recognized / cULus Recognized


Ex Approvals

Approvals submitted

Approval details

UL Recognized 

KEMA-KEUR 

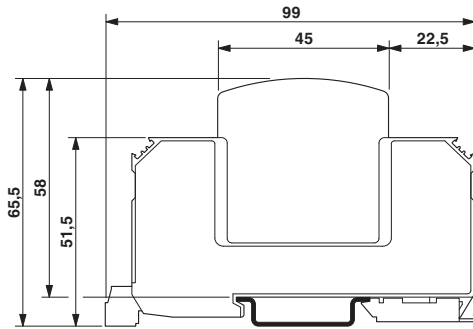
cUL Recognized 

cULus Recognized 

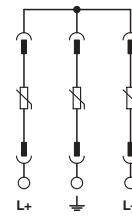
Drawings

Type 2 surge protection device - VAL-MS 1000DC-PV/2+V - 2800628

Dimensioned drawing



Circuit diagram



The illustration shows the dimensional drawing for a version with remote indicator contact