

REVISIONS

P	LTR	DESCRIPTION	DATE	DWN	APVD
	A4	DIM .173±.012 AND PCB LAYOUT ADDED	06MAY2022	SCB	SS

NOTES:

MATERIAL:

HOUSING: PBT, UL94V-0, COLOR: BLACK.
 TERMINAL: BRASS, TIN PLATED.
 SCREW: M3, STEEL, NICKEL PLATED.
 COVER: PC.

ELECTRICAL:

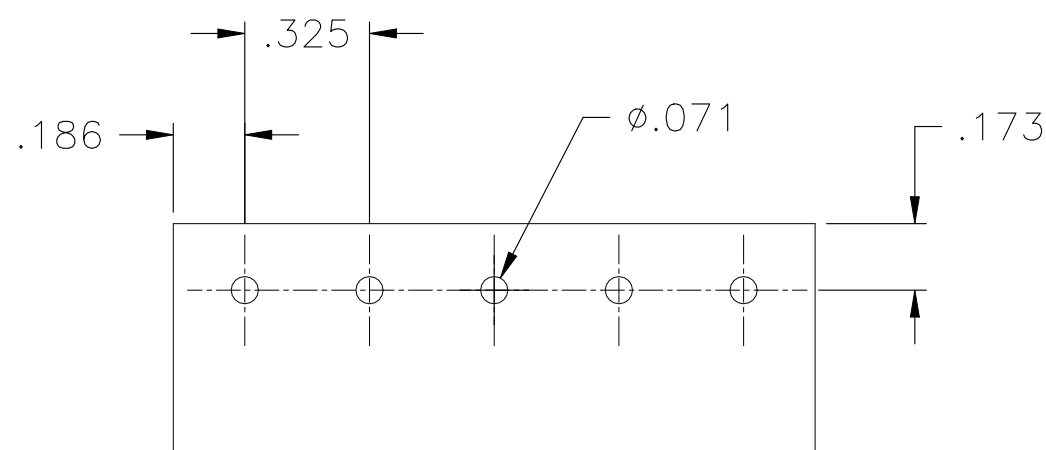
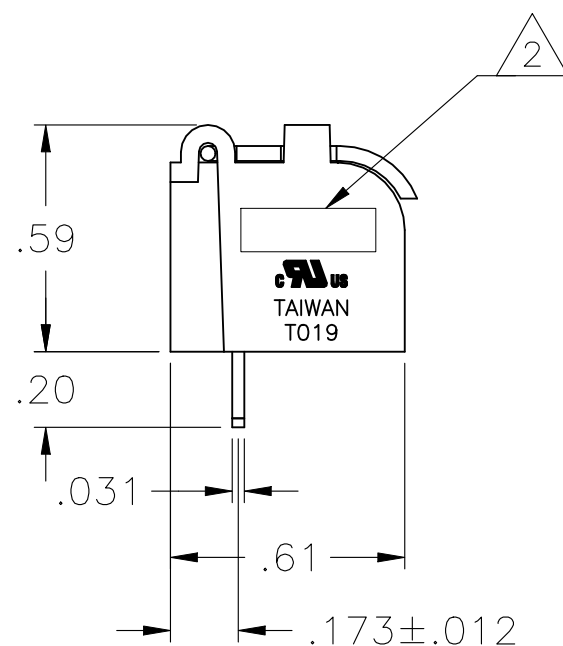
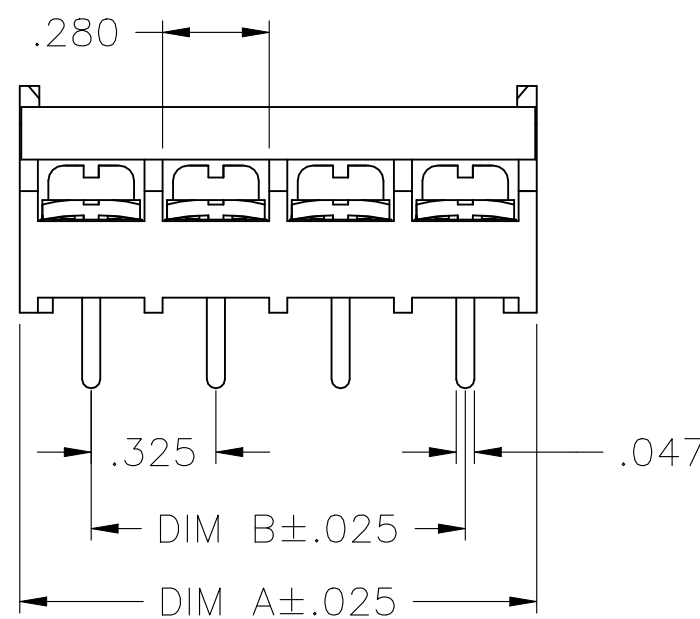
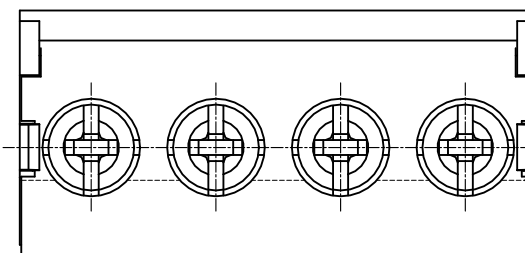
CURRENT RATING: 15A, 300V.
 WIRE RANGE: 14-22 AWG.

MECHANICAL:

OPERATION TEMP: -40°C TO +120°C.

1 PRELIMINARY PART NUMBER.

2 TE LOGO LOCATED APPROXIMATE AREA SHOWN.



RECOMMENDED PCB LAYOUT

1	9.797	9.425	30	3-1546927-0
1	9.472	9.100	29	2-1546927-9
1	9.147	8.775	28	2-1546927-8
1	8.822	8.450	27	2-1546927-7
1	8.497	8.125	26	2-1546927-6
1	8.172	7.800	25	2-1546927-5
1	7.847	7.475	24	2-1546927-4
1	7.522	7.150	23	2-1546927-3
1	7.197	6.825	22	2-1546927-2
1	6.872	6.500	21	2-1546927-1
1	6.547	6.175	20	2-1546927-0
1	6.222	5.850	19	1-1546927-9
1	5.897	5.525	18	1-1546927-8
1	5.572	5.200	17	1-1546927-7
1	5.247	4.875	16	1-1546927-6
1	4.922	4.550	15	1-1546927-5
1	4.597	4.225	14	1-1546927-4
1	4.272	3.900	13	1-1546927-3
	3.947	3.575	12	1-1546927-2
1	3.622	3.250	11	1-1546927-1
1	3.297	2.925	10	1-1546927-0
	2.972	2.600	9	1546927-9
	2.647	2.275	8	1546927-8
	2.322	1.950	7	1546927-7
	1.997	1.625	6	1546927-6
	1.672	1.300	5	1546927-5
	1.347	.975	4	1546927-4
	1.022	.650	3	1546927-3
	.697	.325	2	1546927-2
DIM. A	DIM. B	NO. OF POS.	TE PART NO.	

THIS DRAWING IS A CONTROLLED DOCUMENT.

DIMENSIONS: INCHES	TOLERANCES UNLESS OTHERWISE SPECIFIED:	DWN S SCHLEGEL 21JAN04	 TE Connectivity
	0 PLC ± -	CHK S YODER 1/22/04	
	1 PLC ± -	APVD S YODER 1/22/04	
	2 PLC ± .02	PRODUCT SPEC	
MATERIAL	FINISH	APVD S YODER 1/22/04	NAME
		APPLICATION SPEC	TERMINAL BLOCK, .325 TRI BARRIER W/ COVER
		WEIGHT	SIZE
		CUSTOMER DRAWING	CAGE CODE
			DRAWING NO
			RESTRICTED TO
			A300779
			C=1546927
			SCALE
			SHEET
			1 OF 1
			REV
			A4