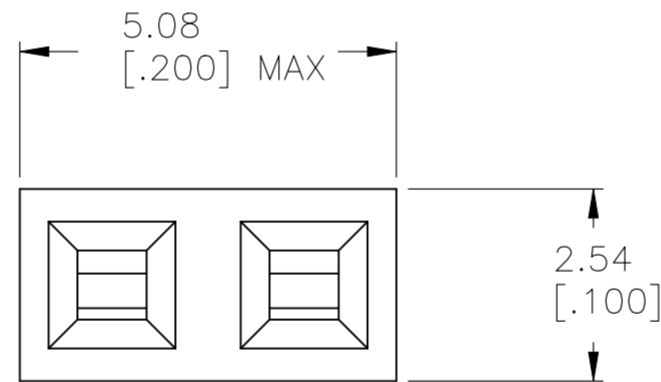
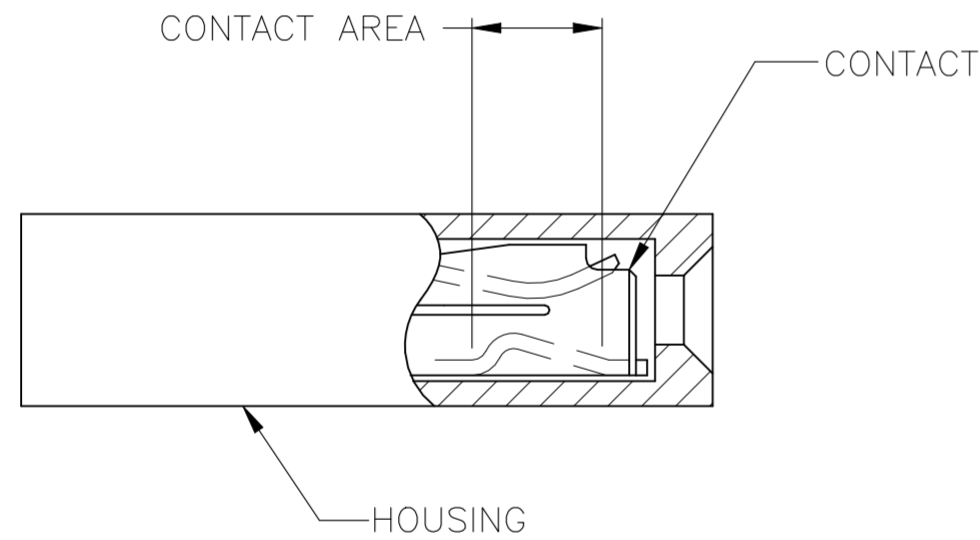
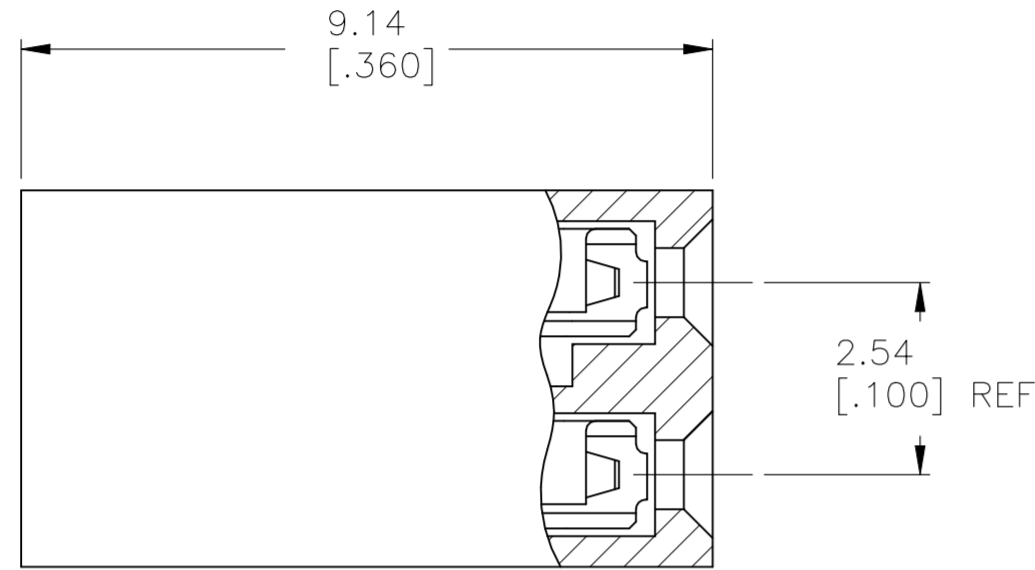


REVISIONS					
P	LTR	DESCRIPTION	DATE	DWN	APVD
	U	REVISED PER ECO-21-006201	28MAY2021	RK	JO



- 1 MATERIAL:
HOUSING: FLAME RETARDANT NYLON, 94V-0,
OR FLAME RETARDANT POLYESTER 94V-0.
CONTACT: PHOSPHOR BRONZE.
- 2 CONTACT PLATED WITH 0.00076[.000030] GOLD INLAY OVER
0.00076[.000030] NICKEL IN CONTACT AREA ONLY.
- 3 CONTACT PLATED WITH 0.0013[.000050] GOLD INLAY OVER
0.00076[.000030] NICKEL IN CONTACT AREA ONLY.
- 4 CONTACT PLATED WITH 0.00254[.000100] TIN/LEAD OVER ALL.
- 5 CONTACT PLATED WITH 0.00038[.000015] GOLD INLAY OVER
0.00076[.000030] NICKEL IN CONTACT AREA ONLY.
- 6 HOUSING CUT-OFF BURR NOT EXCEED 0.13[.005].
- 7 CONNECTOR MATES WITH 0.61[.024] TO 0.66[.026] SQUARE
PIN. PIN LENGTH 4.45[.175] MIN. TO 8.38[.330] MAX.
- 8 CONTACT PLATED WITH 0.00254[.000100] MATTE TIN OVER ALL.

SUPERSEDED BY 4-530153-1	8	RED	4-530153-5
		BLUE	4-530153-4
		YELLOW	4-530153-3
		NATURAL	4-530153-2
		BLACK	4-530153-1
SUPERCEDED BY 390088-2	5	BLACK	3-530153-2
SUPERSEDED BY 2-530153-2	4	RED	3-530153-0
		BLUE	2-530153-6
		YELLOW	2-530153-4
SUPERSEDED BY 2-530153-2	3	BLACK	2-530153-2
		NATURAL	2-530153-1
SUPERCEDED BY 390088-1	3	BLACK	1-530153-2
SUPERSEDED BY 530153-2	2	RED	1-530153-0
		BLUE	530153-6
		YELLOW	530153-4
		BLACK	530153-2
SUPERSEDED BY 530153-2		NATURAL	530153-1
FINISH		HOUSING COLOUR	PART NO

THIS DRAWING IS A CONTROLLED DOCUMENT.		DWN R.TALLEY 12MAR91	TE Connectivity	
DIMENSIONS: mm[INCHES]		CHK R.MILLER 19MAR91	TANDEM SPRING SHUNT CONNECTOR 2 POSITION, 2.54 [.100] CL	
TOLERANCES UNLESS OTHERWISE SPECIFIED:		APVD D.HUFFMAN 19MAR91	RESTRICTED TO	
0 PLC ± -		PRODUCT SPEC 108-9062	SIZE A2	CAGE CODE 00779
1 PLC ± -		APPLICATION SPEC 114-1045	DRAWING NO C=530153	SCALE 10:1
2 PLC ± 0.25 [.010]		WEIGHT -	SHEET 1 OF 1	REV U
3 PLC ± -		CUSTOMER DRAWING		
4 PLC ± -				
ANGLES ± -				
MATERIAL 1	FINISH SEE TABLE			