

NOTES:

1. MATERIALS AND FINISHES:

- HEX NUT - BRASS, NICKEL PLATING (.000100" MIN. THICK)
- LOCK WASHER - BRASS, NICKEL PLATING (.000100" MIN. THICK)
- BODY - BRASS, NICKEL PLATING (.000100" MIN. THICK)
- BARREL - BRASS, GOLD PLATING (.000003" MIN. THICK)
- CONTACT - PHOSPHOR BRONZE, GOLD PLATING (.000003" MIN. THICK)
- GASKET - SILICONE RUBBER, RED
- INSULATOR - PTFE, NATURAL

2. ELECTRICAL:

- A. IMPEDANCE: 50 OHM
- B. FREQUENCY RANGE: 0-4 GHz
- C. DIELECTRIC WITHSTANDING VOLTAGE: 1500 VRMS, MIN.

3. MECHANICAL:

- A. DURABILITY: 500 CYCLES MIN.
- B. TEMPERATURE RANGE: -65°C TO +165°C

4. CONTACT PIN TO SOLDER

5. MAX. PANEL THICKNESS=3.5 MM

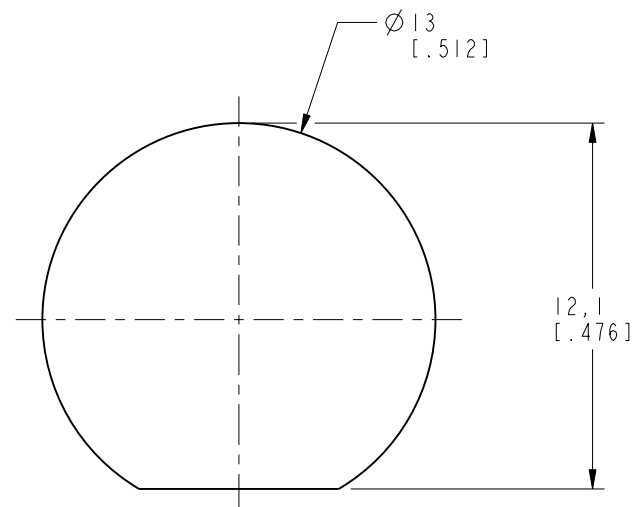
6 THE BNC LUGS ARE ALIGNED WITH THE D-FLAT WITHIN ±5°

7 SHOWS CABLE ENTRY DIMENSIONS.

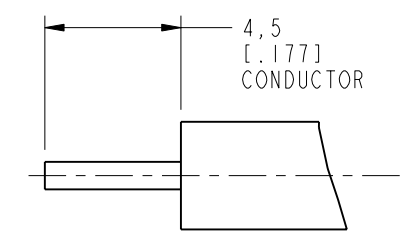
THIRD ANGLE PROJ.

REVISIONS

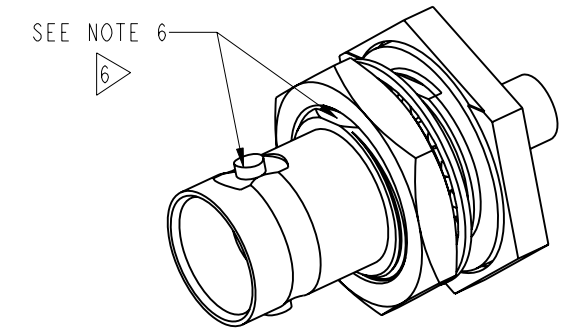
REV	DESCRIPTION	DATE	ECO	APPR
NC	INITIAL RELEASE	31-Jul-05	----	GRS
B	SYNC, REDRAWN IN THE PRO/E\N/A	01-Mar-17	03147	MZ



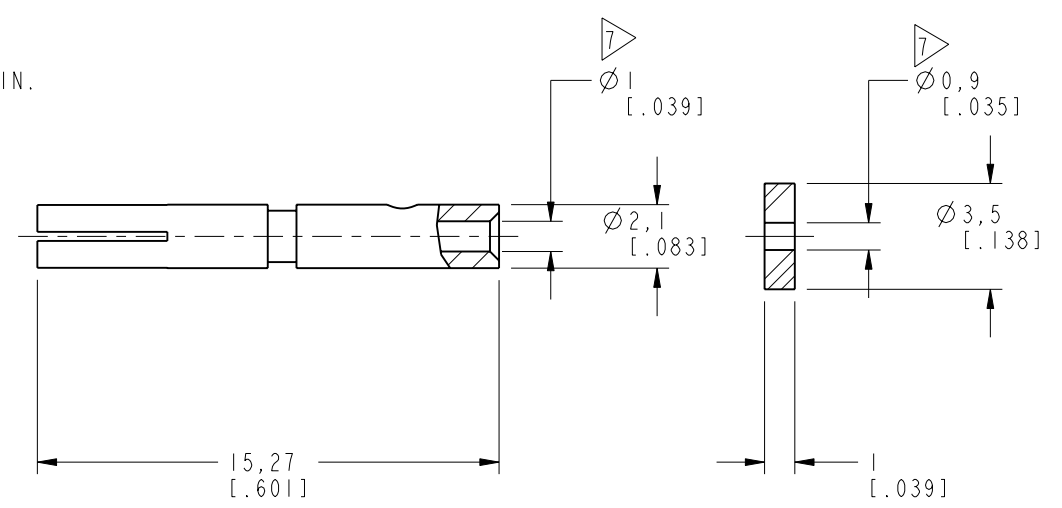
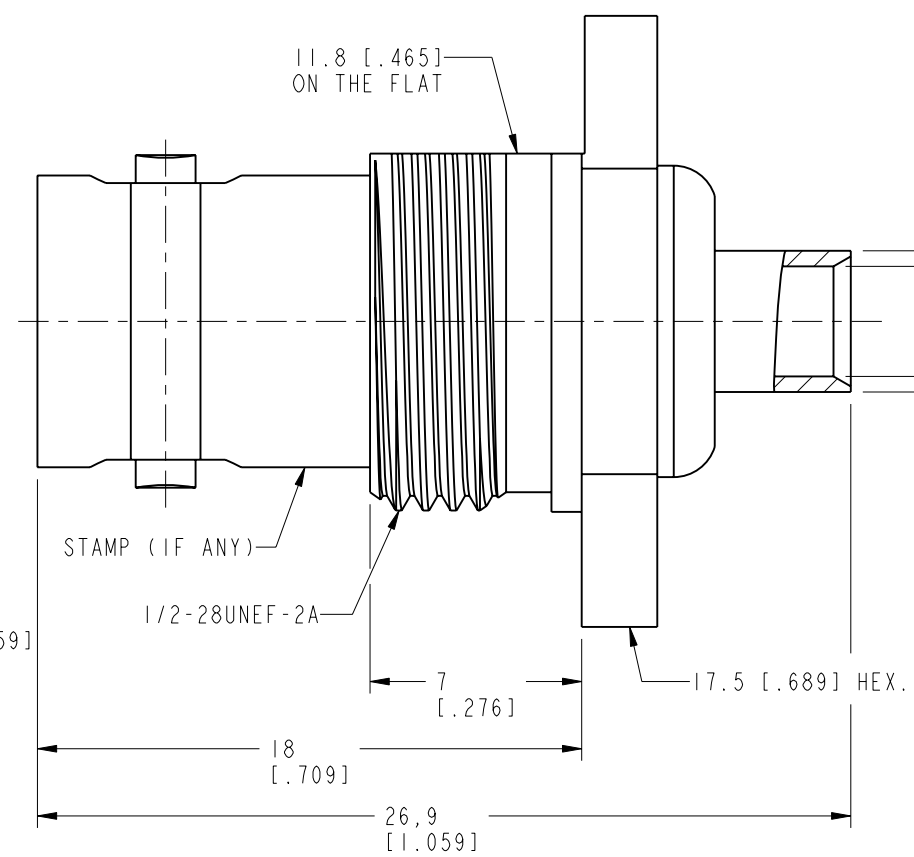
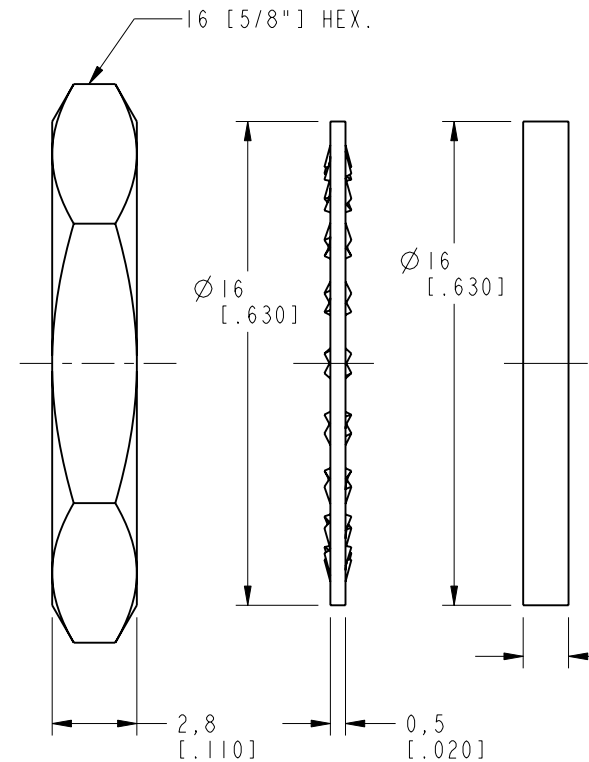
RECOMMENDED MOUNTING HOLE



RECOMMENDED CABLE STRIPPING DIM'S



SCALE 2.000



**CUSTOMER OUTLINE DRAWING**  
ALL OTHER SHEETS ARE FOR INTERNAL USE ONLY

UNLESS OTHERWISE SPECIFIED, DIMENSIONS ARE IN METRIC AND TOLERANCES ARE:  
 <0.5mm ±0.05mm    0.5 - 6mm ±0.1mm    6 - 30mm ±0.2mm    30 - 120mm ±0.3mm    ANGLES ±1°

NOTICE - These drawings, specifications, or other data (1) are, and remain the property of Amphenol corp. (2) must be returned upon request; and (3) are confidential and not to be disclosed to any person other than those to whom they are given by Amphenol Corp. the furnishing of these drawings, specifications, or other data by Amphenol Corp., or to any other person to anyone for any purpose is not to be regarded by implication or otherwise in any manner licensing, granting rights to permitting such holder or any other person to manufacture, use or sell any product, process or design, patented or otherwise, that may in any way be related to or disclosed by said drawings, specifications, or other data.

MATERIAL	DRAWN M. ZHANG	DATE 09-Feb-17
REFERENCE AND CONFIGURATION LEVEL: In Work	ENGINEER F. SHEN	DATE 09-Feb-17
FINISH	APPROVED S. HSIEH	DATE 09-Feb-17
	CAD FILE	

TITLE BNC BULKHEAD DIRECT SOLDER JACK (FOR .141" SEMI RIGID CABLE)	SCALE: 4.0:1.0	SHEET 2 OF 2
DWG SIZE B	REV B	

Amphenol RF www.amphenolrf.com	
DRAWING NO. B6481A1-N/3GT3G-.141-50	
ITEM NO. 016481AAA42NF5F	
PART NO. 112581	