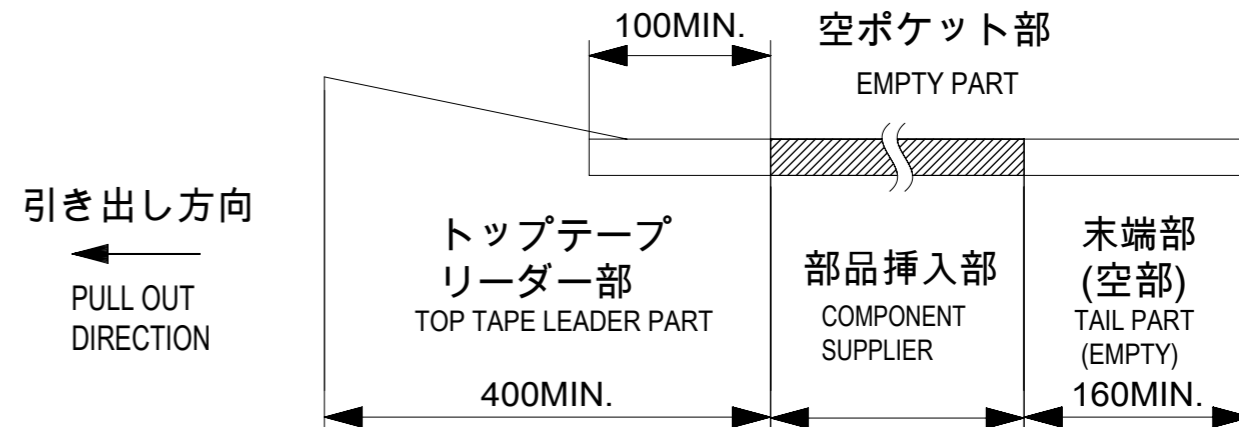


NOTES

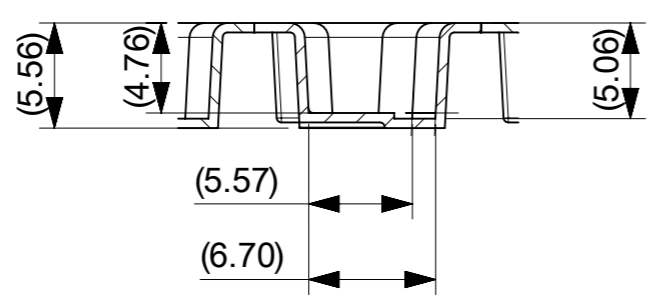
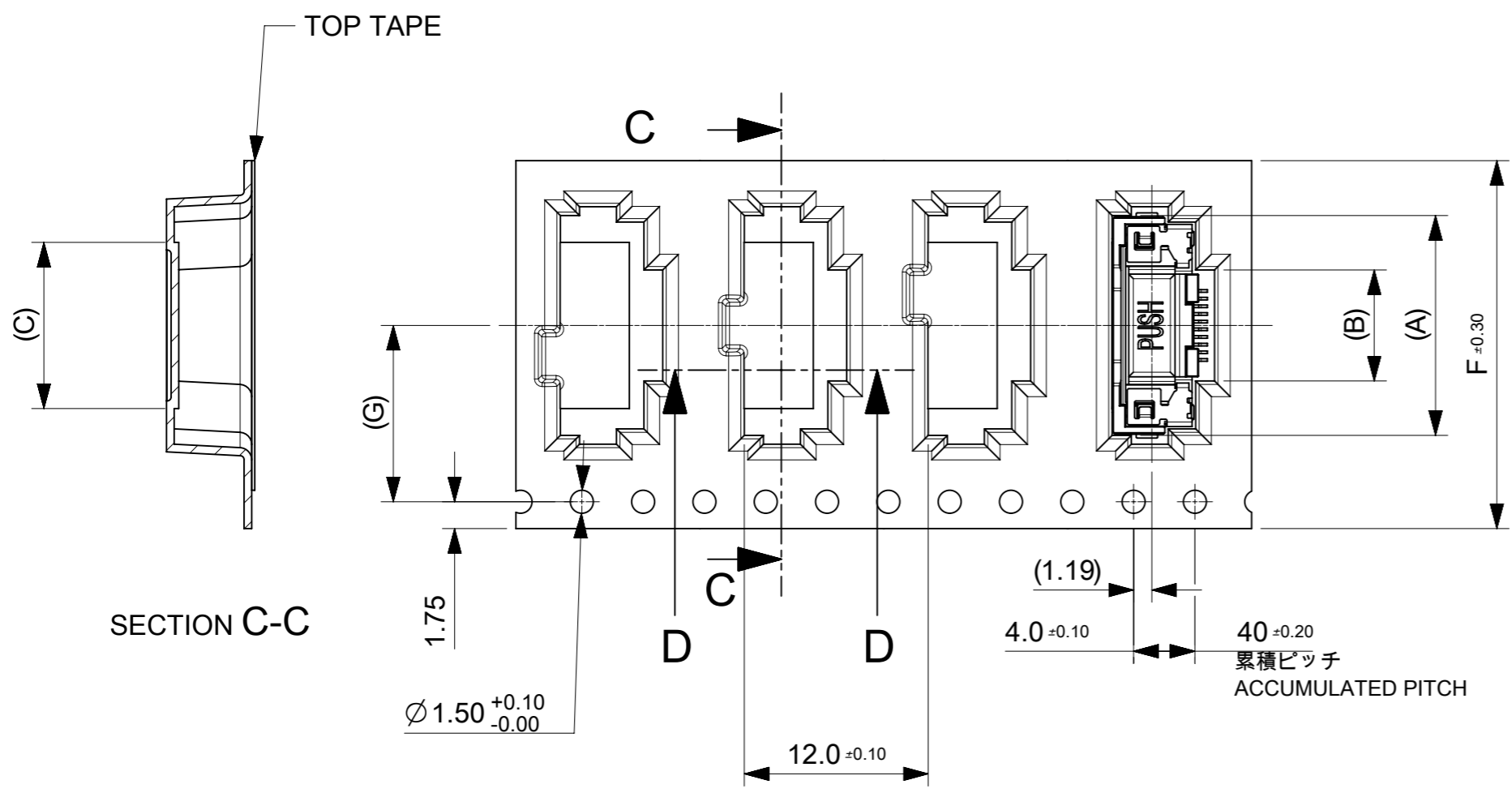
- 梱包数量 : 1500個 / リール
NUMBER OF CONNECTORS : 1500 PCS/REEL.
- リードテープ長さ
LEAD TAPE LENGTH



- カバーテープの剥離強度については、IEC60286-3に準拠。
TOP TAPE PEEL FORCE IS DEFINED BY IEC 60286-3.
- 製品詳細寸法については、図面 2004851400を参照下さい。
FOR DIMENTIONS OF PRODUCT, REFER TO 2004851400
- 材料 MATERIAL
キャリアテープ : ポリスチレン
CARRIER TAPE : POLYSTYRENE
トップテープ : ポリエチレンテレフタレート、ポリエチレン
TOP TAPE : POLYETHYLENE TEREHTHALATE, POLYETHYLENE
リール : ポリスチレン<リサイクル材を含む>
REEL: POLYSTYRENE RECYCLED MATERIAL CONTAINED
- ELV及びRoHS適合品 ELV AND RoHS COMPLIANT.

THIS DRAWING CONTAINS INFORMATION THAT IS PROPRIETARY TO MOLEX ELECTRONIC TECHNOLOGIES, LLC AND SHOULD NOT BE USED WITHOUT WRITTEN PERMISSION		CURRENT REV DESC:		molex		
DIMENSION UNITS	SCALE					
mm	NTS			EMB PKG ONE-TOUCH RA		
GENERAL TOLERANCES (UNLESS SPECIFIED)				PRODUCT CUSTOMER DRAWING		
ANGULAR TOL	± 1.0 °			DOCUMENT NUMBER		
4 PLACES	± 0.1	EC NO: 648126		2004850400		
3 PLACES	± 0.1	DRWN: TYAMANE		PSD		
2 PLACES	± 0.1	CHK'D: YMATSUMOTO		000		
1 PLACE	± 0.1	APPR: SHOSHIKAWA		B		
0 PLACES	± 0.1	INITIAL REVISION:		REVISION		
DRAFT WHERE APPLICABLE MUST REMAIN WITHIN DIMENSIONS		THIRD ANGLE PROJECTION	DRAWING	SERIES	MATERIAL NUMBER	CUSTOMER
			A3-SIZE	200485	SEE TABLE	GENERAL
						SHEET NUMBER
						1 OF 3

引き出し方向
PULL OUT
DIRECTION



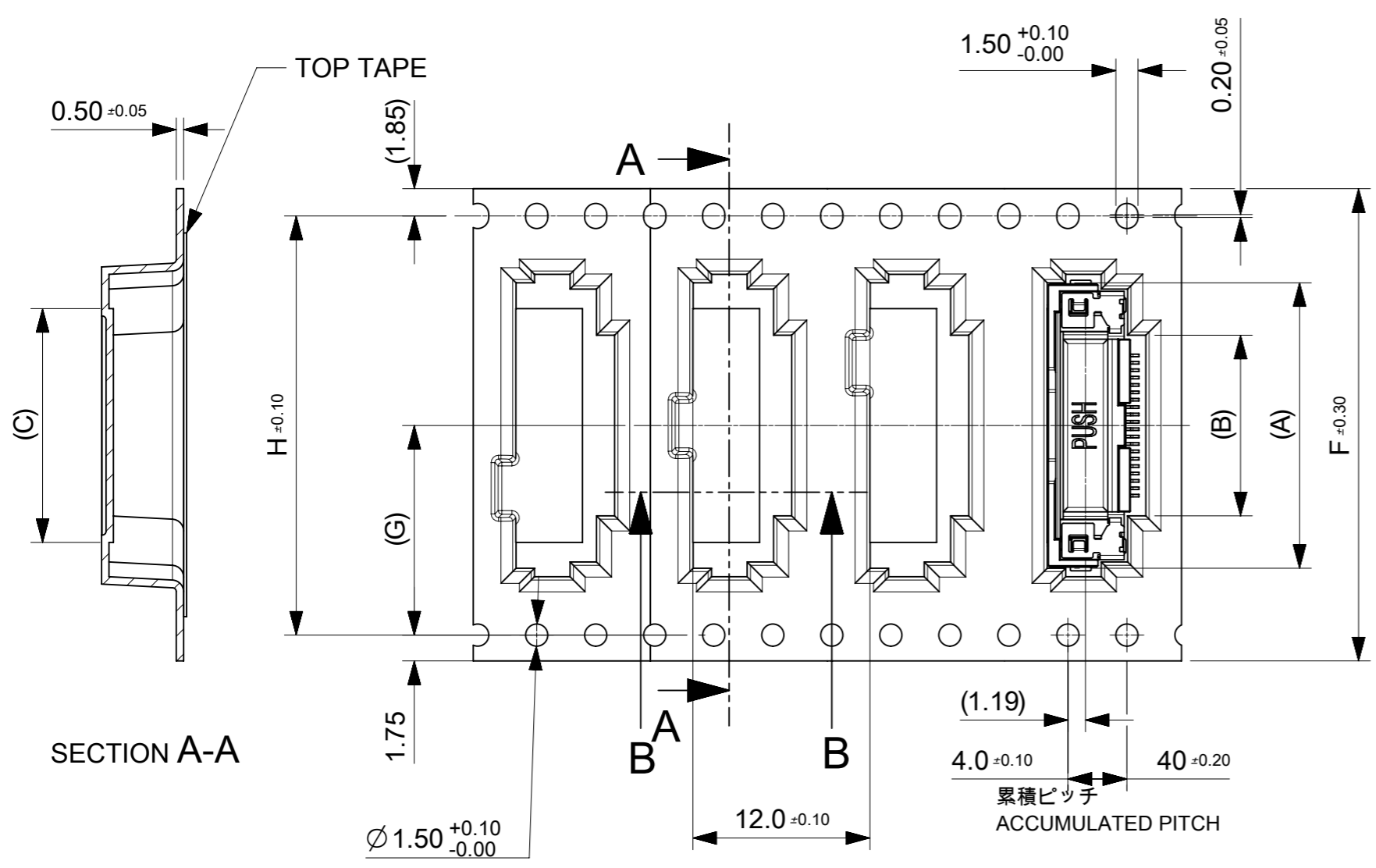
SECTION D-D

11.5	24	29.4	25.4	10.84	7.04	14.34	2004850410		10
G	F	E	D	C	B	A	EMBOSSED PACKAGE		Ckt
							オーダー番号 ORDER NO.		

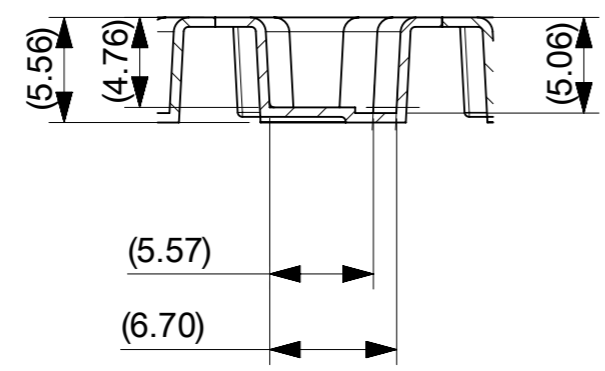
THIS DRAWING CONTAINS INFORMATION THAT IS PROPRIETARY TO MOLEX ELECTRONIC TECHNOLOGIES, LLC AND SHOULD NOT BE USED WITHOUT WRITTEN PERMISSION											
DIMENSION UNITS mm		SCALE NTS		CURRENT REV DESC:						molex	
GENERAL TOLERANCES (UNLESS SPECIFIED)				EC NO: 648126 DRWN: TYAMANE 2020/10/15 CHK'D: YMATSUMOTO 2020/10/30 APPR: SHOSHIKAWA 2020/11/02							
ANGULAR TOL ± 1.0 °				EMBOSSED PACKAGE						EMB PKG ONE-TOUCH RA	
4 PLACES ± 0.1				PRODUCT CUSTOMER DRAWING						DOCUMENT NUMBER	
3 PLACES ± 0.1				INITIAL REVISION:						DOC TYPE	
2 PLACES ± 0.1				DRWN: TYAMANE 2018/09/28						DOC PART	
1 PLACE ± 0.1				APPR: SHOSHIKAWA 2020/06/08						REVISION	
0 PLACES ± 0.1				2004850400						B	
DRAFT WHERE APPLICABLE MUST REMAIN WITHIN DIMENSIONS		THIRD ANGLE PROJECTION		DRAWING A3-SIZE		SERIES 200485		MATERIAL NUMBER SEE TABLE		CUSTOMER GENERAL	
								SHEET NUMBER 2 OF 3			

CONNECTOR NO. 20048514**

引き出し方向
PULL OUT
DIRECTION



SECTION A-A



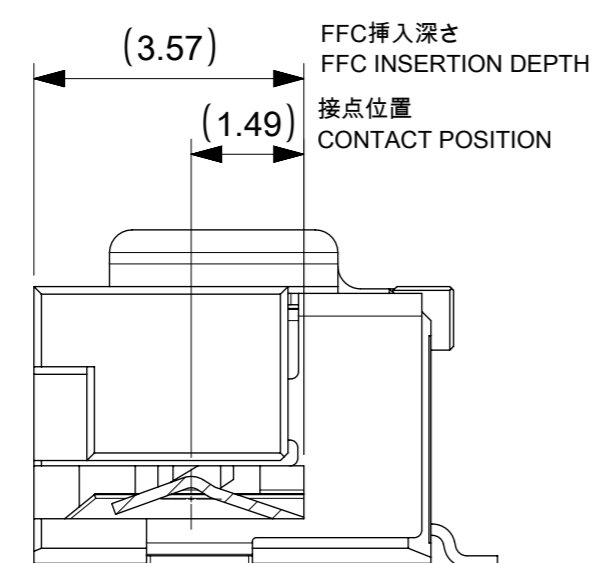
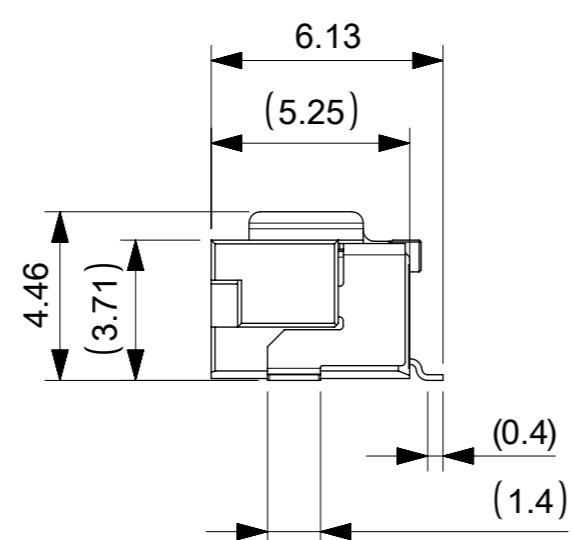
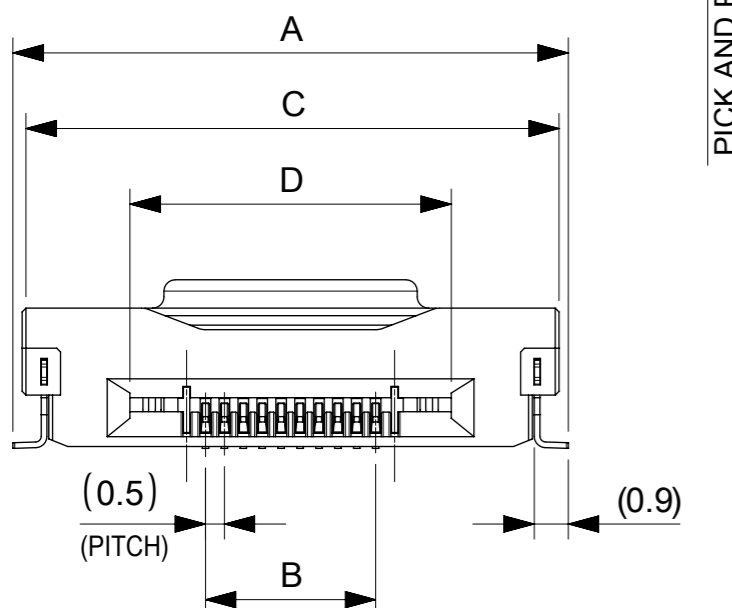
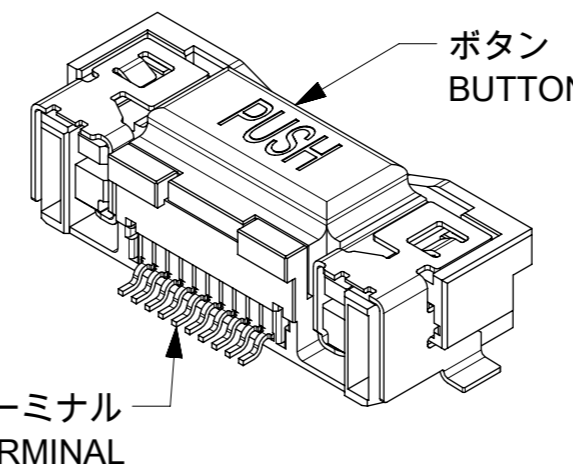
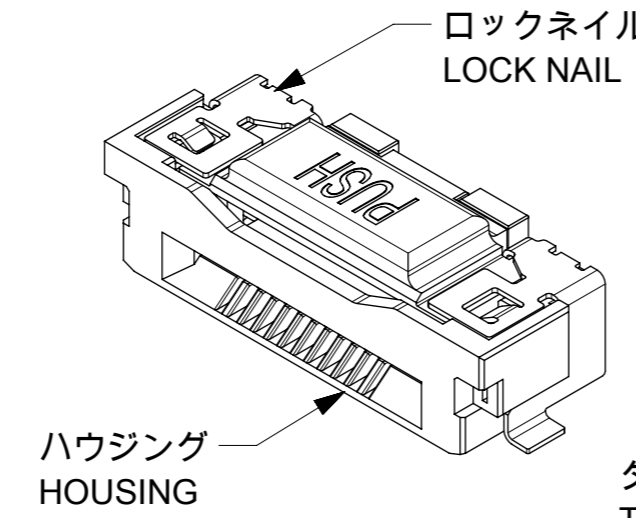
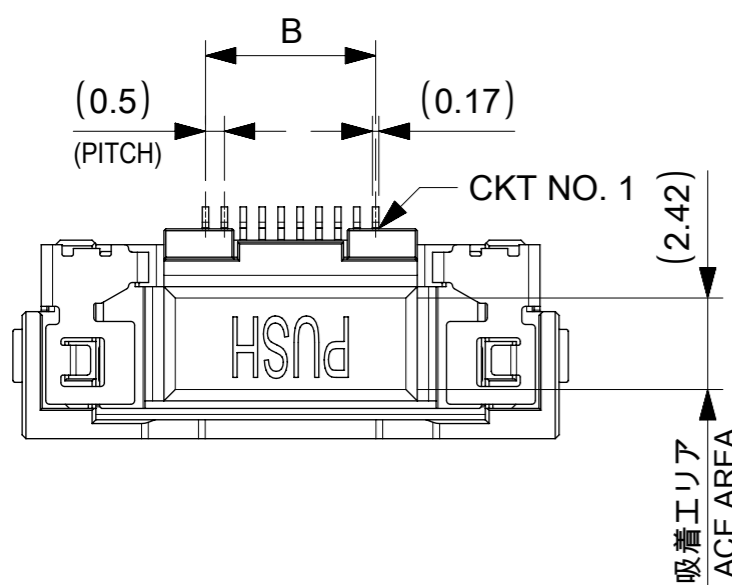
SECTION B-B

CONNECTOR NO. 20048514**

68.4	34.2	72	78.1	73.5	45.84	42.04	49.34	2004850480	80
					40.84	37.04	44.34	2004850470	70
52.4	26.2	56	61.4	75.4	35.84	32.04	39.34	2004850460	60
					31.34	27.54	34.84	2004850451	51
					30.84	27.04	34.34	2004850450	50
40.4	20.2	44	49.4	45.4	25.84	22.04	29.34	2004850440	40
					23.34	19.54	26.84	2004850435	35
					20.84	17.04	24.34	2004850430	30
28.4	14.2	32	37.4	33.4	15.84	12.04	19.34	2004850420	20
H	G	F	E	D	C	B	A	EMBOSSED PACKAGE	Ckt
								オーダー番号 ORDER NO.	

THIS DRAWING CONTAINS INFORMATION THAT IS PROPRIETARY TO MOLEX ELECTRONIC TECHNOLOGIES, LLC AND SHOULD NOT BE USED WITHOUT WRITTEN PERMISSION

DIMENSION UNITS mm	SCALE NTS	CURRENT REV DESC:		molex	
GENERAL TOLERANCES (UNLESS SPECIFIED)		EC NO: 648126			
ANGULAR TOL	± 1.0°	4 PLACES	± 0.1	DRWN: TYAMANE	2020/10/15
3 PLACES	± 0.1	CHK'D: YMATSUMOTO	2020/10/30	PRODUCT CUSTOMER DRAWING	
2 PLACES	± 0.1	APPR: SHOSHIKAWA	2020/11/02	DOCUMENT NUMBER	DOC TYPE DOC PART REVISION
1 PLACE	± 0.1	INITIAL REVISION:		2004850400	PSD 000 B
0 PLACES	± 0.1	DRWN: TYAMANE	2018/09/28	MATERIAL NUMBER	
DRAFT WHERE APPLICABLE MUST REMAIN WITHIN DIMENSIONS		APPR: SHOSHIKAWA	2020/06/08	CUSTOMER	SHEET NUMBER
THIRD ANGLE PROJECTION		DRAWING	SERIES	GENERAL	3 OF 3
A3-SIZE		200485	SEE TABLE		



- NOTES:
- 1.使用材料 MATERIAL
 ハウジング : 液晶ポリマー, ガラス充填, UL94V-0(黒)
 HOUSING : LIQUID CRYSTAL POLYMER, GLASS FILLED, UL94V-0(BLACK)
 ボタン : 液晶ポリマー, ガラス充填, UL94V-0(ナチュラル)
 BUTTON : LIQUID CRYSTAL POLYMER, GLASS FILLED, UL94V-0(NATURAL)
 ターミナル : 銅合金 (t=0.15)
 TERMINAL : COPPER ALLOY
 ロックネイル : 銅合金 (t=0.15)
 LOCK NAIL : COPPER ALLOY
 - 2.めっき仕様 PLATING
 ターミナル TERMINAL
 接点部 : 金めっき 0.1μm以上
 CONTACT AREA : GOLD 0.1 MICROMETER MINIMUM
 半田付け部 : 金めっき
 SOLDER TAIL AREA : GOLD
 下地めっき : ニッケル 1.0μm以上
 UNDERPLATE : NICKEL 1.0 MICROMETER MINIMUM
 ロックネイル LOCK NAIL
 錫めっき (1.0μm以上)
 TIN PLATING (1.0 MICROMETER MIN.)
 - 3.平坦度は0.1ミリ以下とする。
 COPLANALITY TO BE 0.1 MAXIMUM.

1.302	43.5	49.2	39.5	49.69	2004850480	80
1.195	38.5	44.2	34.5	44.69	2004850470	70
1.054	33.5	39.2	29.5	39.69	2004850460	60
0.958	29	34.7	25	35.19	2004850451	51
0.942	28.5	34.2	24.5	34.69	2004850450	50
0.796	23.5	29.2	19.5	29.69	2004850440	40
0.702	21	26.7	17	27.19	2004850435	35
0.650	18.5	24.2	14.5	24.69	2004850430	30
0.505	13.5	19.2	9.5	19.69	2004850420	20
0.359	8.5	14.2	4.5	14.69	2004850410	10
NET WEIGHT (g)	D	C	B	A	EMBOSSED PACKAGE	CIRCUIT

CONNECTOR SERIES NO. 20048514**

THIS DRAWING CONTAINS INFORMATION THAT IS PROPRIETARY TO MOLEX ELECTRONIC TECHNOLOGIES, LLC AND SHOULD NOT BE USED WITHOUT WRITTEN PERMISSION		CURRENT REV DESC:		molex	
DIMENSION UNITS	SCALE				
mm	5:1			0.5FFC CONN. RA ONE TOUCH ASS'Y	
GENERAL TOLERANCES (UNLESS SPECIFIED)				PRODUCT CUSTOMER DRAWING	
ANGULAR TOL	± 1.0°			DOCUMENT NUMBER	
4 PLACES	± 0.1	EC NO: 751302		2004851400	
3 PLACES	± 0.1	DRWN: SISUZUKI		PSD	
2 PLACES	± 0.1	CHK'D: HSHIMUYAMA		000	
1 PLACE	± 0.1	APPR: YNAITO		D	
0 PLACES	± 0.1	INITIAL REVISION:		DOC TYPE	
DRAFT WHERE APPLICABLE MUST REMAIN WITHIN DIMENSIONS		THIRD ANGLE PROJECTION		DOC PART	
		DRAWING		REVISION	
		SERIES			
		MATERIAL NUMBER			
		CUSTOMER			
		SHEET NUMBER			
		A3-SIZE		1 OF 2	
		200485			
		SEE TABLE			
		GENERAL			

