

Type 0AKH Fast-Acting Fuse Series

0AKH Series

RoHS Compliant

Description

1000VDC rated Square Body fuse, designed for EV/ESS

Features

- 1000Vdc ideal for EV or HEV application
- Excellent DC performance
- Full compliance with EU Directive 2011/65/EU and amending directive 2015/863

Applications

EV/HEV/ESS Applications



Physical Specifications

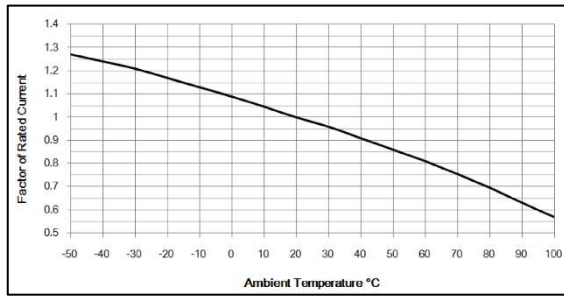
Materials	Body : Ceramic
	Terminals : Tin Plated Copper
Marking	On Fuse :
	"bel", "0AKH", "Current Rating",
	"Interrupting Rating", "Voltage Rating", "Appropriate Safety Logos", "aR"
	On Label :
	"bel", "0AKHX", "Current Rating", "Voltage Rating", "Interrupting Rating", "Appropriate Safety Logos" and "RoHS", "CE" (China RoHS compliant).

Safety Agency Approvals

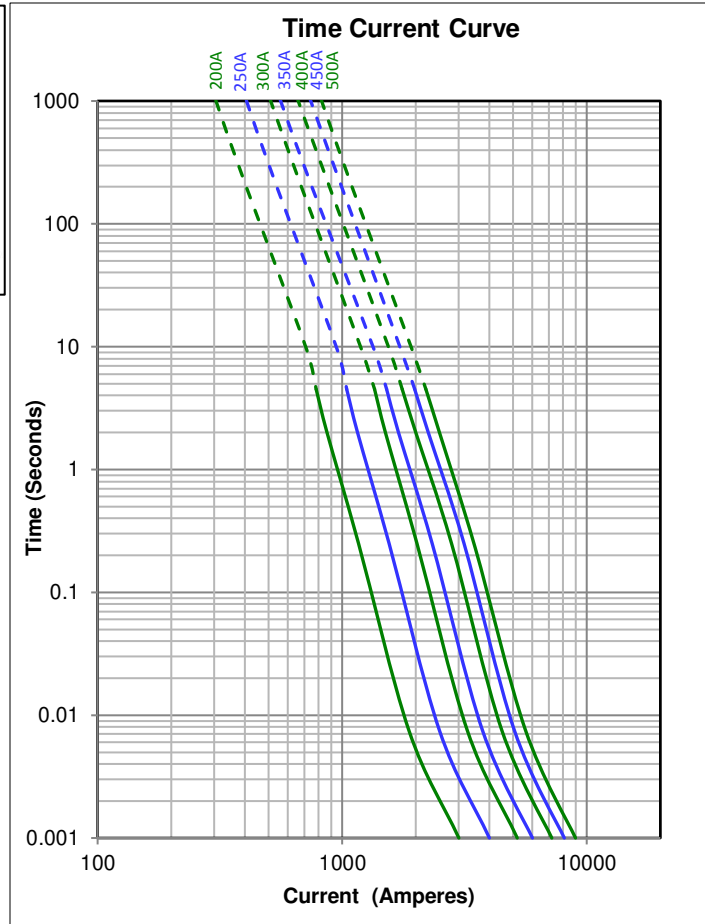
Safety Agency	Safety Agency Certificate	Ampere Rating / Voltage Rating	Ampere Range / Volt @ I.R. ability*
cULus	E491441	200A - 500A/1000V DC	200A – 500A/1000V @ 50kA DC

*I.R.= Interrupting Rating = Short Circuit Rating(Amps)


Temperature Re-Rating Curve



Average Time Current Curve



Electrical Specifications

Part Number	Ampere Rating	Voltage and Interrupting Ratings	I²t (A²sec)		0.5In Power loss (W)	Agency Approvals
			Pre-arcing I²t	Total Clearing I²t		
0AKHxK200-xx	200A	See Table of Ratings on Page 1 for Voltage and associated Interrupting Ratings	5,300	26,800	<7.9	Y
0AKHxK250-xx	250A		9,600	49,980	<10.3	Y
0AKHxK300-xx	300A		13,200	69,300	<12.6	Y
0AKHxK350-xx	350A		21,600	115,000	<14.5	Y
0AKHxK400-xx	400A		28,600	163,000	<17	Y
0AKHxK450-xx	450A		38,200	223,000	<19.5	Y
0AKHxK500-xx	500A		49,600	294,000	<21	Y

Consult manufacturer for other ratings
 *Temperature Rise: <50K with 50% of rated current



Specifications subject to change without notice

Bel Fuse Inc.
 206 Van Vorst Street
 Jersey City, NJ 07302 USA

+1 201.432.0463
 Bel.US.CS@belf.com
belfuse.com/circuit-protection

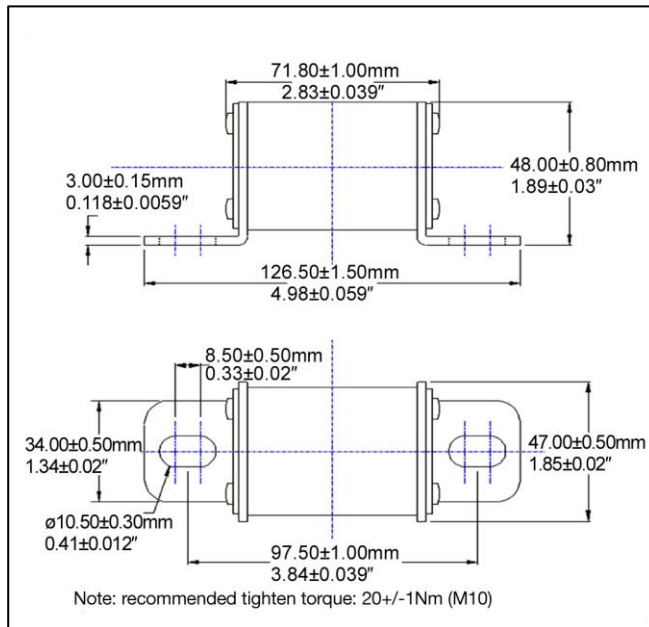
Fuse FGNO Explanation

0AKH X [XXXX] -XX

0AKHB=0AKHB; [XXXX]=Ampere Rating; XX=See Ordering Information as below

Amps	Bel FGNO[XXXX]
200	K200
250	K250
300	K300
350	K350
400	K400
450	K450
500	K500

Mechanical Dimensions



Ordering Information

0AKH B XXXX - B A

FUSE TYPE _____
0AKH

MOUNTING TAB STYLE _____
B = For Stud Mount, Bottom blade

AMPERE RATING _____
Refer to fuse FGNO explanation table

MOUNTING TAB CODE _____
B = Bulk

QUANTITY CODE _____
A = 2pcs/Carton, 18 cartons/Box (36pcs per Box)

Packaging

Packaging Option	Quantity	Packaging Code
Bulk	2pcs/carton, 18cartons/box (36pcs per box)	BA



Specifications subject to change without notice

Bel Fuse Inc.
206 Van Vorst Street
Jersey City, NJ 07302 USA

+1 201.432.0463
Bel.US.CS@belf.com
belfuse.com/circuit-protection