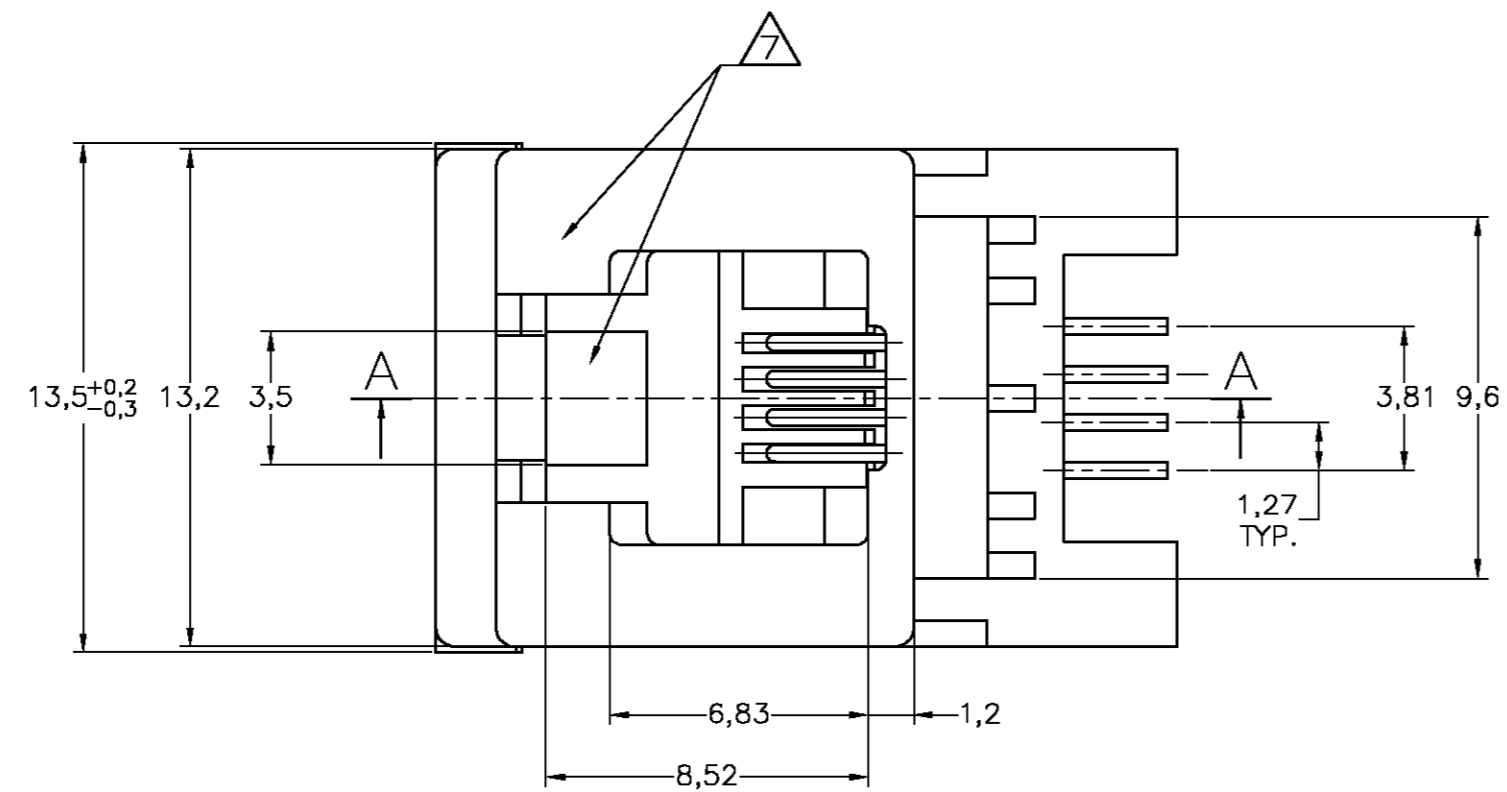


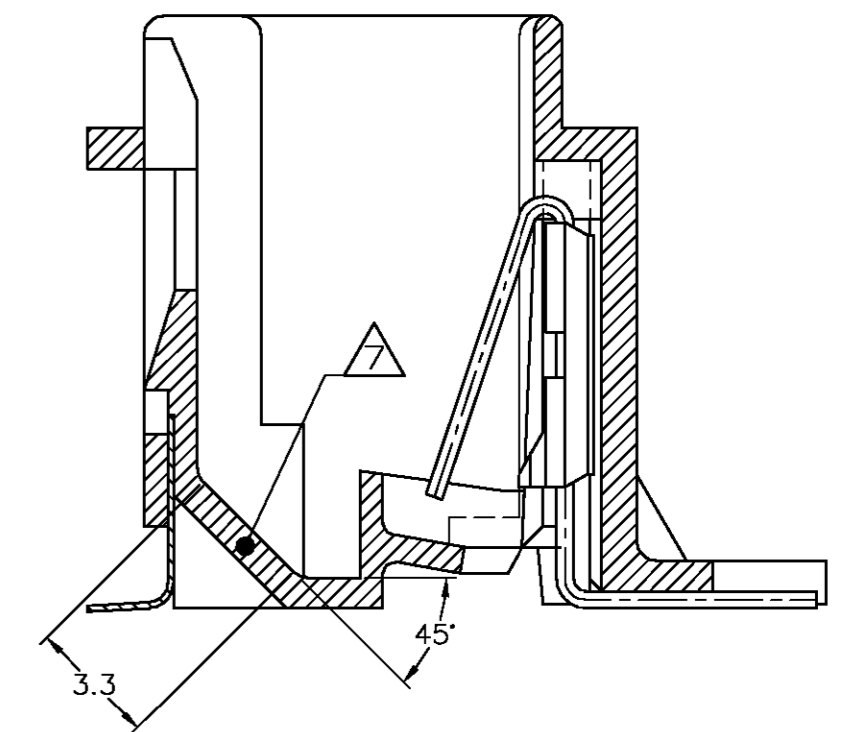
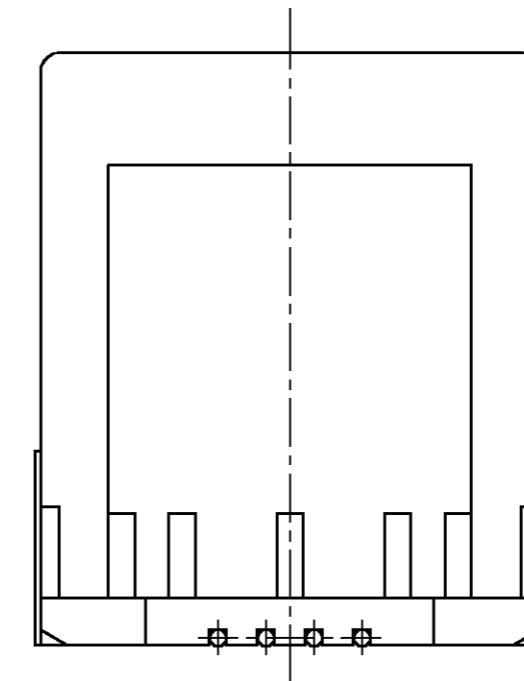
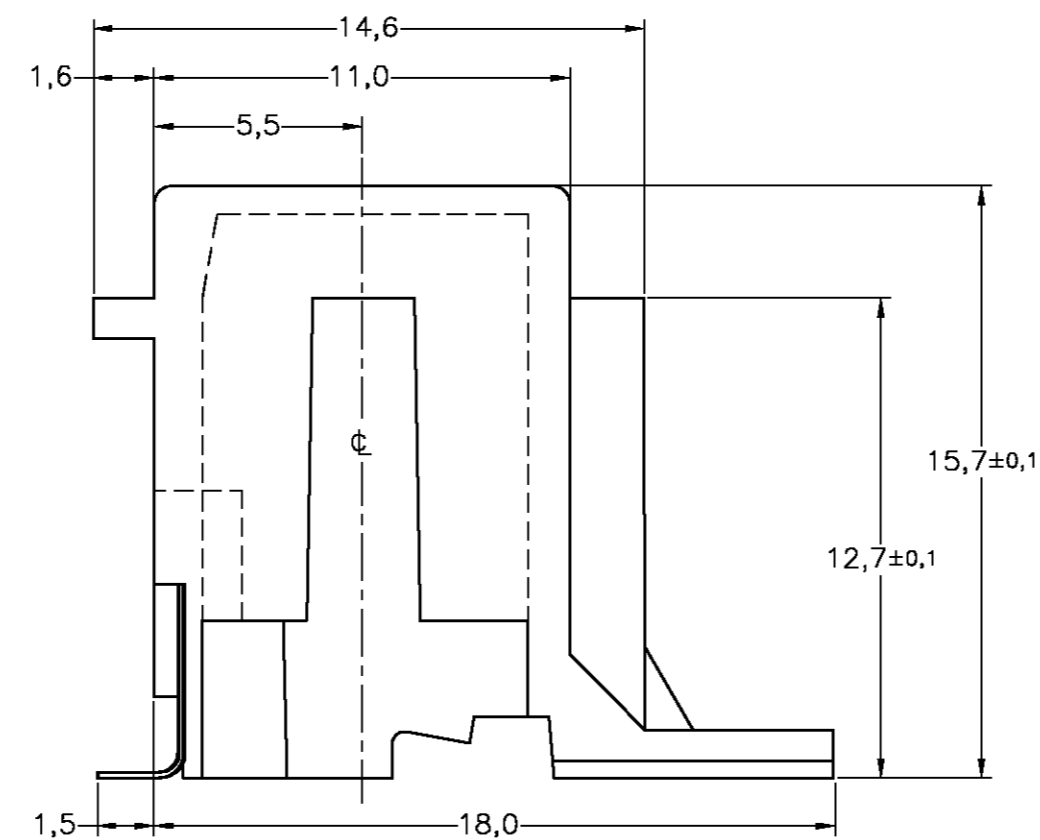
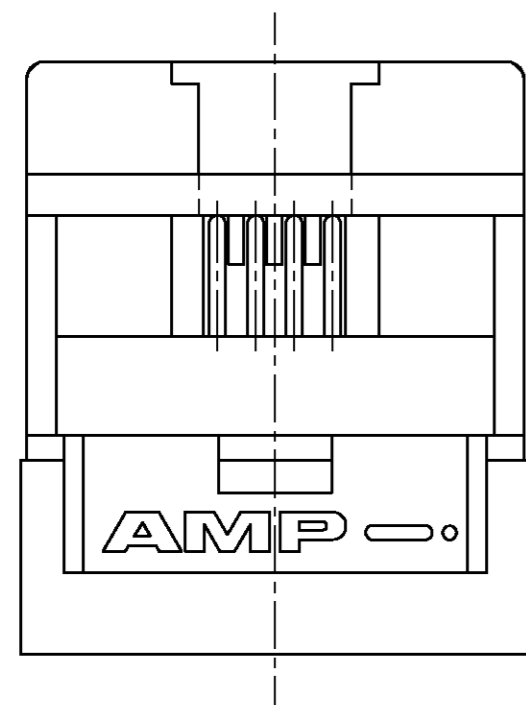
DO NOT SCALE
DIMENSIONS IN mm

METRIC

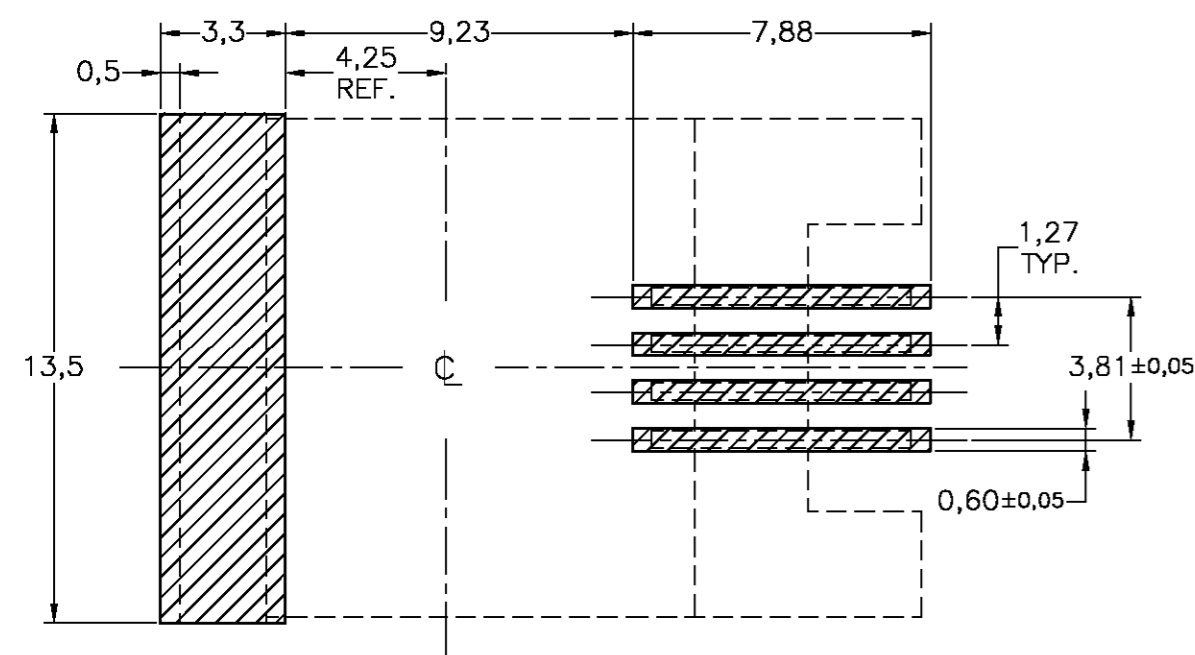
THIRD ANGLE
PROJECTION



- NOTES:
- 1 TOLERANCES UNLESS OTHERWISE SPECIFIED: $\pm 0,15$
 - 2 CONTACTS:
1,25 μm MIN. GOLD OVER 1,25 μm MIN. NICKEL IN CONTACT AREA.
2,0 μm MIN. TIN-LEAD OVER 1,25 μm MIN. NICKEL ON SOLDER TINES.
 - 3 HOUSING:
30% G.F. PA 4.6, COLOR BLACK, UL-94-V0
 - 4 CONTACTS:
PHOSPHOR BRONZE
ADDITIONAL SOLDERBRACKET:
TINPLATED BRASS
 - 5 MODULAR JACKS DELIVERED TAPE MOUNTED ON A REEL. SEE SHEET 2.
 - 6 PRODUCT SPECIFICATION: 108-19117.
APPLICATION SPECIFICATION: 114-19041.
 - 7 SOLDER PASTE THICKNESS 0,15mm ($=0,006''$) MIN.
 - 8 SURFACE CAN BE USED FOR PICKING THE MODULAR JACK WITH A TYPE II SMD MACHINE.



SECTION A-A



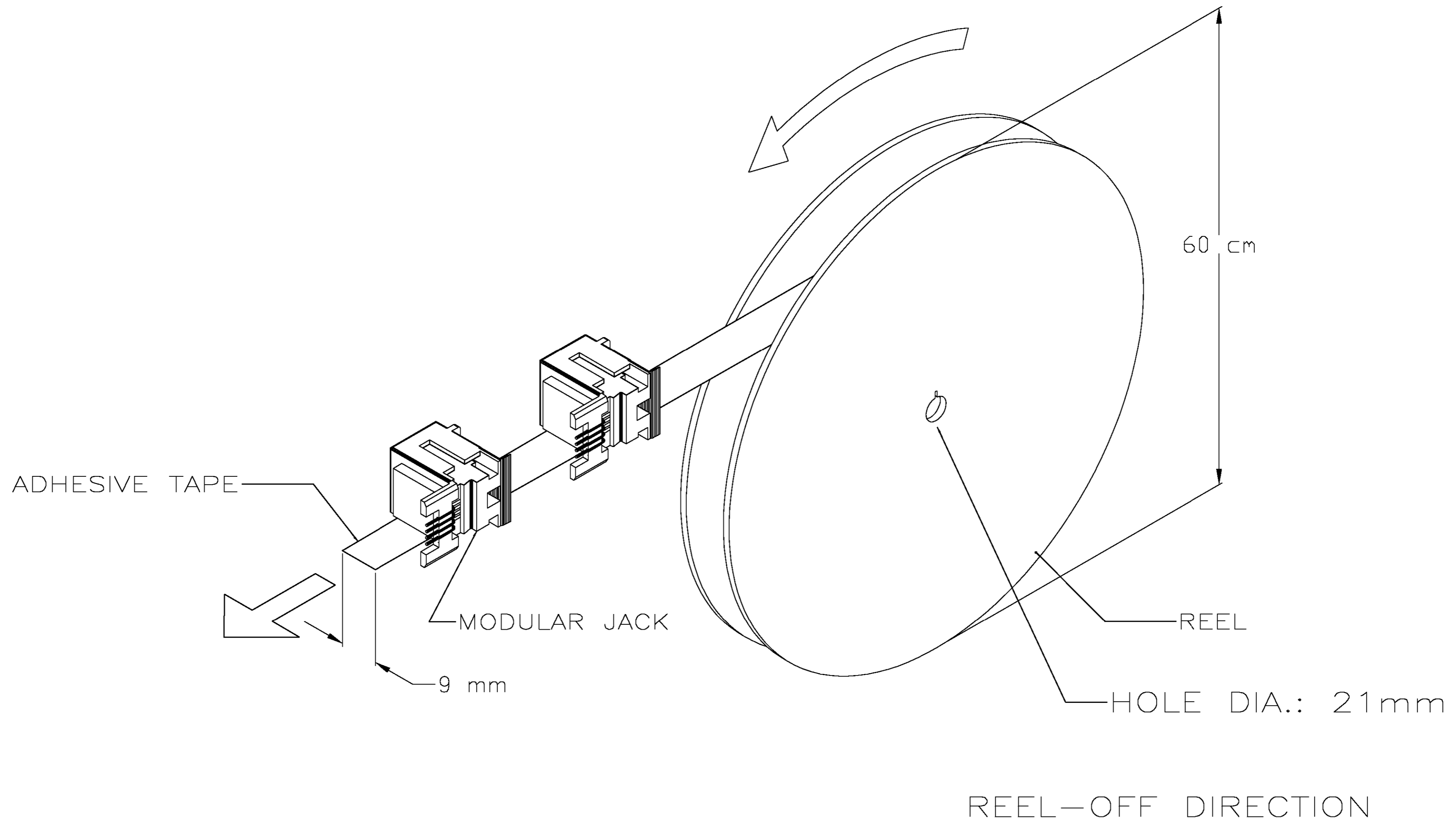
PRINTED CIRCUIT BOARD LAYOUT

4 POS. / 4 CONTACTS	TUBE	40 PCS PER TUBE	3-106176-1
4 POS. / 4 CONTACTS	REEL	600 PCS ON A 60cm DIA REEL SEE SHEET 2	106176-1 Δ
DESCRIPTION	PACKAGING	QTY	PART NUMBER
CUSTOMER DRAWING FOR REFERENCE ONLY WILL NOT BE UPDATED			
<small>© COPYRIGHT 19 BY AMP HOLLAND B.V. ALL INTERNATIONAL RIGHTS RESERVED. AMP PRODUCTS MAY BE COVERED BY U.S. AND FOREIGN AND/OR PATENTS PENDING. THIS DRAWING IS UNPUBLISHED AND/OR PATENTS PENDING. RELEASED FOR PUBLICATION</small>			
tyco Electronics		Tyco Electronics Corporation Oostkamp - BELGIUM	
N	SR10-0418-01	KV KV	28 SEP 01
M	SR10-0106-01	KV KV	09 MAR 01
LTR.	REVISION RECORD	DR. CHK. DATE	
DR.: VEROUGSTRAETE		APP.:	DWG.No.
DATE: 19 JAN 01		DATE:	C-106176
		REV.LTR.	SHEET
		N	1 OF 2
		A2	

DO NOT SCALE
DIMENSIONS IN mm

METRIC

THIRD ANGLE
PROJECTION



				CUSTOMER DRAWING		FOR REFERENCE ONLY WILL NOT BE UPDATED	
				© COPYRIGHT 19 BY AMP HOLLAND B.V.		ALL INTERNATIONAL RIGHTS RESERVED. AMP PRODUCTS MAY BE COVERED BY U.S. AND FOREIGN AND/OR PATENTS PENDING.	
				THIS DRAWING IS UNPUBLISHED		RELEASED FOR PUBLICATION _____, 19____	
				tyco Electronics		Tyco Electronics Corporation Oostkamp - BELGIUM	
				NAME MODULAR JACK, 4 POSITION TOP ENTRY WITH REMOVABLE COVER FOR SURFACE MOUNT APPLICATION			
LTR.	REVISION RECORD	DR.	CHK.	DATE			
DR.: VEROUWSTRAETE	CHK.:	APP.:	DWG.No.		REV.LTR.	SHEET	
DATE: 19 JAN 01	DATE:	DATE:	C-106176		N	2 OF 2	A2