

4-Port PoweredUSB External Hub

Now with advanced DataLine protection

CyberData

The IP Endpoint Company

The CyberData 4-Port PoweredUSB Hub provides a simple and affordable way to add up to four PoweredUSB ports to your PC. With this plug and play upgrade, it is easy to connect POS peripherals which require more than the normal power provided by a standard USB connection, thus eliminating the need for cumbersome power supply bricks.



Features

- Adds 4 PoweredUSB ports
- Translation convertor on all ports
- Advanced DataLine Protection
- One +24 volt at 2.3A
Three +12 volt at 1.5A each
- Short circuit and overcurrent protected
- Designed to support multi-function printer power requirements
- Peripheral power control by stand-by/wake commands
- External LED to show USB port status
- Two year warranty

Advanced DataLine Protection

The CyberData PoweredUSB hub is designed with circuitry that protects the communication and power lines from damage when hot plugging non-PoweredUSB compliant peripherals.

Compatibility

IBM PC Windows 98SE, 2000, & XP compatible.
Apple Computer & Linux also supported.
USB Standard 2.0 is fully supported.
PoweredUSB.Org .08G compliant

External Power Supply

24V, 120W power supply included.

Specifications

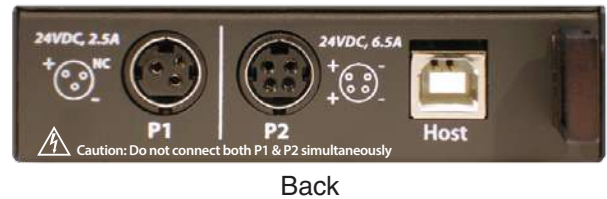
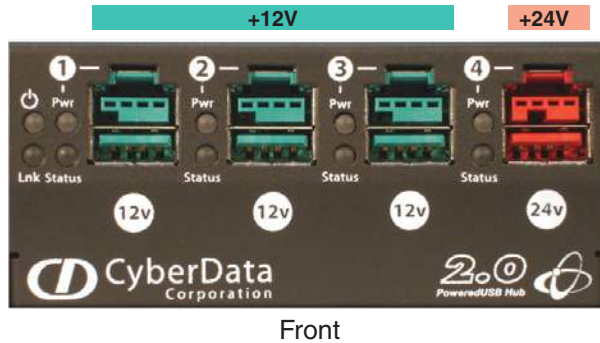
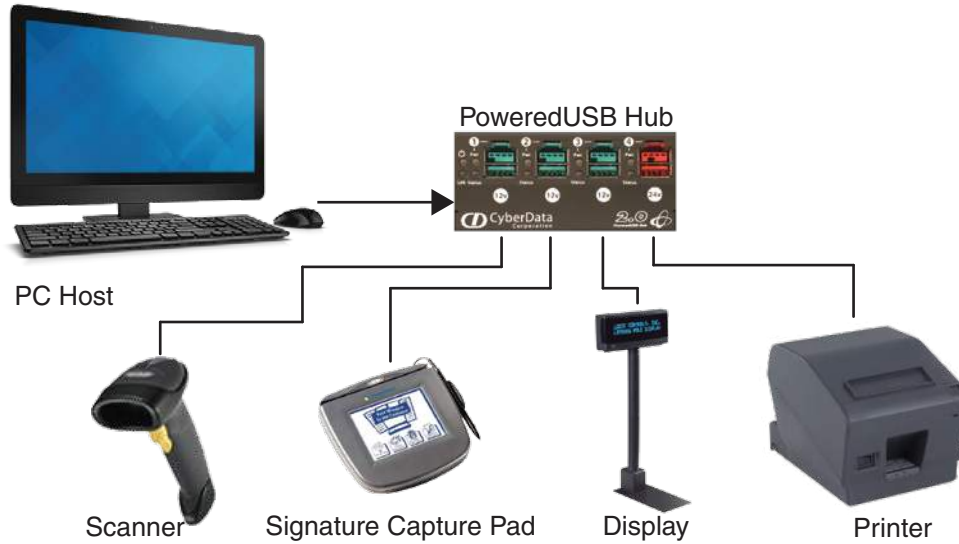
PoweredUSB Ports	4
PoweredUSB Power Output* (Standard)	1 @ 24V 2.3A 3 @ 12V 1.5A each
Port Baud Rates	480Mbps, 12Mbps, 1.5Mbps
Power Input	24 VDC
External LEDs	Power, Link, Status
Dimensions	3.75 inches [95.25 mm] Length 4.25 inches [107.95 mm] Width 1.75 inches [44.45 mm] Height
Weight	1.0 lbs. (0.45 kg)
Boxed Weight	2.6 lbs. (1.15 kg)
Compliance	CE; EMC Directive – Class A EN 55032 & EN 55024, LV Safety Directive – EN 60950-1, RoHS Compliant, FCC; Part 15 Class A, Industry Canada; ICES-3 Class A, IEEE 802.3 Compliant
Warranty	2 year limited
Part Number	010807

*All ports support standard "A" type +5V USB connection.

4-Port PoweredUSB External Hub

Now with advanced DataLine protection

Typical Installation



Host Connector

The Host connector is a standard USB "A" to "B" type cable. Maximum length is 5 meters (16.5 feet) with good quality cable.

For high quality 2.0 compliant PoweredUSB cables, go to the following website:

<http://www.cyberdata.net/cables/>