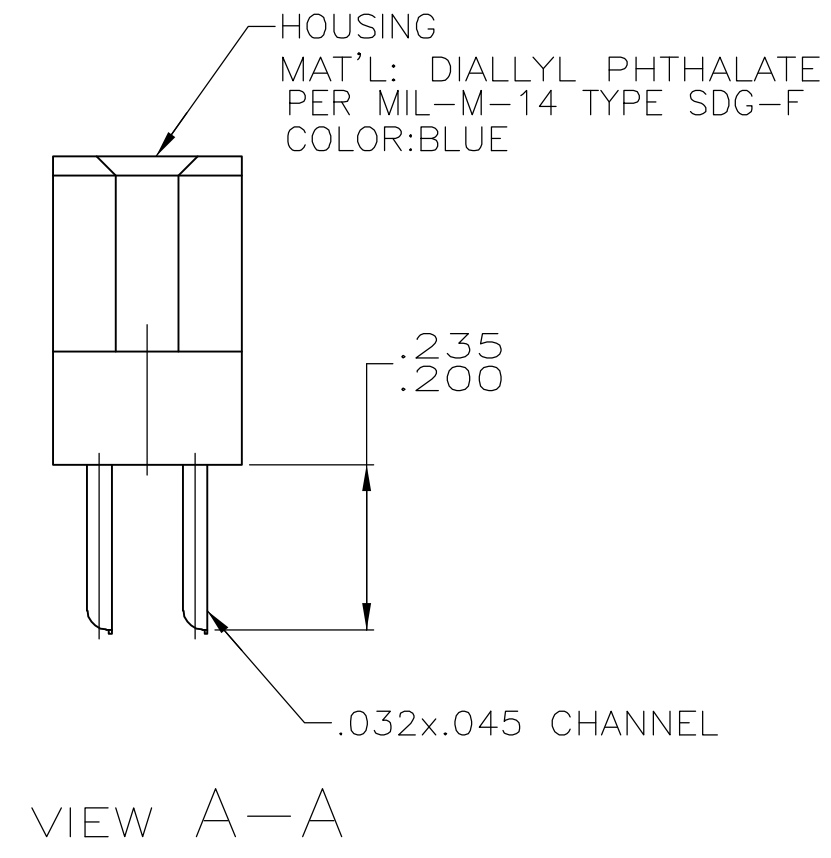
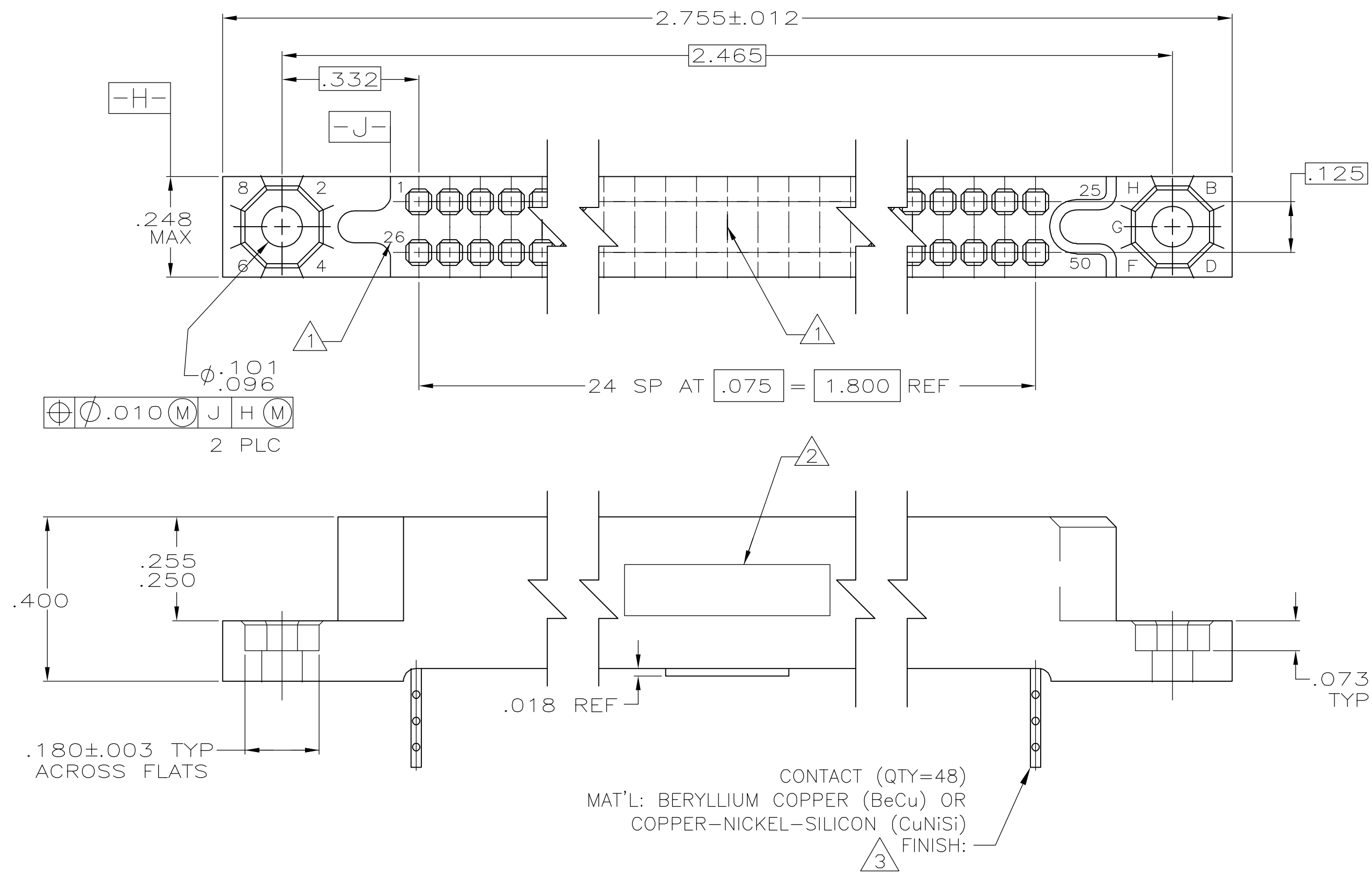


THIS DRAWING IS UNPUBLISHED. RELEASED FOR PUBLICATION  
 © COPYRIGHT BY TYCO ELECTRONICS CORPORATION. ALL RIGHTS RESERVED.

LOC		DIST		REVISIONS			
P	LTR	DESCRIPTION		DATE	DWN	APVD	
	N	REV PER ECO 05-013554		16NOV05	VF	CT	



CONTACT (QTY=48)  
 MAT'L: BERYLLIUM COPPER (BeCu) OR COPPER-NICKEL-SILICON (CuNiSi)  
 FINISH:  $\triangle 3$

OBSOLETE	11 & 50	C141-004-2205	50	1-583514-8
OBSOLETE	5 & 41	C141-004-2202	50	1-583514-7
OBSOLETE	25 & 45	C141-004-2210	50	1-583514-6
OBSOLETE	20 & 37	C141-004-2209	50	1-583514-5
OBSOLETE	19 & 27	C141-004-2208	50	1-583514-4
OBSOLETE	14 & 36	C141-004-2207	50	1-583514-3
OBSOLETE	13 & 28	C141-004-2206	50	1-583514-2
OBSOLETE	8 & 46	C141-004-2204	50	1-583514-1
OBSOLETE	7 & 39	C141-004-2203	50	1-583514-0
OBSOLETE	2 & 32	C141-004-2201	50	583514-9
OBSOLETE	17 & 32	C141-004-2224	50	583514-8
OBSOLETE	16 & 34	C141-004-2223	50	583514-7
OBSOLETE	8 & 43	C141-004-2222	50	583514-6
OBSOLETE	6 & 39	C141-004-2221	50	583514-5
OBSOLETE	4 & 19	C141-004-2214	50	583514-4
OBSOLETE	9 & 17	C141-004-2212	50	583514-3
OBSOLETE	7 & 19	C141-004-2217	50	583514-2
OBSOLETE	4 & 22	C141-004-2211	50	583514-1

- $\triangle 1$  NUMBERS AND LINES, INDICATING EVERY FIVE CAVITIES, MOLDED OR MARKED ON MATING FACE.
- $\triangle 2$  CUSTOMER PART NO., AMP, DATE CODE AND AMP PART NO. MARKED IN THIS AREA.
- $\triangle 3$  CONTACT FINISH: .000030 MIN GOLD IN CONTACT ENGAGEMENT AREA. .000100 MIN TIN-LEAD ON TAILS, OVER .000030 MIN NICKEL ON ENTIRE CONTACT.
- $\triangle 4$  CAVITY DRILLED FOR KEYING, WILL ACCEPT KEYING PIN ON MATING CONNECTOR. SEE TABLE FOR LOCATION.

LOCATION OF KEYING HOLES $\triangle 4$	CUSTOMER MARKING $\triangle 2$	NO OF POSN	ASSEMBLY NUMBER
--	--------------------------------	------------	-----------------

THIS DRAWING IS A CONTROLLED DOCUMENT.

DWN	C.C.THOMAS	1-13-97
CHK	D.MILLER	2-7-97
APVD	D.MILLER	2-7-97
PRODUCT SPEC		
APPLICATION SPEC		
WEIGHT		

**tyco Electronics** Tyco Electronics Corporation  
 Harrisburg, PA 17105-3608

NAME: BOX RCPT ASSY.,075  
 WITH: ,WITH

SIZE	CAGE CODE	DRAWING NO	RESTRICTED TO
A2	00779	C=583514	

CUSTOMER DRAWING SCALE 4:1 SHEET 1 of 1 REV N