

PART NAME: KNOB      SCALE: 1:1      DATE: 4/18/13      DR. BY JAM

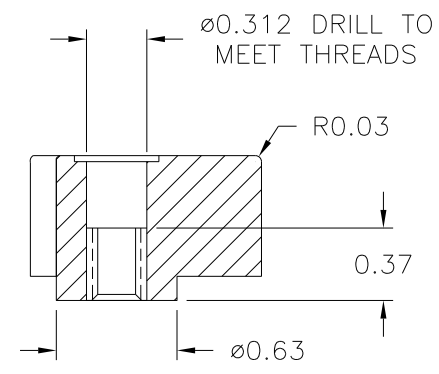
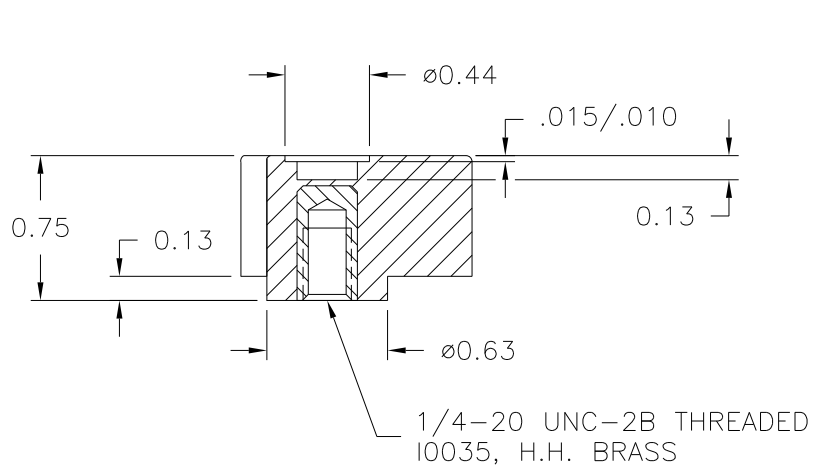
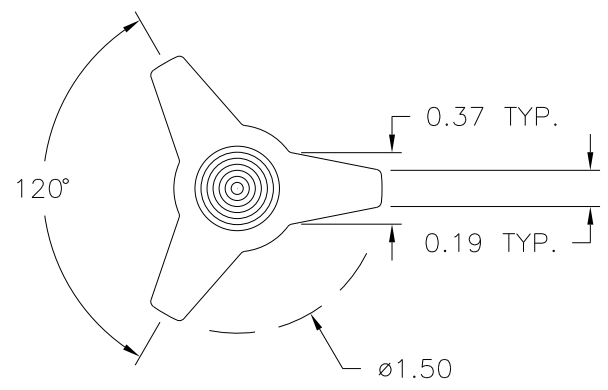
THIS DRAWING IS THE PROPERTY OF DAVIES MOLDING COMPANY, IS SUBMITTED SOLELY AS A DESIGN OR ENGINEERING PROJECT. WE ACCEPT NO RESPONSIBILITY WHATSOEVER FOR THE PRACTICAL APPLICATION OF THE PIECES MADE TO THIS DESIGN.



DESIGNERS & MANUFACTURERS OF KNOBS, HANDLES, CASES & CUSTOM PLASTIC COMPONENTS

P/N 3035JD  
BASE PART 3035-01

CUSTOMER: MCMASTER CARR



MATERIAL: G.P. PHENOLIC (B11)  
COLOR: BLACK

TOLERANCES: UNLESS OTHERWISE SPECIFIED	DO NOT SCALE DRAWING				
DECIMALS: X.XXX ± .005 X.XX ± .015	MM: X.XX ± 0.15MM X.X ± 0.4MM	B	ADDED BASE PART	JAM	4/18/13
		A	ADDED INNER & OUTER PINS, CORRECTED TOOLING BOX	TS	10/25/02
		-	REDRAWN	TL	11/16/99
FRACTIONS ± 1/64	ANG. ± 1°	CHANGES			