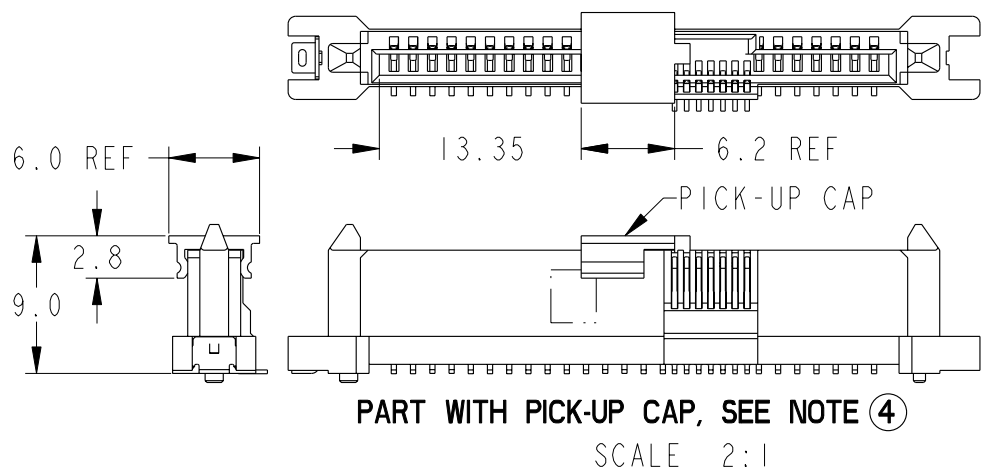
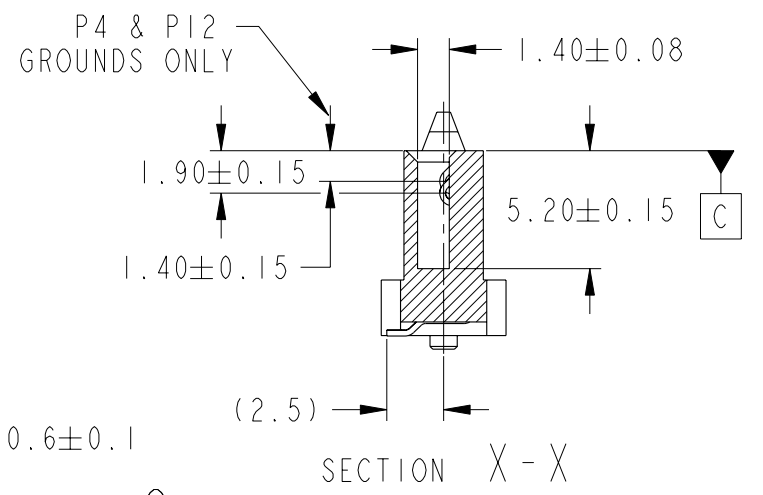
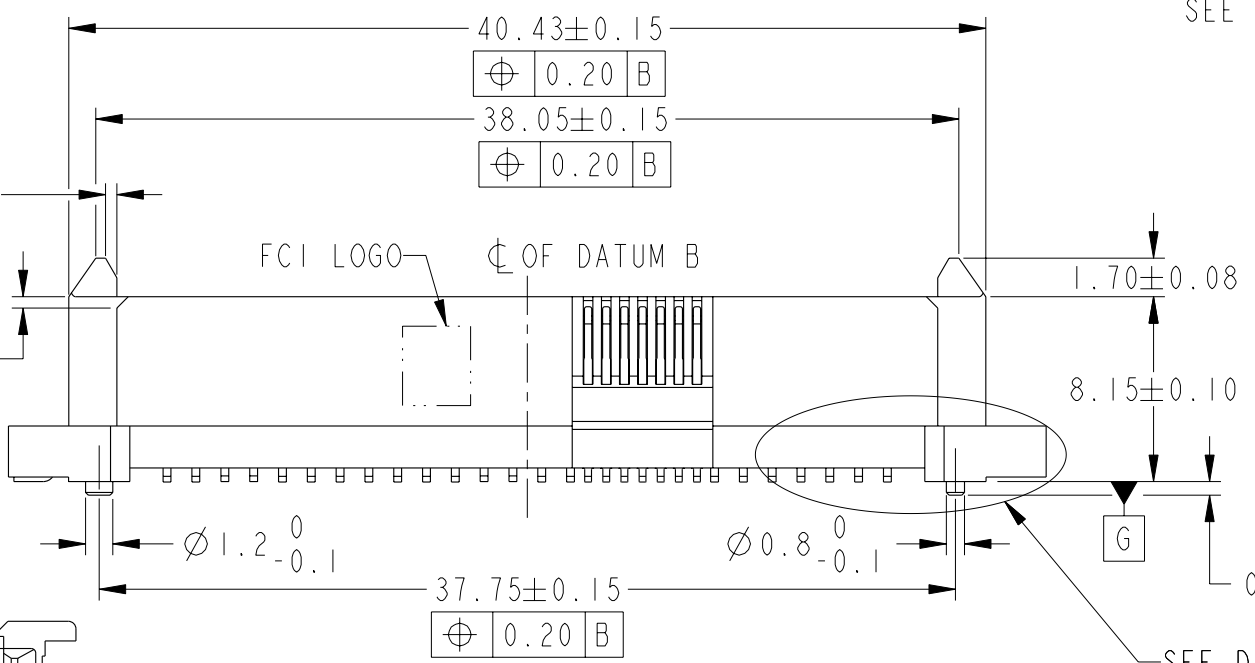
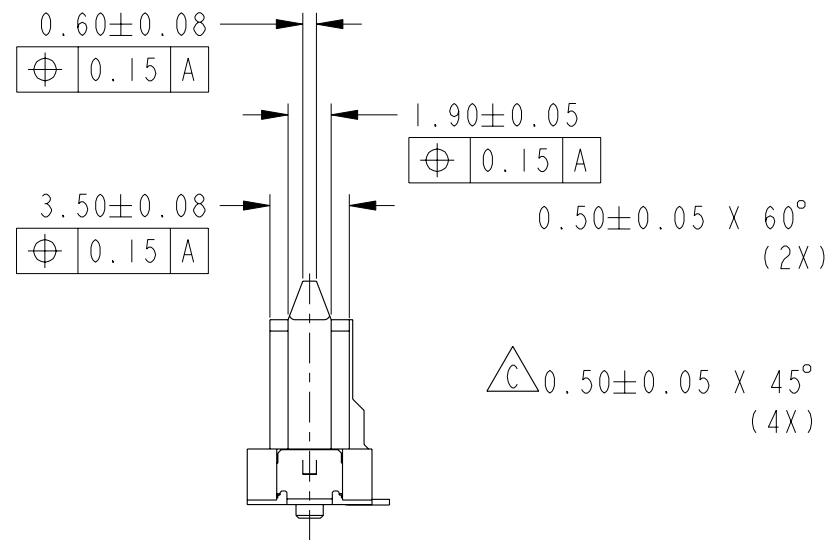
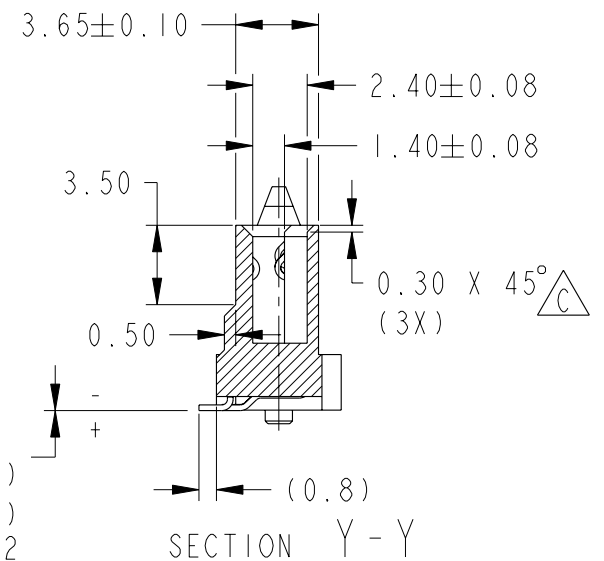
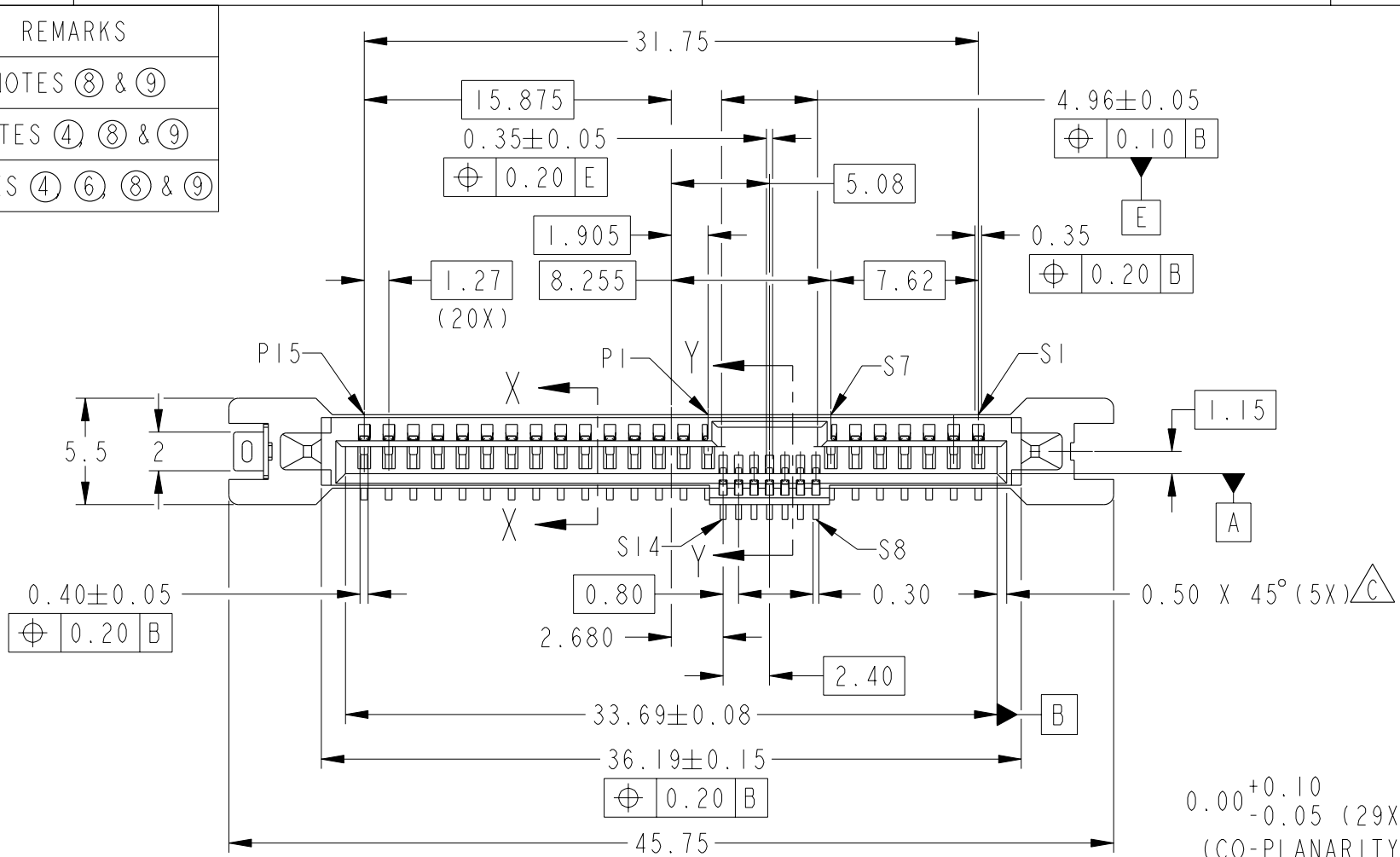


PRODUCT NO	METAL CLIP	REMARKS
10077259-001LF	1 PC	NOTES ⑧ & ⑨
10077259-001CLF		NOTES ④, ⑧ & ⑨
10077259-001C-TRLF		NOTES ④, ⑥, ⑧ & ⑨



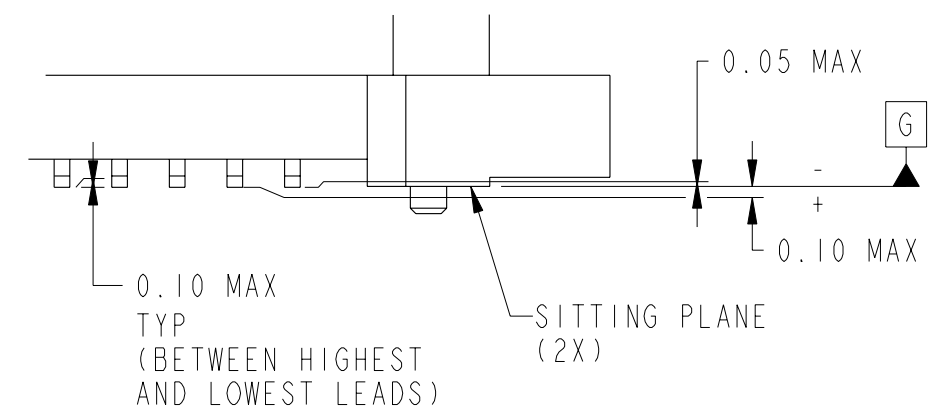
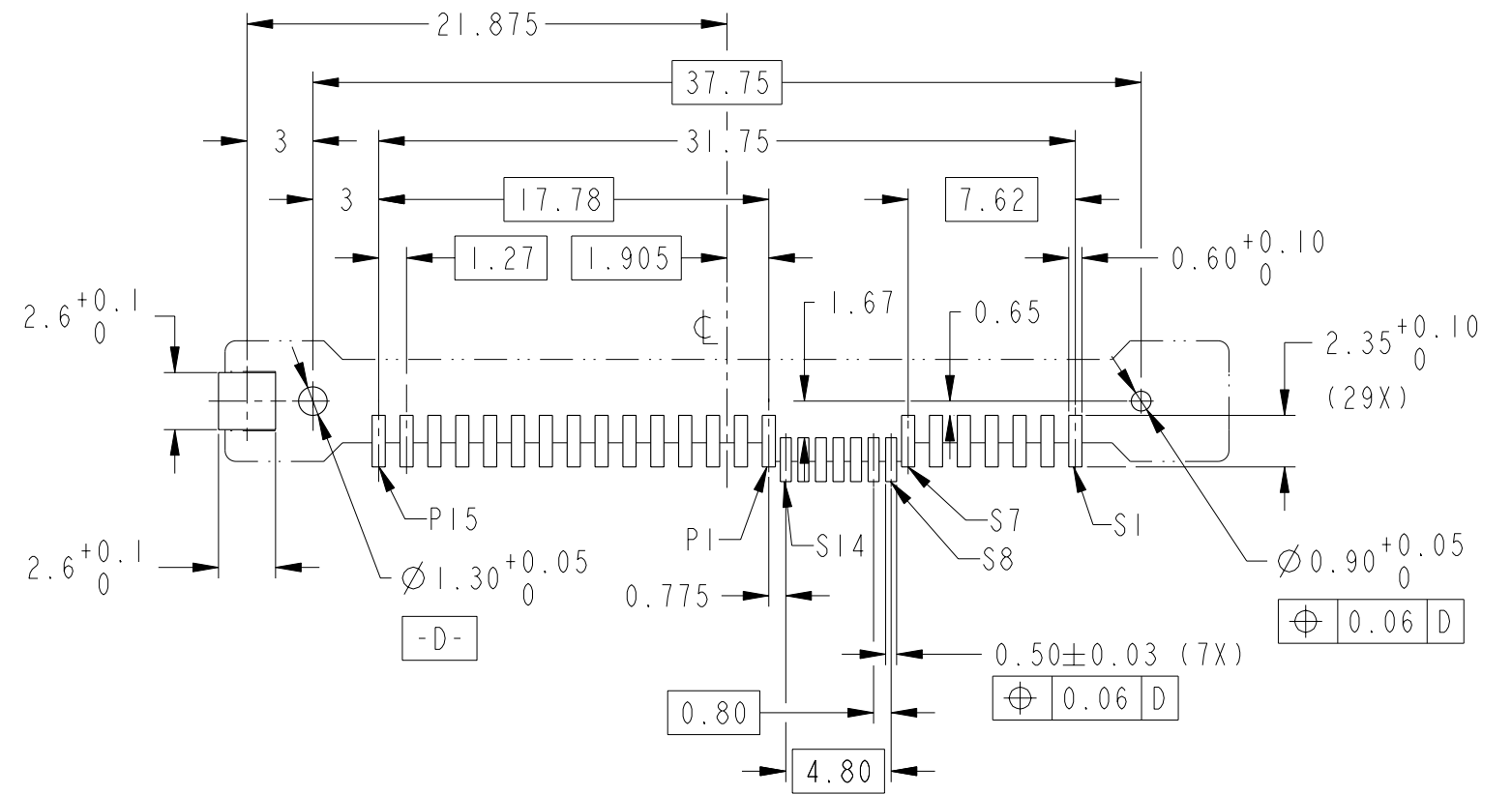
spec ref	-	dr	GL LOO	2007-03-06	projection	MM	size	A3	scale	3:1		
tolerance std	ISO 406 ISO 1101	eng	GL LOO	2007-03-06	⊕	←→	ecn no	S10-0228				
TOLERANCES UNLESS OTHERWISE SPECIFIED		chr	GL LOO	2010-10-28			product family	SAS	rel level	-		
surface	✓	appr	JOEY NG	2010-10-28	SAS			rel level	-			
ISO 1302	linear	0.X	±		SAS RECEPTACLE			dwg no	10077259		rev	C
		0.XX	±0.20		VERTICAL SMT TYPE ASSY							
	angular	0°	±2°		www.fci.com			cat. no.	-		Product - Customer Drw	
											sheet 1 of 3	



Copyright FCI.

PRODUCT NO
SEE TABLE

RECOMMENDED PCB LAYOUT



DETAIL 2
SCALE 6:1

NOTES:

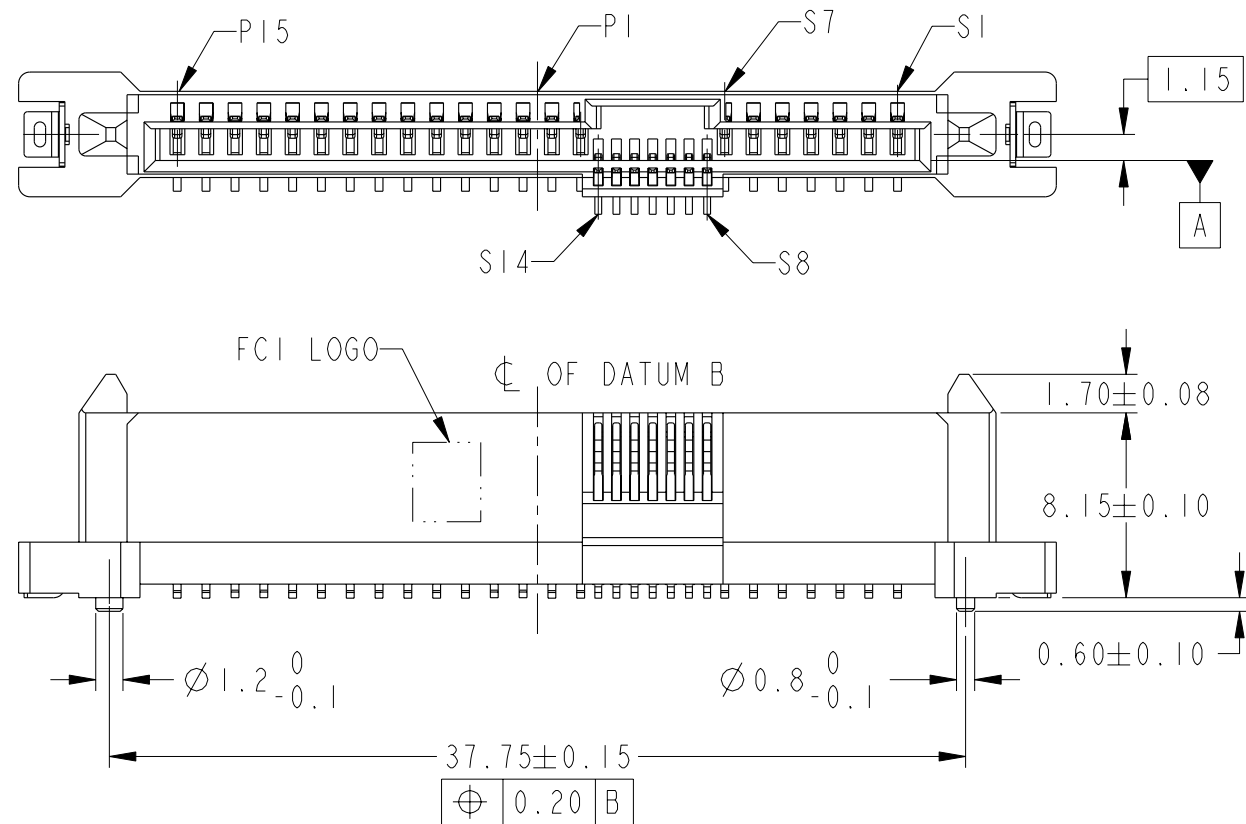
1. MATERIAL :
1) HOUSING : HIGH TEMP THERMOPLASTIC, UL 94V-0, BLACK COLOR
2) TERMINAL : COPPER ALLOY
3) HOLD DOWN : COPPER ALLOY
2. FINISH :
1) TERMINAL : 30μ" Au PLATING (CONTACT POINT) OVER 50μ" NICKEL
2) SOLDER TAIL : 100μ" MIN Sn OVER 50μ" NICKEL
3) HOLD DOWN : 100μ" MIN Sn OVER 50μ" NICKEL
- ③ PER SFF REV 1.1
- ④ PART WITH PICK-UP CAP, P/N XXXXXXXX-XXXC LF.
- ⑤ THE STD PACKAGING IS IN TRAY
- ⑥ FOR TAPE & REEL PACKAGING, SUFFIX "-TR" ADDED, P/N XXXXXXXX-XXXC-TR LF
7. THE HOUSING WILL WITHSTAND EXPOSURE TO 260°C PEAK TEMPERATURE FOR 10 SECONDS IN A CONVECTION, INFRA-RED OR VAPOR PHASE REFLOW OVEN.
- ⑧ THIS PRODUCT MEETS EUROPEAN UNION DIRECTIVES AND OTHER COUNTRY REGULATIONS AS DESCRIBED IN GS-22-008.
- ⑨ PART NUMBERS ENDING IN "LF" MEANS FOR NOTE 8 LEAD . FREE IDENTIFICATION.
10. A $\triangle C$ SYMBOL WILL BE NEXT TO ANY DIMENSION, VIEW, OR NOTE WHICH HAS BEEN MODIFIED WITH THE CURRENT DRAWING REVISION.

spec ref	-	dr	GL LOO	2007-03-06	projection	MM	size	A3	scale	3:1		
tolerance std	ISO 406 ISO 1101	eng	GL LOO	2007-03-06			ecn no	S10-0228				
TOLERANCES UNLESS OTHERWISE SPECIFIED		chr	GL LOO	2010-10-28			product family	SAS		rel level	-	
surface	ISO 1302	appr	JOEY NG	2010-10-28			rel level	-				
	linear	0.X	±-		SAS RECEPTACLE VERTICAL SMT TYPE ASSY		dwg no	10077259		rev	C	
		0.XX	±0.20				cat. no.	-		Product - Customer Drw		sheet 2 of 3
	angular	0°	±2°				www.fci.com		Product - Customer Drw		sheet 2 of 3	



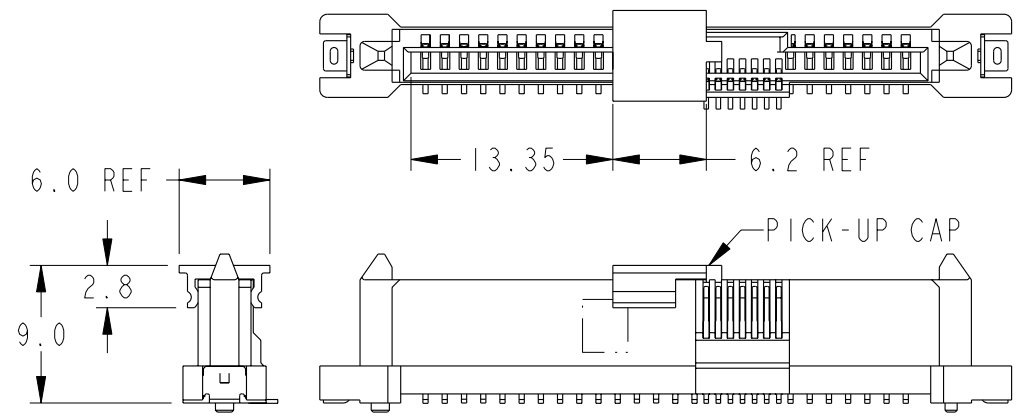
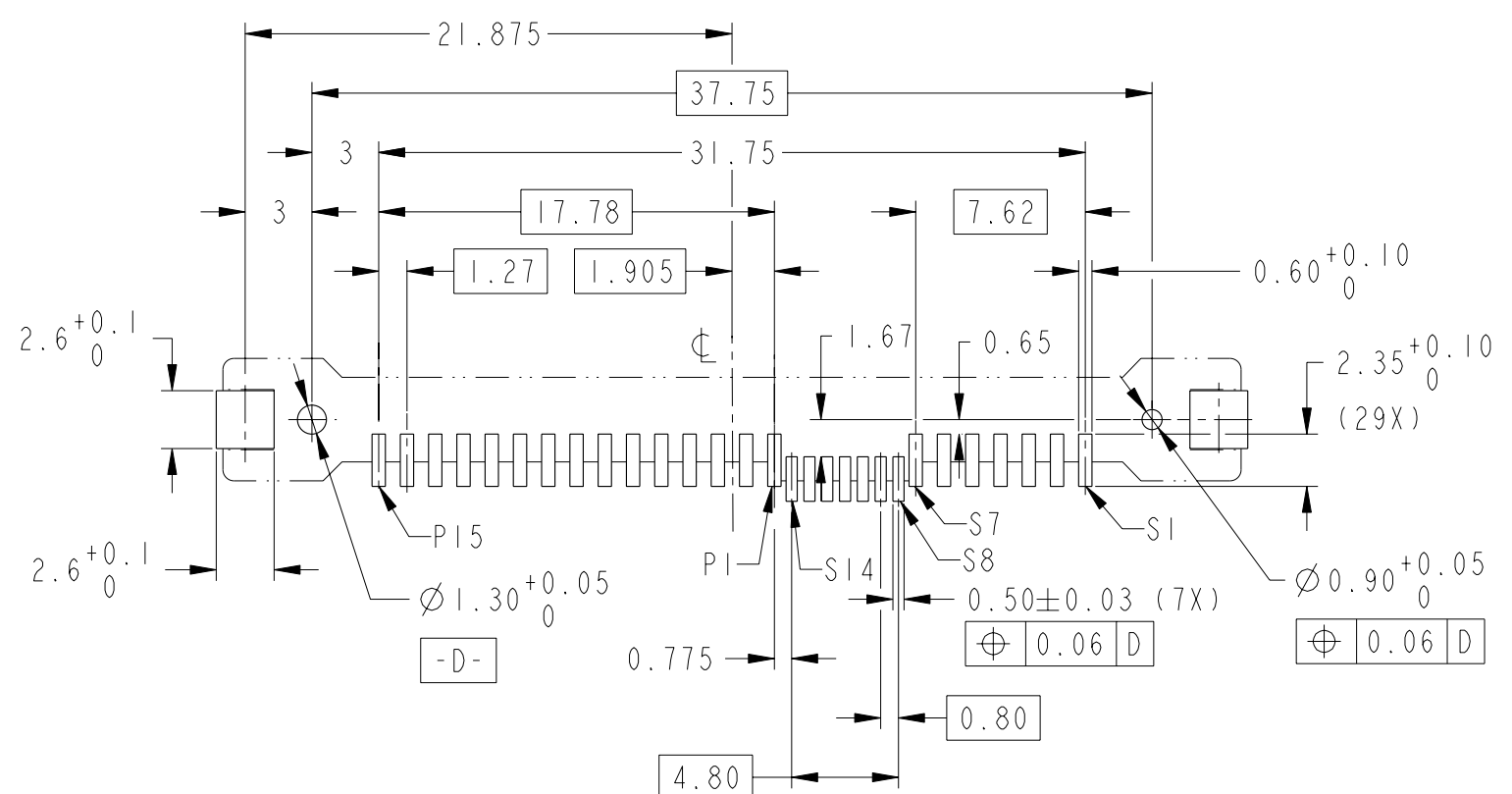
Copyright FCI.

PRODUCT NO	METAL CLIP	REMARKS
10077259-002LF	2 PCS	NOTES ⑧ & ⑨
10077259-002CLF		NOTES ④, ⑧ & ⑨
10077259-002C-TRLF		NOTE ④, ⑥, ⑧ & ⑨



NOTES:
ALL OTHER DIMENSIONS, REFER TO SHEET 1.

RECOMMENDED PCB LAYOUT



PART WITH PICK-UP CAP, SEE NOTE ④
SCALE 2:1

spec ref	-	dr	GL LOO	2007-03-06	projection	MM	size	A3	scale	3:1	
tolerance std	ISO 406 ISO 1101	eng	GL LOO	2007-03-06			ecn no	S10-0228			
TOLERANCES UNLESS OTHERWISE SPECIFIED		chr	GL LOO	2010-10-28			product family	SAS	rel level	-	
surface	✓	appr	JOEY NG	2010-10-28			cat. no.	-	Product - Customer Drw	sheet 3 of 3	
ISO 1302	linear	0.X	±		SAS RECEPTACLE VERTICAL SMT TYPE ASSY		dwg no	10077259		rev	C
	angular	0°	±2°		www.fci.com						

Copyright FCI.