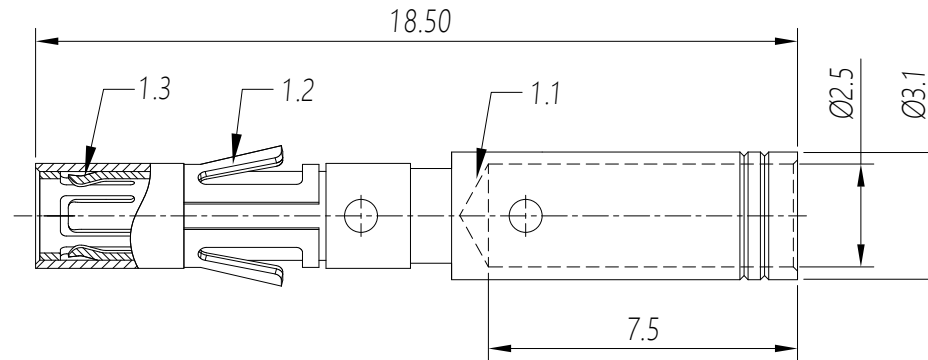


REVISIONS					
REV	ECO	DESCRIPTION	DATE	BY	APPR
B1	-	RELEASED DRAWING	JULY-1-2014	BEN	TOMMY



NOTES: (UNLESS OTHERWISE SPECIFIED)

1. MATERIAL:

- 1.1. CONTACT BODY: COPPER ALLOY.
- 1.2. POSITIONING CLIP: COPPER ALLOY.
- 1.3. CROWN CONTACTS: COPPER ALLOY.

2. SPECIFICATIONS:

- 2.1 CURRENT RATING: 13A(MAX).
- 2.2 TERMINATION TYPE: CRIMPING.
- 2.3 WIRE RANGE: 16~14AWG.

3. SUITABLE SOCKET TYPE: MP14M23xx.

4. ROHS COMPLIANT.

5. ALL DIMENSIONS ARE FOR REFERENCE USE ONLY.

P/N	CONTACT PLATING(MATING AREA)
MS14M23T	TIN PLATING OVER NICKEL.
MS14M23S	SILVER PLATING OVER NICKEL.
MS14M23F	GOLD FLASH PLATING OVER NICKEL.
MS14M23G10	10μ" GOLD PLATING OVER NICKEL.
MS14M23G15	15μ" GOLD PLATING OVER NICKEL.
MS14M23G30	30μ" GOLD PLATING OVER NICKEL.

QUANTITY	PART NUMBER	DESCRIPTION	ITEM
MATERIALS LIST			
<small>UNLESS OTHERWISE SPECIFIED: 1) All dimensions are in metric(mm). 2) Tolerances are as follows: 1 PL DEC ±0.30 2 PL DEC ±0.15 3 PL DEC ±0.08 Fractions ±1/64 Angles ±1°</small>		SIGNATURES: BEN DATE: JULY-1-2014 CHECKED: ENGINEER: APPROVAL:	Amphenol Sine Systems - www.amphenol-sine.com 44724 Morley Drive Clinton Township, MI 48036
<small>MATERIAL SPECIFICATIONS:</small>		<small>CUSTOMER:</small>	
<small>PROCESS SPECIFICATIONS:</small>		<small>THIS DRAWING IS SUPPLIED FOR INFORMATION ONLY. DESIGN FEATURES, SPECIFICATIONS AND PERFORMANCE DATA SHOWN HEREON ARE THE PROPERTY OF THE AMPHENOL CORPORATION. NO RIGHTS OF REPRODUCTION ARE IMPLIED. ALL DIMENSIONS ARE SUBJECT TO NORMAL MANUFACTURING VARIATIONS.</small>	<small>SIZE TYPE DWG NO. REVISION</small> B C- MS14M23xx B1
<small>NEXT ASSY:</small>		<small>SCALE NONE</small>	<small>SHEET 1 OF 1</small>

TITLE: ECO-MATE SOCKET CONTACT MACHINE, 16-14AWG, SIZE 16
 DWG NO: MS14M23xx
 REV: B1
 SH: 1
 OF: 1