



PART  
NAME

12" FLANGE KIT

PART  
No.

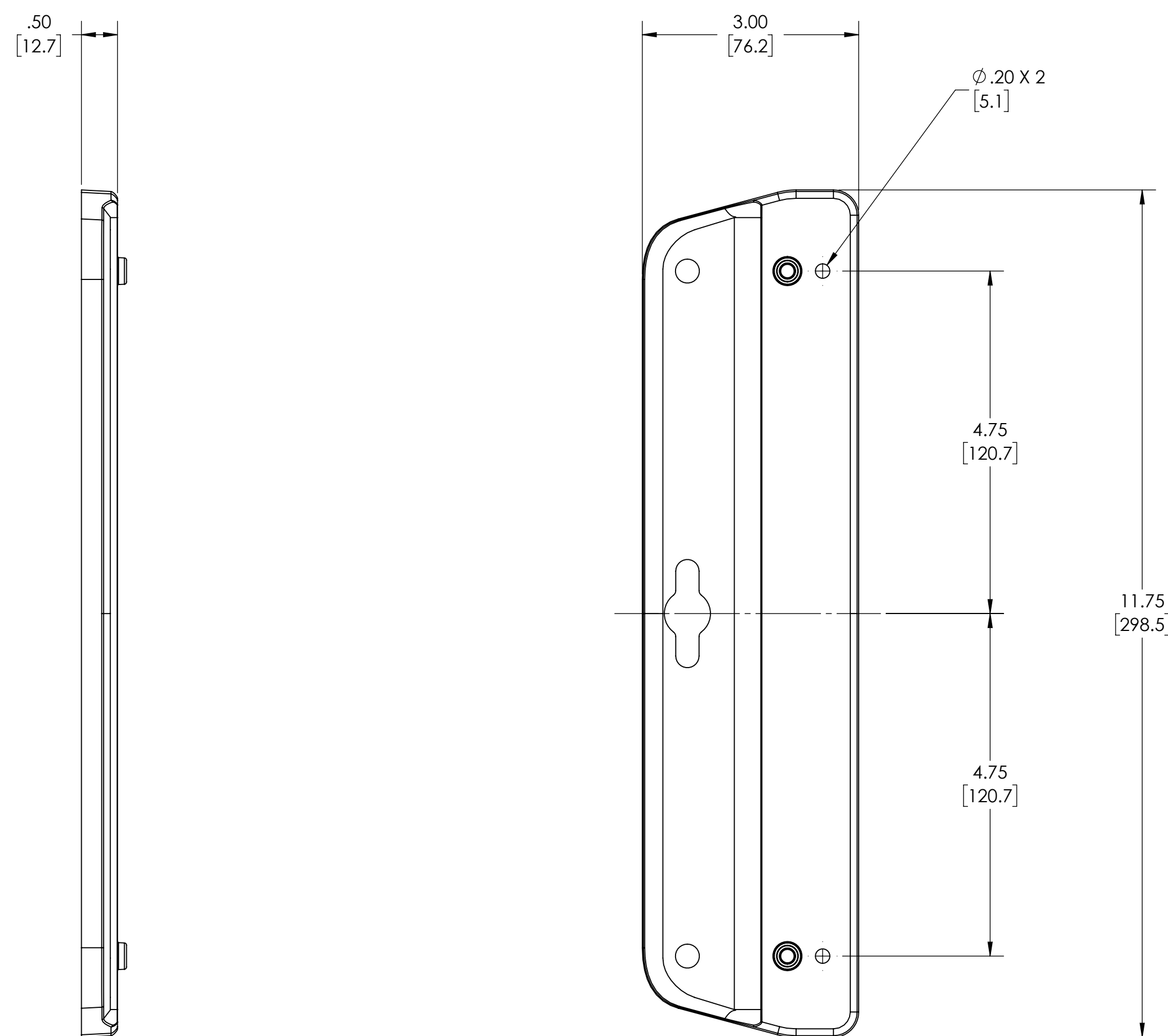
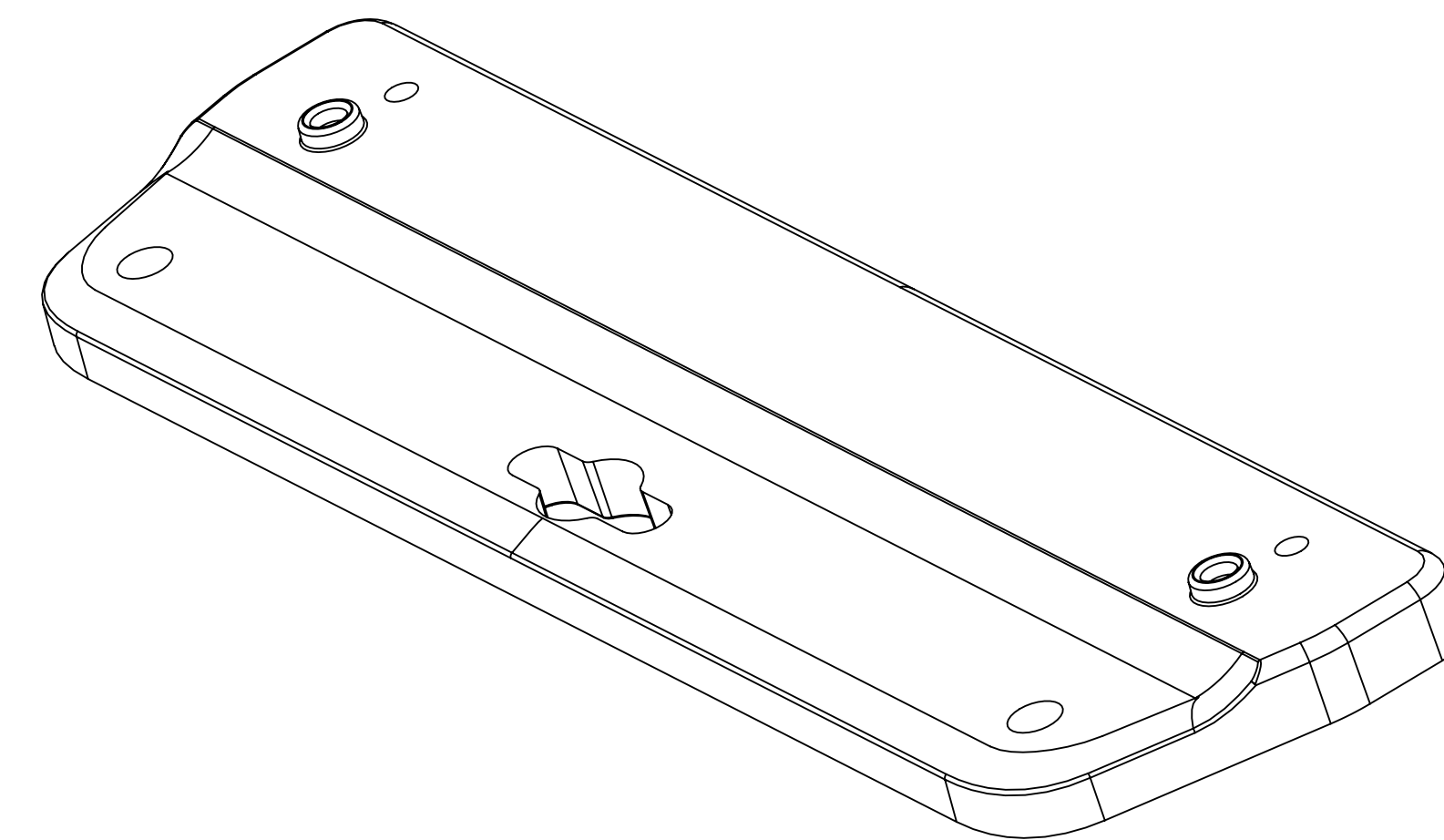
DPX-1224KIT

REVISION  
DATE

2/22/21

NOTES:

1. MATERIAL: POLYCARBONATE.
2. QTY PER KIT - 2
3. FITS: DPH-28713 & DPS-28713
4. SUPPLIED WITH DPX-103275X (X 4#10-32 X 3/4" LONG, PAN HEAD, EACH PHILLIPS, SS FOR DPH/S SERIES)



**DRAWING FOR REFERENCE**

WE RESERVE THE RIGHT TO MAKE CHANGES TO OUR STANDARD PRODUCTS. PLEASE CONSULT WITH BUD INDUSTRIES PRIOR TO USING THIS DRAWING FOR DESIGN PURPOSE.