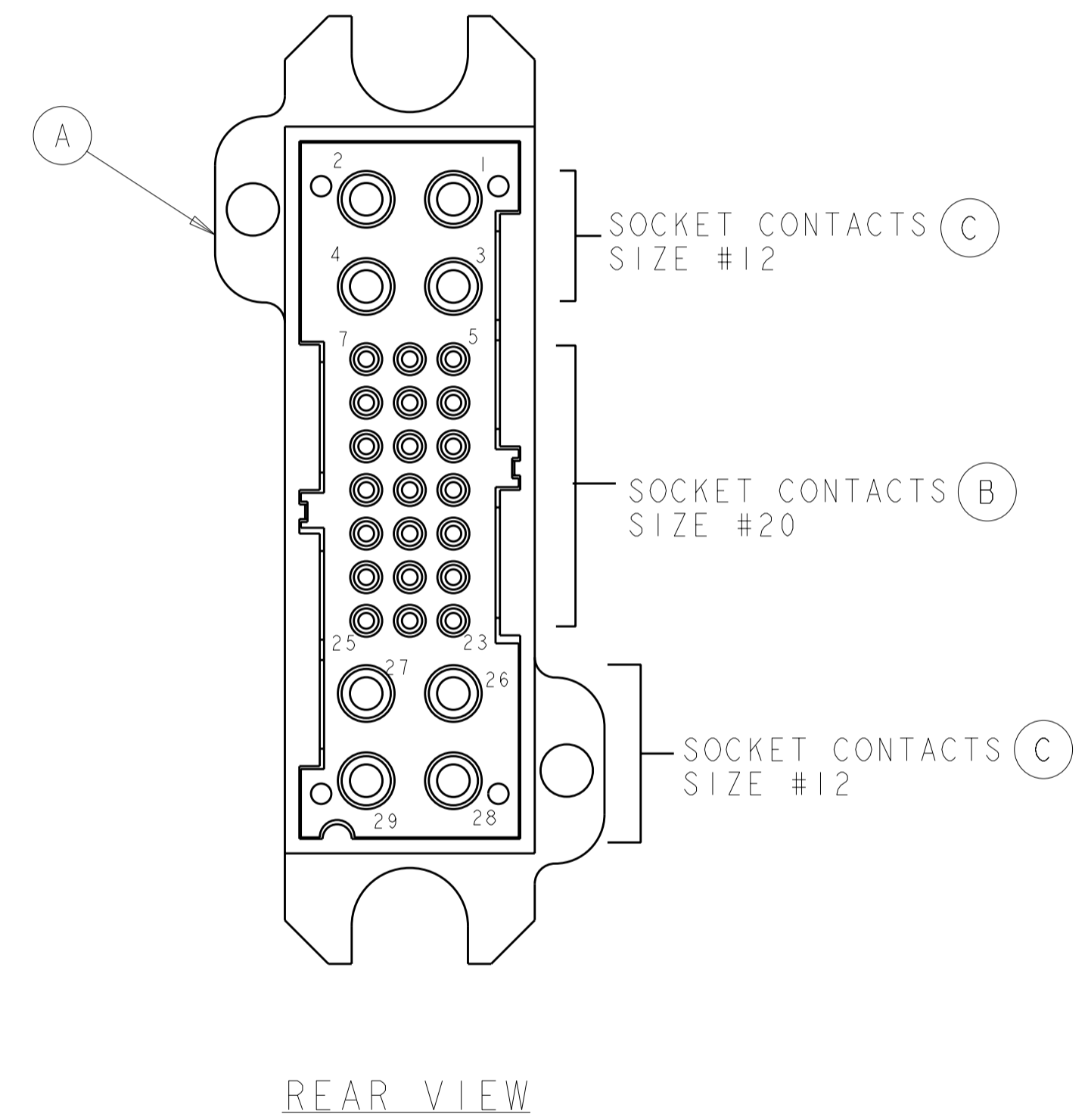
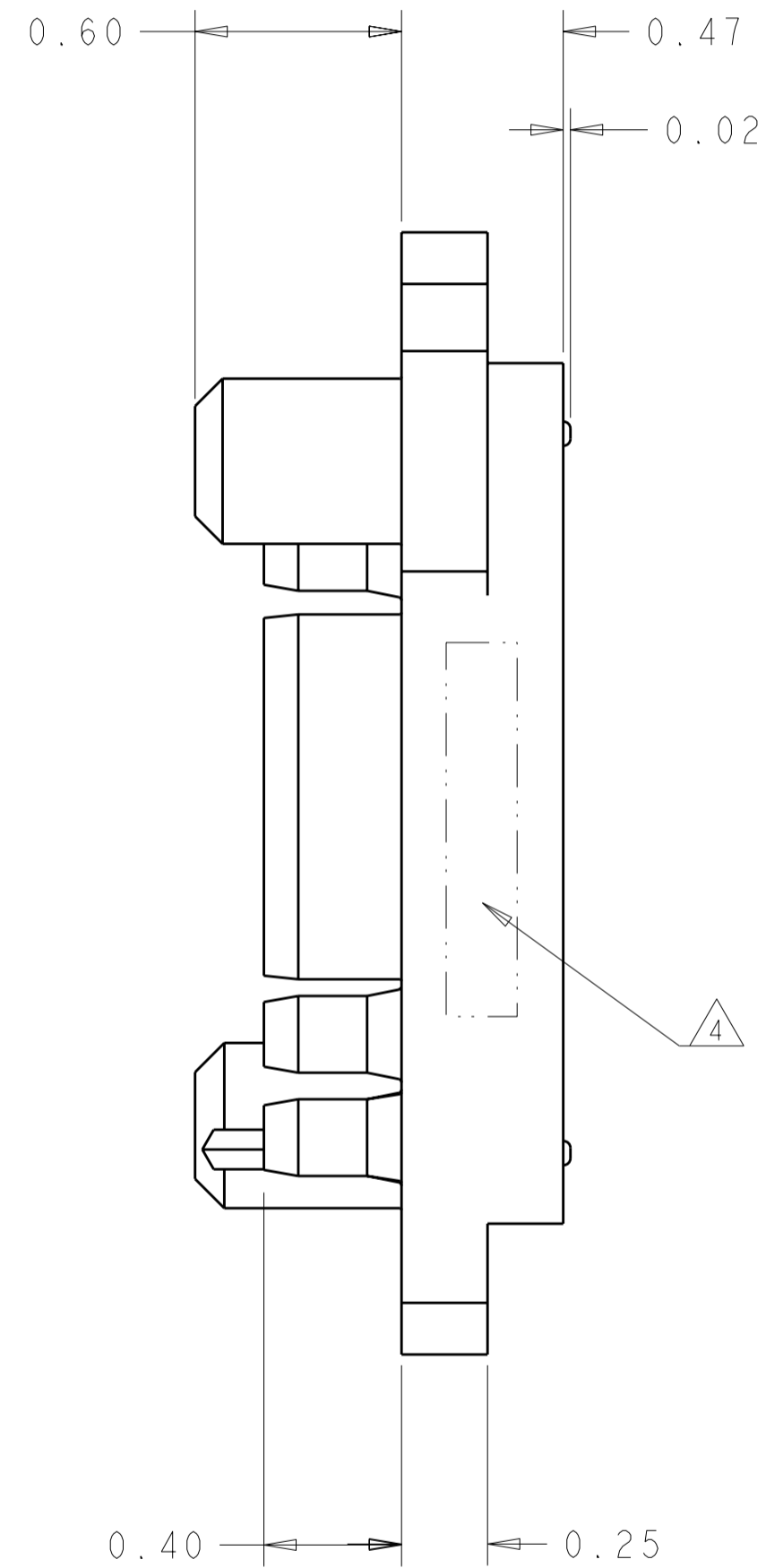
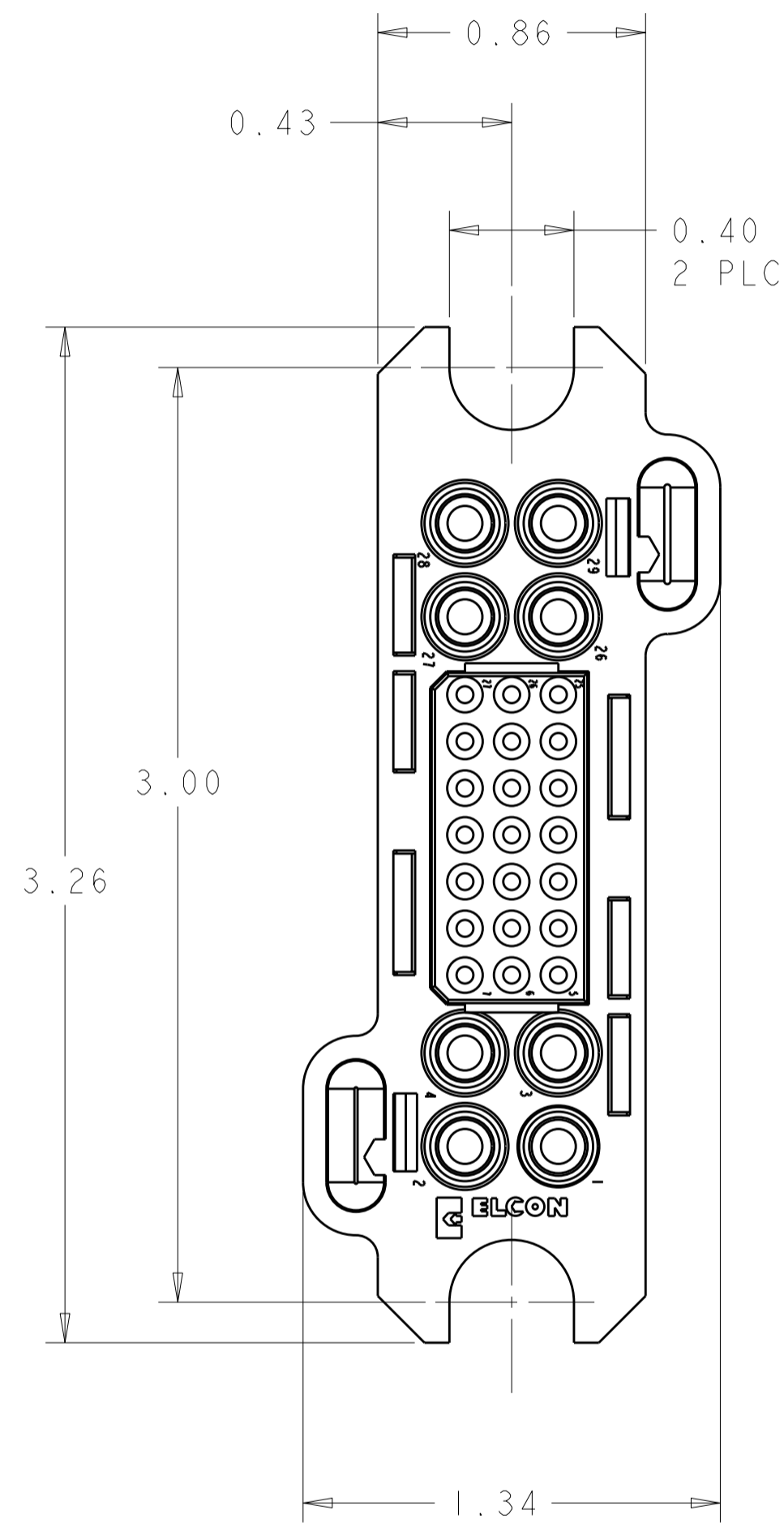


LOC		DIST		REVISIONS			
P	LTR	DESCRIPTION	DATE	DWN	APVD		
	A	RELEASED	08MAY2008	RG	DO		

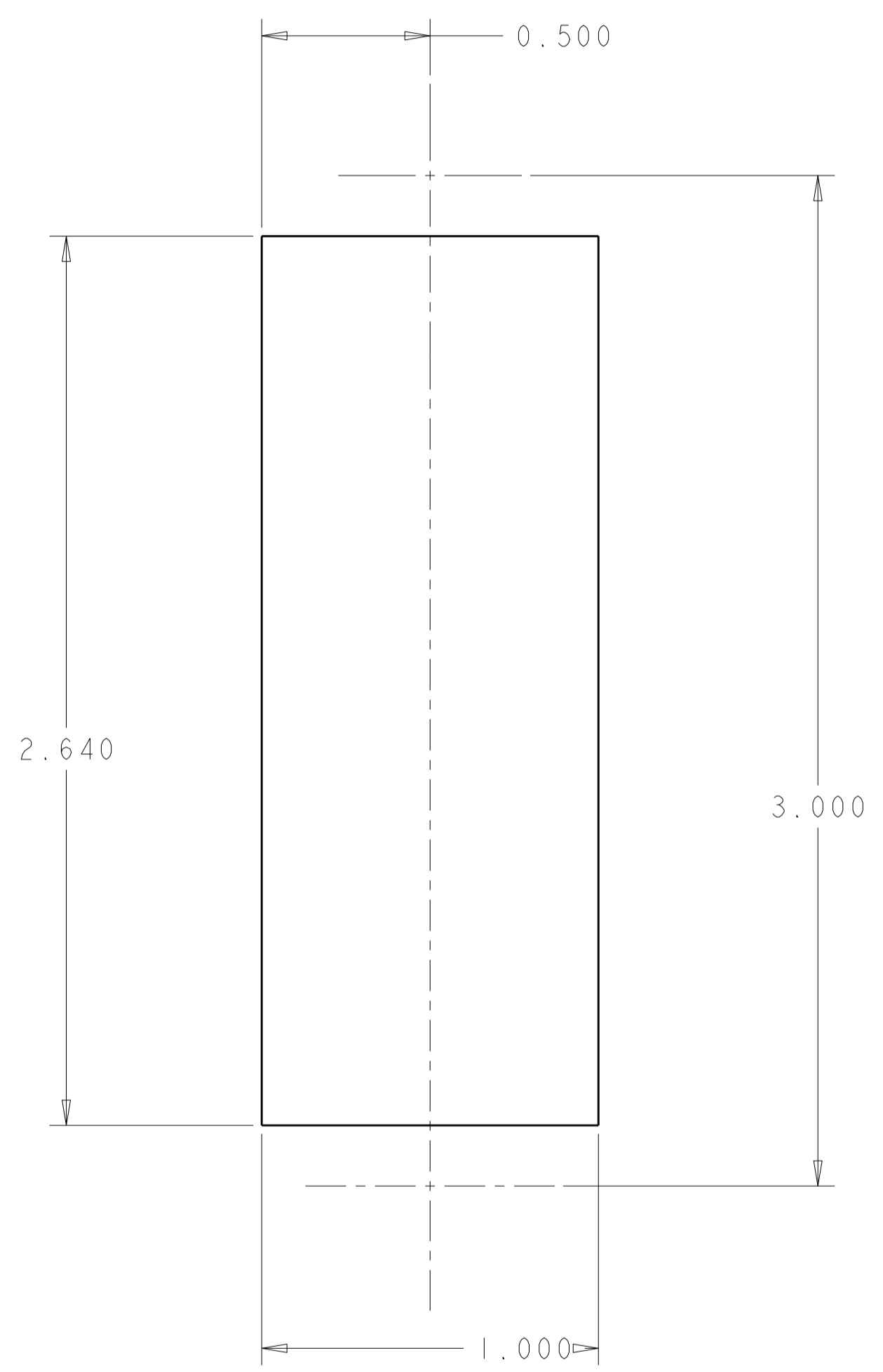


ELCON LOWER DRAWER

<small>THIS DRAWING IS A CONTROLLED DOCUMENT FOR TYCO ELECTRONICS CORPORATION. IT IS SUBJECT TO CHANGE AND THE CONTROLLING ENGINEERING ORGANIZATION SHOULD BE CONTACTED FOR THE LATEST REVISION.</small>		DWN R. GRZYBOWSKI IMAY08 CHK D. ORRIS IMAY08 APVD S. FLICKINGER IMAY08	Tyco Electronics Harrisburg, PA 17105-3608
DIMENSIONS: INCHES	TOLERANCES UNLESS OTHERWISE SPECIFIED: 0 PLC ± 1 PLC ± 2 PLC ±.02 3 PLC ±.010 4 PLC ± ANGLES ±.5 FINISH	PRODUCT SPEC APPLICATION SPEC WEIGHT	NAME CONNCTOR ASSEMBLY SOCKET LOWER DRAWER
MATERIAL		CUSTOMER DRAWING	SIZE A2 CAGE CODE 00779 DRAWING NO. C-1926838 RESTRICTED TO
AMP 1471-9 REV 31MAR2000		SCALE 3:1	SHEET 1 OF 2 REV A

THIS DRAWING IS UNPUBLISHED. RELEASED FOR PUBLICATION 20
 © COPYRIGHT 20 BY TYCO ELECTRONICS CORPORATION. ALL RIGHTS RESERVED.

LOC		DIST		REVISIONS			
P	LTR	DATE	DWN	APVD			



SUGGESTED PANEL CUTOUT
 VIEW FROM CONNECTOR MOUNTING SIDE

- PART NUMBER CHANGES AND OR DESIGN CHANGES AFFECTING THE INTERCHANGEABILITY REQUIRE PRIOR TYCO ELECTRONICS APPROVAL AND AUTHORIZATION BY REVISION TO THIS DRAWING.
- MATERIAL:
 INSULATOR: THERMOPLASTIC, GLASS REINFORCED, UL 94V-0
 FLAMMABILITY RATED, COLOR: BLACK
 CONTACT: COPPER ALLOY
 CROWN BAND: BERYLLIUM COPPER
 RETENTION CLIP: BERYLLIUM COPPER OR STAINLESS STEEL
 SHOULDER SCREWS: STAINLESS STEEL
- FINISH:
 CONTACTS SIZE #12 BODY : SILVER .000200 MIN THK.
 OVER NICKEL .00040 MIN THK.
 CONTACTS SIZE #20 BODY : GOLD .000010 MIN THK.
 OVER NICKEL .00040 MIN THK.
 CROWN BAND CONTACT: GOLD .000030 MIN THK.
 OVER NICKEL .00040 MIN THK.

△4 ITEMS PROVIDED TO THIS SPECIFICATION TO BE PERMANENTLY IDENTIFIED PER THE FOLLOWING IDENTIFIER:
 YEAR 11 WEEK
 TYCO ELECTRONICS P/N DATE CODE (e.g. 0216)
 XXXXXXXX-X XXXX

△5 CRIMP CONTACTS AND SHOULDER SCREWS (ITEMS B THRU D) SHALL BE PACKAGED SEPARATELY AND PLACED IN THE BOX WITH THE CONNECTOR ASSEMBLY.

△5	2	1650589-1	FLOAT MOUNT SHOULDER SCREW, M4 X 0.7 THD	D
△5	7	6648318-1	CONTACT, SOCKET, #12, CRIMP	C
△5	7	1648325-1	CONTACT, SOCKET, #20, CRIMP	B
	1	1648206-2	HOUSING, SOCKET, FLOAT MOUNT	A
	-1	PART NUMBER	DESCRIPTION	ITEM

ELCON LOWER DRAWER

<small>THIS DRAWING IS A CONTROLLED DOCUMENT FOR TYCO ELECTRONICS CORPORATION IT IS SUBJECT TO CHANGE AND THE CONTROLLING ENGINEERING ORGANIZATION SHOULD BE CONTACTED FOR THE LATEST REVISION.</small>		DWN R. GRZYBOWSKI IMAY08 CHK D. ORRIS IMAY08 APVD S. FLICKINGER IMAY08	Tyco Electronics Harrisburg, PA 17105-3608
DIMENSIONS: INCHES 	TOLERANCES UNLESS OTHERWISE SPECIFIED: 0 PLC ± 1 PLC ±.02 2 PLC ±.02 3 PLC ±.010 4 PLC ± ANGLES ±.5 FINISH	PRODUCT SPEC APPLICATION SPEC WEIGHT	NAME CONNECTOR ASSEMBLY SOCKET LOWER DRAWER SIZE CAGE CODE DRAWING NO RESTRICTED TO A200779G-1926838
MATERIAL		CUSTOMER DRAWING	SCALE 3:1 SHEET 2 OF 2 REV A