



| QTY<br>CKTS | DIM "A" |       | DIM "B" |        | DIM "C" |      | DIM "D" |       | MATERIAL # | MATERIAL # | MATERIAL # | MATERIAL # |
|-------------|---------|-------|---------|--------|---------|------|---------|-------|------------|------------|------------|------------|
|             | MM      | INCH  | MM      | INCH   | MM      | INCH | MM      | INCH  | STD OPT.   | -49 OPT.   | -50 OPT.   | -56 OPT.   |
| 2           | 40.3    | 1.59  | 28.58   | 1.125  | 21.1    | 0.83 | 9.53    | 0.375 | 387204702  | 387205002  | 387205302  | 387290792  |
| 3           | 49.8    | 1.96  | 38.10   | 1.500  | 30.6    | 1.21 | 19.05   | 0.750 | 387204703  | 387205003  | 387205303  | --         |
| 4           | 59.3    | 2.34  | 47.63   | 1.875  | 40.2    | 1.58 | 28.58   | 1.125 | 387204704  | 387205004  | 387205304  | --         |
| 5           | 68.8    | 2.71  | 57.15   | 2.250  | 49.7    | 1.96 | 38.10   | 1.500 | 387204705  | 387205005  | 387205305  | 387290295  |
| 6           | 78.4    | 3.09  | 66.66   | 2.625  | 59.2    | 2.33 | 47.63   | 1.875 | 387204706  | 387205006  | 387205306  | 387290984  |
| 7           | 87.9    | 3.46  | 76.20   | 3.000  | 68.8    | 2.71 | 57.15   | 2.250 | 387204707  | 387205007  | 387205307  | --         |
| 8           | 97.4    | 3.84  | 85.73   | 3.375  | 78.3    | 3.08 | 66.66   | 2.625 | 387204708  | 387205008  | 387205308  | 387290490  |
| 9           | 106.9   | 4.21  | 95.25   | 3.750  | 87.8    | 3.46 | 76.20   | 3.000 | 387204709  | 387205009  | 387205309  | --         |
| 10          | 116.5   | 4.59  | 104.78  | 4.125  | 97.3    | 3.83 | 85.73   | 3.375 | 387204710  | 387205010  | 387205310  | --         |
| 11          | 126.0   | 4.96  | 114.30  | 4.500  | 106.9   | 4.21 | 95.25   | 3.750 | 387204711  | 387205011  | 387205311  | 387290876  |
| 12          | 135.5   | 5.34  | 123.83  | 4.875  | 116.4   | 4.58 | 104.78  | 4.125 | 387204712  | 387205012  | 387205312  | 387291384  |
| 13          | 145.0   | 5.71  | 133.35  | 5.250  | 125.9   | 4.96 | 114.30  | 4.500 | 387204713  | 387205013  | 387205313  | --         |
| 14          | 154.6   | 6.09  | 142.88  | 5.625  | 135.5   | 5.33 | 123.83  | 4.875 | 387204714  | 387205014  | 387205314  | --         |
| 15          | 164.1   | 6.46  | 152.40  | 6.000  | 145.0   | 5.71 | 133.35  | 5.250 | 387204715  | 387205015  | 387205315  | --         |
| 16          | 173.6   | 6.84  | 161.93  | 6.375  | 154.5   | 6.08 | 142.88  | 5.625 | 387204716  | 387205016  | 387205316  | --         |
| 17          | 183.1   | 7.21  | 171.45  | 6.750  | 164.1   | 6.46 | 152.40  | 6.000 | 387204717  | 387205017  | 387205317  | --         |
| 18          | 192.7   | 7.59  | 180.98  | 7.125  | 173.6   | 6.83 | 161.93  | 6.375 | 387204718  | 387205018  | 387205318  | --         |
| 19          | 202.2   | 7.96  | 190.50  | 7.500  | 183.1   | 7.21 | 171.45  | 6.750 | 387204719  | 387205019  | 387205319  | --         |
| 20          | 211.7   | 8.34  | 200.03  | 7.875  | 192.6   | 7.58 | 180.98  | 7.125 | 387204720  | 387205020  | 387205320  | --         |
| 21          | 221.2   | 8.71  | 209.55  | 8.250  | 202.2   | 7.96 | 190.50  | 7.500 | 387204721  | 387205021  | 387205321  | --         |
| 22          | 230.8   | 9.09  | 219.08  | 8.625  | 211.7   | 8.33 | 200.03  | 7.875 | 387204722  | 387205022  | 387205322  | --         |
| 23          | 240.3   | 9.46  | 228.60  | 9.000  | 221.2   | 8.71 | 209.55  | 8.250 | 387204723  | 387205023  | 387205323  | --         |
| 24          | 249.8   | 9.84  | 238.13  | 9.375  | 230.8   | 9.08 | 219.08  | 8.625 | 387204724  | 387205024  | 387205324  | --         |
| 25          | 259.3   | 10.21 | 247.65  | 9.750  | 240.3   | 9.46 | 228.60  | 9.000 | 387204725  | 387205025  | 387205325  | --         |
| 26          | 268.9   | 10.59 | 257.18  | 10.125 | 249.8   | 9.83 | 238.13  | 9.375 | 387204726  | 387205026  | 387205326  | --         |

SEE SHEET ONE  
 EC NO: WNA2011-0086  
 DRAWN: JENC INAS 2011/03/03  
 CHKD: JMACNEIL  
 APPR: JMACNEIL 2011/05/06

QUALITY SYMBOLS  
 = 0  
 = 0

GENERAL TOLERANCES (UNLESS SPECIFIED)

|          | mm     | INCH    |
|----------|--------|---------|
| 4 PLACES | ± .005 | ± .0005 |
| 3 PLACES | ± .005 | ± .0005 |
| 2 PLACES | ± 0.13 | ± .01   |
| 1 PLACE  | ± 0.3  | ± .005  |

ANGULAR ± 2 °

DRAFT WHERE APPLICABLE  
 MUST REMAIN  
 WITHIN DIMENSIONS

DIMENSION STYLE  
**MM/IN**

DRAWN BY DATE  
 JENC INAS 2008/04/18

CHECKED BY DATE  
 CYORK 2008/04/21

APPROVED BY DATE  
 JMACNEIL 2008/04/24

MATERIAL NO.

SCALE  
**2:1**

DESIGN UNITS  
**INCH**

THIRD ANGLE PROJECTION

TITLE  
**9.53/.375 SR BTS  
 INS. PC W/MTG ENDS**

**MOLEX INCORPORATED**

DOCUMENT NO. **SD-38720-011**

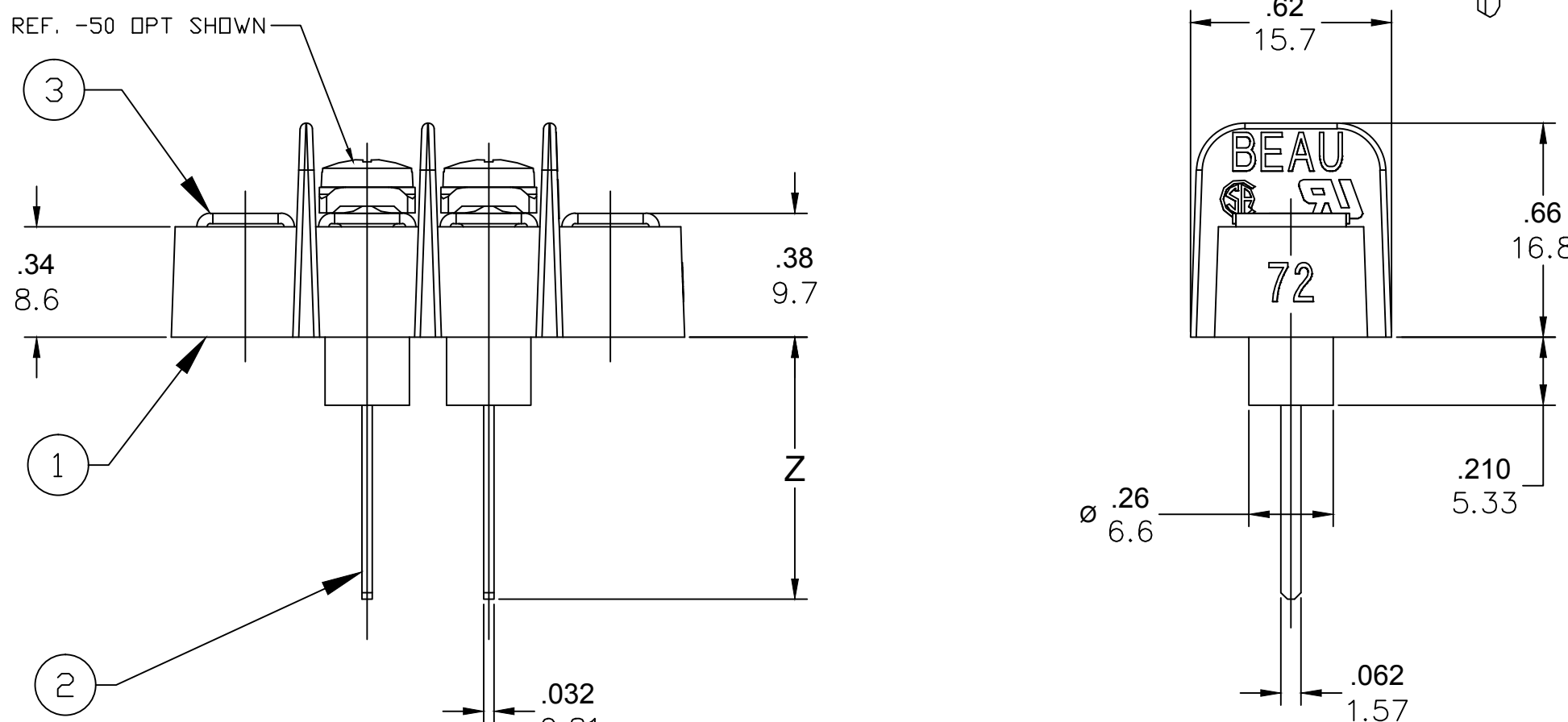
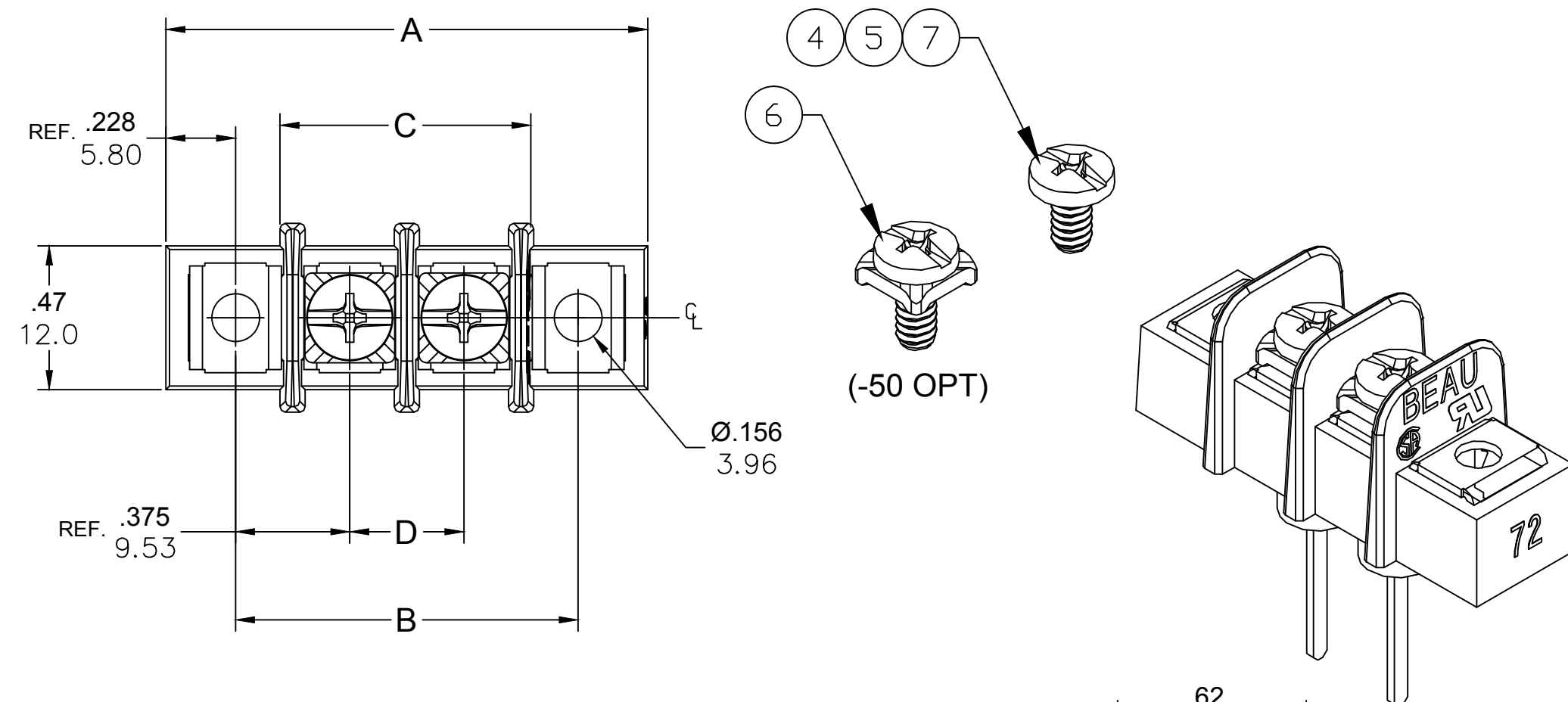
SHEET NO.  
**2 OF 2**

THIS DRAWING CONTAINS INFORMATION THAT IS PROPRIETARY TO MOLEX INCORPORATED AND SHOULD NOT BE USED WITHOUT WRITTEN PERMISSION

| PART NUMBER DATA |       |       |        |        |      |       |       |        |
|------------------|-------|-------|--------|--------|------|-------|-------|--------|
| CIRCUITS         | A IN  | mm    | B IN   | mm     | C IN | mm    | D IN  | mm     |
| 2                | 1.58  | 40.2  | 1.125  | 28.58  | .83  | 21.1  | .375  | 9.52   |
| 3                | 1.96  | 49.7  | 1.500  | 38.10  | 1.21 | 30.7  | .750  | 19.05  |
| 4                | 2.33  | 59.2  | 1.875  | 47.63  | 1.58 | 40.2  | 1.125 | 28.58  |
| 5                | 2.71  | 68.7  | 2.250  | 57.15  | 1.96 | 49.7  | 1.500 | 38.10  |
| 6                | 3.08  | 78.3  | 2.625  | 66.68  | 2.33 | 59.2  | 1.875 | 47.63  |
| 7                | 3.46  | 87.8  | 3.000  | 76.20  | 2.71 | 68.8  | 2.250 | 57.15  |
| 8                | 3.83  | 97.3  | 3.375  | 85.73  | 3.08 | 78.3  | 2.625 | 66.68  |
| 9                | 4.21  | 106.8 | 3.750  | 95.25  | 3.46 | 87.8  | 3.000 | 76.20  |
| 10               | 4.58  | 116.4 | 4.125  | 104.78 | 3.83 | 97.3  | 3.375 | 85.73  |
| 11               | 4.96  | 125.9 | 4.500  | 114.30 | 4.21 | 106.9 | 3.750 | 95.25  |
| 12               | 5.33  | 135.4 | 4.875  | 123.83 | 4.58 | 116.4 | 4.125 | 104.78 |
| 13               | 5.71  | 144.9 | 5.250  | 133.35 | 4.96 | 125.9 | 4.500 | 114.30 |
| 14               | 6.08  | 154.5 | 5.625  | 142.88 | 5.33 | 135.4 | 4.875 | 123.83 |
| 15               | 6.46  | 164.0 | 6.000  | 152.40 | 5.71 | 145.0 | 5.250 | 133.35 |
| 16               | 6.83  | 173.5 | 6.375  | 161.93 | 6.08 | 154.5 | 5.625 | 142.88 |
| 17               | 7.21  | 183.0 | 6.750  | 171.45 | 6.46 | 164.0 | 6.000 | 152.40 |
| 18               | 7.58  | 192.6 | 7.125  | 180.98 | 6.83 | 173.5 | 6.375 | 161.93 |
| 19               | 7.96  | 202.1 | 7.500  | 190.50 | 7.21 | 183.1 | 6.750 | 171.45 |
| 20               | 8.33  | 211.6 | 7.875  | 200.03 | 7.58 | 192.6 | 7.125 | 180.98 |
| 21               | 8.71  | 221.1 | 8.250  | 209.55 | 7.96 | 202.1 | 7.500 | 190.50 |
| 22               | 9.08  | 230.7 | 8.625  | 219.08 | 8.33 | 211.6 | 7.875 | 200.03 |
| 23               | 9.46  | 240.2 | 9.000  | 228.60 | 8.71 | 221.2 | 8.250 | 209.55 |
| 24               | 9.83  | 249.7 | 9.375  | 238.13 | 9.08 | 230.7 | 8.625 | 219.08 |
| 25               | 10.21 | 259.2 | 9.750  | 247.65 | 9.46 | 240.2 | 9.000 | 228.60 |
| 26               | 10.58 | 268.8 | 10.125 | 257.18 | 9.83 | 249.7 | 9.375 | 238.13 |

- NOTES:
- MATERIAL: SEE TABLE
  - FINISH: SEE TABLE
  - ELECTRICAL SPECS:  
MAX VOLTAGE: 300V  
MAX CURRENT: 15A (6-32 BINDING HD SCREW STD, -49 & -56 OPT)  
MAX CURRENT: 25A (6-32 WIRE CLAMP SCREW -50 OPT)
  - WIRE RANGE: 22 TO 14 AWG FOR STD, -49 & -56 OPT  
WIRE RANGE: 22 TO 12 AWG FOR STD, -50 OPT
  - SCREW TIGHTENING TORQUE: 12 IN LBS.
  - WIRE STRIP: 5/16 (8mm)
  - OPERATING TEMP: 110°F
  - PRODUCT SPEC: PS-38710-001
  - PART IS RoHS COMPLIANT
  - XX EQUALS NUMBER OF CIRCUITS

|      |     |                              |           |               |
|------|-----|------------------------------|-----------|---------------|
| 7    | XX  | SCREW (-56 OPT)              | ST. STEEL | PASSIVATED    |
| 6    | XX  | SCREW/CLAMP WASHER (-50 OPT) | STEEL     | ZINC PLATED   |
| 5    | XX  | SCREW (-49 OPT)              | BRASS     | NICKEL PLATED |
| 4    | XX  | SCREW (STD OPT)              | STEEL     | ZINC PLATED   |
| 3    | 2   | MOUNTING PLATE               | BRASS     | NICKEL PLATED |
| 2    | XX  | TERMINAL, WIRE WRAP          | BRASS     | TIN PLATED    |
| 1    | 1   | BARRIER STRIP, INSULATED     | PBT       | BLACK         |
| ITEM | QTY | DESCRIPTION                  | MATERIAL  | FINISH        |



ENGINEERING NUMBER LEGEND

72 3 XX-Y-Z

SERIES — 72  
 TERMINAL STYLE — 3  
 NO. OF CIRCUITS — XX  
 Y — BLANK: .47 STD TAIL LENGTH  
 Z — .55: .54 TAIL LENGTH  
 —.75: .75 TAIL LENGTH  
 —.81: .81 TAIL LENGTH

SCREW TYPE —  
 BLANK: STD STEEL  
 -49: BRASS NI PLATE  
 -50: SCREW W/CLAMP WASHER  
 -56: ST. STEEL SCREW

|   |                            |  |                 |   |                                  |                        |
|---|----------------------------|--|-----------------|---|----------------------------------|------------------------|
| RELEASED<br>EC NO: ICG2016-0185<br>DRWN: RSTONE 2015/08/03<br>CHKD: B ARDEN<br>APPR: BRUPERT 2015/08/12 | QUALITY SYMBOL             | GENERAL TOLERANCES (UNLESS SPECIFIED)  | DIMENSION STYLE | SCALE   | DESIGN UNITS                     | THIRD ANGLE PROJECTION |
|   | $\nabla=0$<br>$\nabla C=0$ | mm INCH<br>4 PLACES ±--- ±---<br>3 PLACES ±--- ±.005<br>2 PLACES ±0.13 ±.01<br>1 PLACE ±0.3 ±--- | IN/MM           | ---   | INCH                             |                        |
|   |                            | ANGULAR ±1°  | DRAWN BY        | DATE  | TITLE                            |                        |
|   |                            | DRAFT WHERE APPLICABLE MUST REMAIN WITHIN DIMENSIONS   | RSTONE          | 2015/08/03  | BARRIER TERMINAL STRIP WIRE WRAP |                        |
|   |                            |  | CHECKED BY      | DATE  |                                  |                        |
|   |                            |  | B ARDEN         | ---   |                                  |                        |
|   |                            |  | APPROVED BY     | DATE  |                                  |                        |
|   |                            |  | BRUPERT         | 2015/08/12  |                                  |                        |
|   |                            |  | MATERIAL NO.    | ---   |                                  |                        |
|   |                            |  | SIZE            | THIS DRAWING CONTAINS INFORMATION THAT IS PROPRIETARY TO MOLEX INCORPORATED AND SHOULD NOT BE USED WITHOUT WRITTEN PERMISSION |                                  |                        |
|   |                            |  | C               |   |                                  |                        |
|   |                            |  |                 | MOLEX   | DOCUMENT NO.                     | SHEET NO.              |
|   |                            |  |                 |   | SD-38729-078                     | 1 OF 1                 |