

1. 製品名称／PRODUCT NAME : SPOT-ON 1.5 SINGLE REC HOUSING

製品番号／PART NUMBER : 2016472**☆

(**は極数を示し、☆は色を示す。図面参照。)

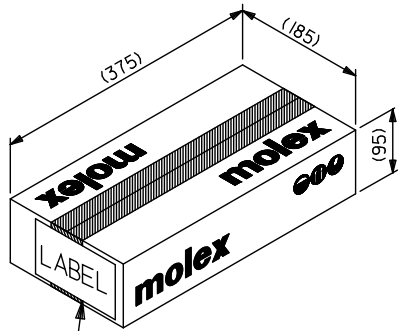
(** SHOWS CIRCUITS SIZE.☆ SHOWS COLOR. REFER TO DRAWING.)

2. 標準梱包数／STANDARD PACKAGING QUANTITY

極 数 CKT. SIZE	ポリ袋 POLY BAG	内装カートン PRIMARY CARTON		外装カートン SHIPPING CARTON
	1袋中の製品数 QUANTITY IN ONE BAG	ポリ袋の数 NUMBER OF POLY BAG	製品数 QUANTITY	製品数(内装カートン×4) QUANTITY (PRIMARY CARTON X4)
2	500	9	4,500	18,000
3	500	8	4,000	16,000
4	500	7	3,500	14,000
5	500	7	3,500	14,000
6	200	10	2,000	8,000
7	200	9	1,800	7,200
8	200	8	1,600	6,400
9	200	8	1,600	6,400
10	200	7	1,400	5,600
11	200	7	1,400	5,600
12	200	7	1,400	5,600
13	200	7	1,400	5,600
14	200	6	1,200	4,800
15	200	6	1,200	4,800
16	200	6	1,200	4,800

REV.	B						
SHEET	1~2						
REVISE ON PC ONLY			TITLE:				
B	REVISED 600118 2018/04/05 Y.TOKUZONO		201647 梱包仕様書 SALES PACKAGING SPEC. FOR 201647				
	REV. DESCRIPTION		THIS DOCUMENT CONTAINS INFORMATION THAT IS PROPRIETARY TO MOLEX ELECTRONIC TECHNOLOGIES, LLC AND SHOULD NOT BE USED WITHOUT WRITTEN PERMISSION				
DESIGN CONTROL	J	STATUS	WRITTEN BY: YTOKUZONO	CHECKED BY: K.TAKAHASHI	APPROVED BY: M.SASAO	DATE: 2017/02/03	
DOCUMENT NUMBER 2016479200			DOC. TYPE PS	DOC. PART 200	CUSTOMER GENERAL		SHEET 1 OF 2

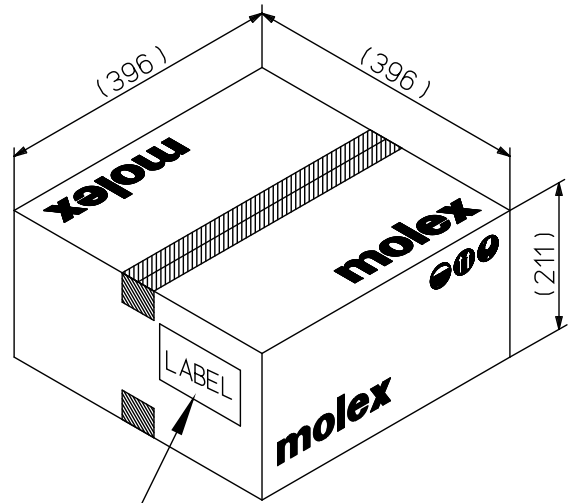
3. カートン外形参考寸法 / CARTON OUTER DIMENSIONS (REFERENCE PURPOSE ONLY) 単位 / UNIT: mm



カートンラベル
CARTON LABEL

(製品型番, 数量, ロットNO. 表示)
INDICATION OF PART No., QUANTITY, LOT No.

内装カートン
PRIMARY CARTON



カートンラベル
CARTON LABEL

(製品型番, 数量, ロットNO. 表示)
INDICATION OF PART No., QUANTITY, LOT No.

外装カートン
SHIPPING CARTON

REVISE ON PC ONLY		TITLE:			
B	SEE SHEET 1 OF 2	201647 梱包仕様書 SALES PACKAGING SPEC. FOR 201647			
	REV.	DESCRIPTION	THIS DOCUMENT CONTAINS INFORMATION THAT IS PROPRIETARY TO MOLEX ELECTRONIC TECHNOLOGIES, LLC AND SHOULD NOT BE USED WITHOUT WRITTEN PERMISSION		
DOCUMENT NUMBER 2016479200		DOC. TYPE PS	DOC. PART 200	CUSTOMER GENERAL	SHEET 2 OF 2