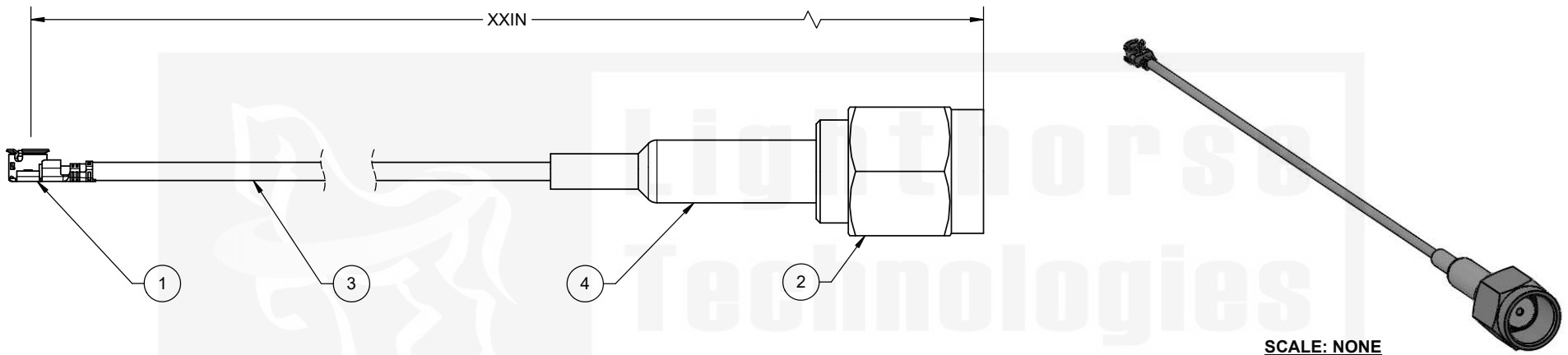


-XX IN THE ENDING OF THE CABLE PART NUMBER IS CALLING OUT THE LENGTH OF THE ASSEMBLY FROM CENTER TO MATING FLANGE OF CONNECTORS. EXAMPLES SHOWN BELOW:

LTI P/N: CB1.17LL-IPX-SARMGT-4IN (4 INCHES)  
 CB1.17LL-IPX-SARMGT-10IN (10 INCHES)

REVISIONS				
REV	ECR	DESCRIPTION	DRAWN	DATE
1		PRODUCTION RELEASE	M. LARSEN	08/08/2022



**SCALE: NONE**

ITEM	PART NUMBER	DESCRIPTION	QTY
1	IPXLF11GPB-113	IPX (MHF1), RHT ANGLE, JACK, CABLE CRIMP (I-PEX 20278-112R-13)	1
2	SASRM11GT-316	SMA, STRAIGHT, REV POL PLUG CABLE CRIMP	1
3	1.17LL MICRO COAX	CABLE, 1.17LL LOW LOSS MICRO COAX, GRAY	AR
4	1635F-1/8"	.125 (1/8) DIA, .75 LENGTH, GREEN	1

IPX® AND MHF® ARE REGISTERED TRADEMARKS OF I-PEX CO., LTD. CORPORATION

DO NOT SCALE DRAWING			Lighthouse Technologies	
TOLERANCES UNLESS OTHERWISE SPECIFIED			San Diego, CA WWW.IPCONNECTOR.COM	
DIMENSIONS ARE IN MILLIMETERS		 THIRD ANGLE PROJECTION	TITLE: CABLE ASSEMBLY, IPX (MHF1), R/A JACK, CRIMP TO RP-SMA, PLUG, CRIMP, USING 1.17LL (LOW LOSS) MICRO COAX, GRAY	
X = ±0.5 XX = ±0.25 XXX = ±0.13 ANGLE = ±30°			SIZE PART/DWG. NO: REV <b>B</b> CB1.17LL-IPX-SARMGT-xxIN <b>A</b>	
CUSTOMER APPROVAL		SCALE: 4:1 FILE NAME SHEET 1 OF 1		
SIGN / DATE:				
ENG APPR.	P. BURDGE 08/08/2022			
CHECKED	M. HELD 08/08/2022			
DRAWN	M. LARSEN 08/08/2022			
NAME	DATE			

PROPRIETARY AND CONFIDENTIAL

UNLESS OTHERWISE SPECIFIED: THIS DOCUMENT CONTAINS LIGHTHORSE TECHNOLOGIES INFORMATION. REPRODUCTION, USE, DISCLOSURE OR TRANSMITTAL OF ALL OR ANY PART OF THIS DOCUMENT IS PROHIBITED EXCEPT TO THE EXTENT APPROVED IN WRITING BY AN AUTHORIZED REPRESENTATIVE OF LIGHTHORSE TECHNOLOGIES. LIGHTHORSE TECHNOLOGIES RESERVES ALL RIGHTS UNDER PATENTS, TRADEMARKS, COPYRIGHTS AND TRADE SECRETS. COPY RIGHTS OF LIGHTHORSE TECHNOLOGIES 2011, ALL RIGHTS RESERVED.

