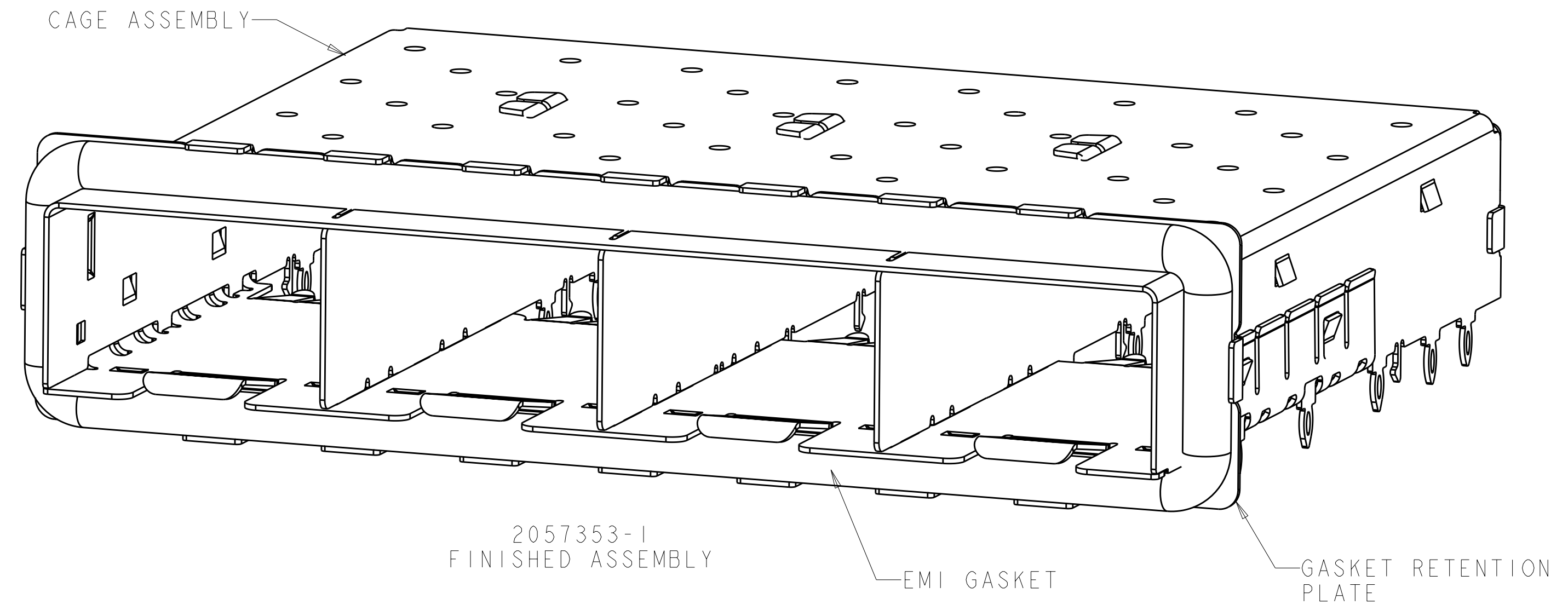
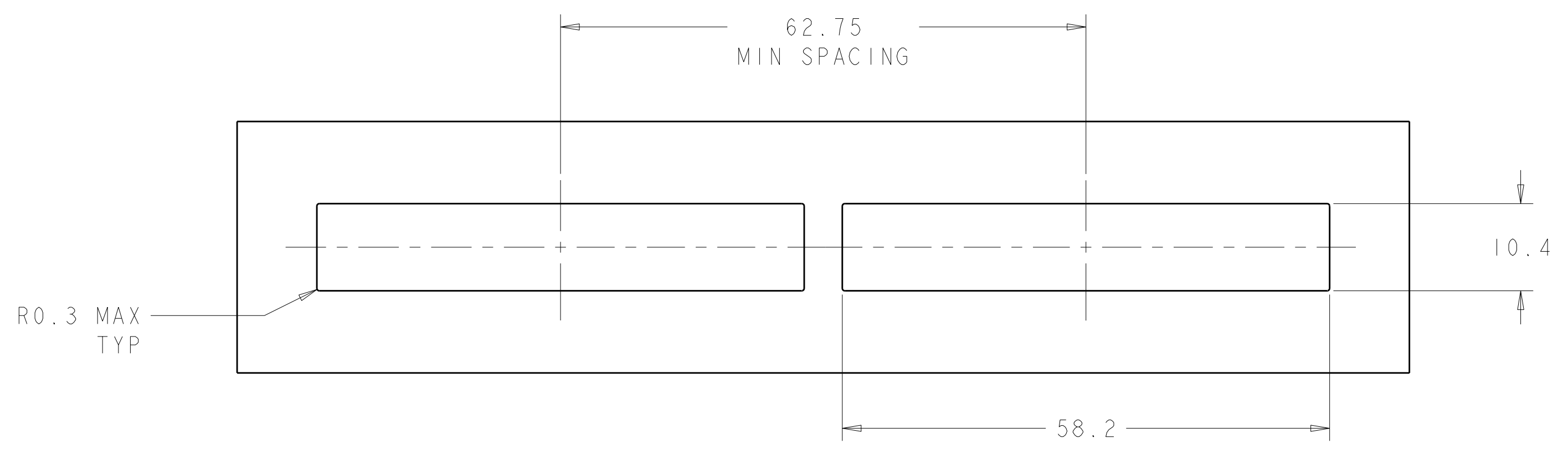
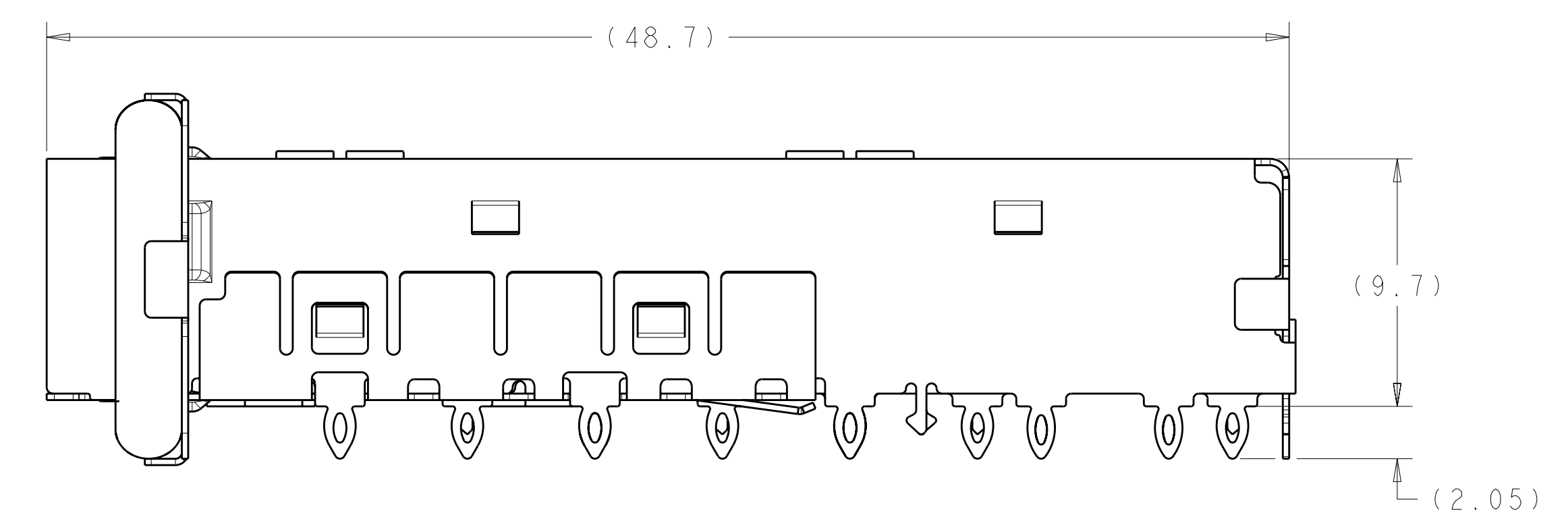
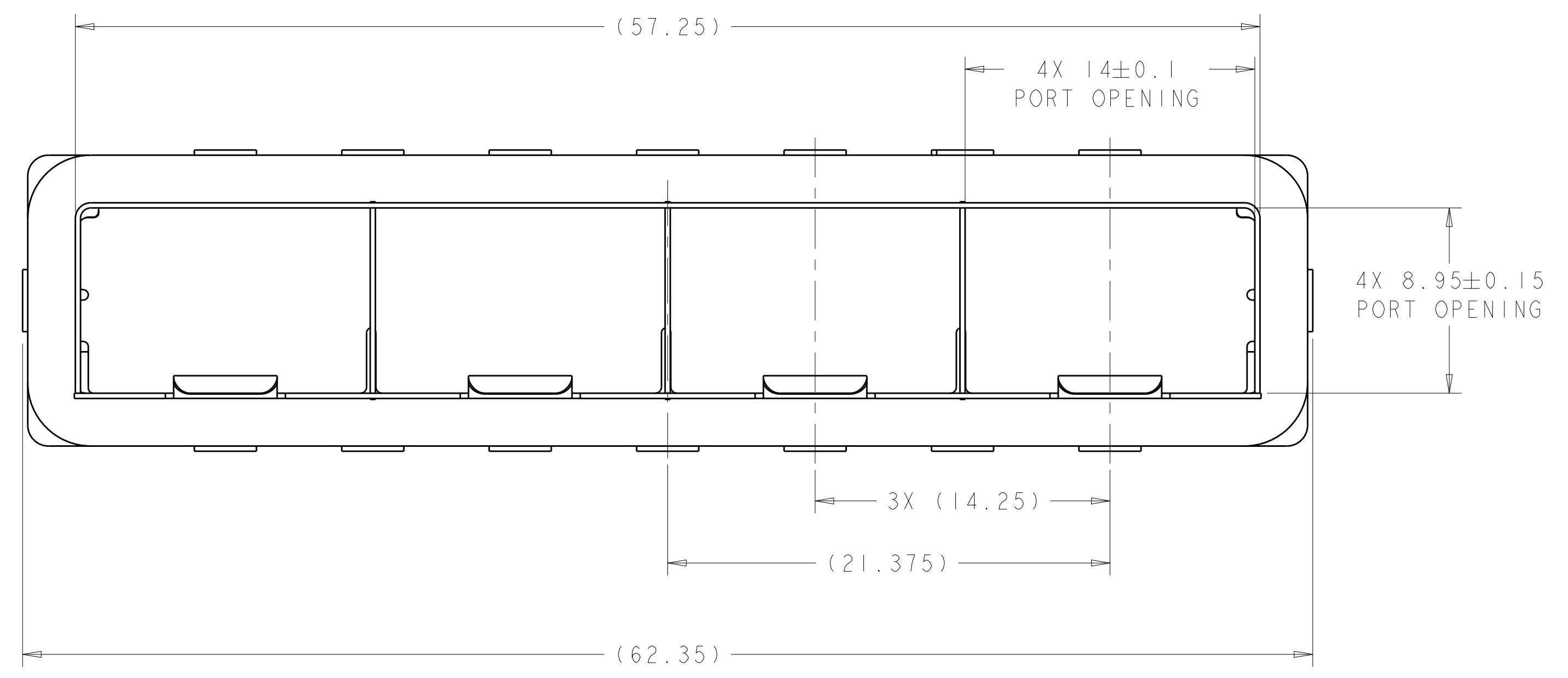


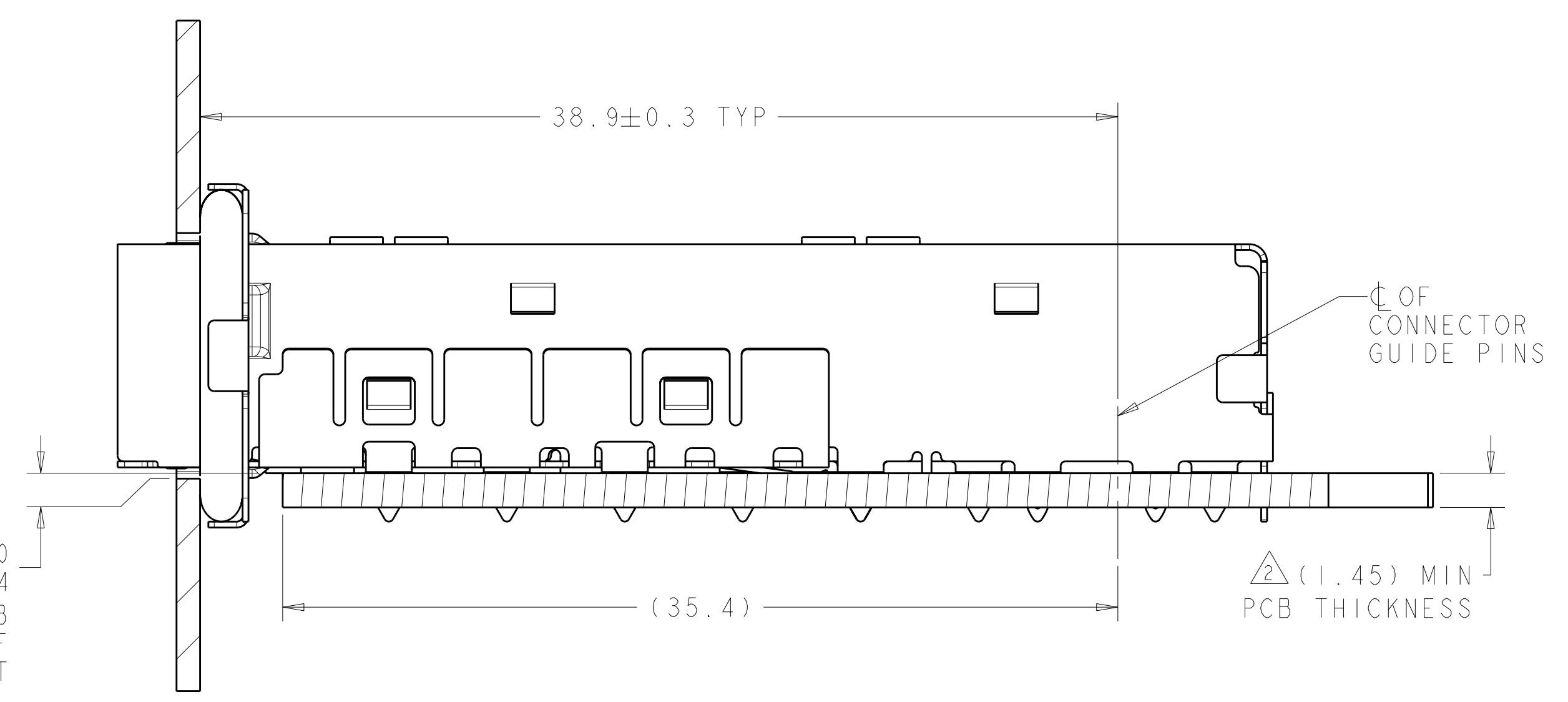
LOC		DIST		REVISIONS			
GP	00	P	LTR	DESCRIPTION	DATE	DWN	APVD
		A		RELEASE PER ECO-10-025263	15FEB2011	CJV	JTL



- 1 MATERIAL:
 CAGE ASSEMBLY: NICKEL SILVER ALLOY
 GASKET RETENTION PLATE: STAINLESS STEEL
 EMI GASKET: PLATED FILLED SILICONE
- 2 MINIMUM PC BOARD THICKNESS:
 SINGLE SIDED = 1.45mm
- 3 PADS AND VIAS CHASSIS GROUND.
- 4 DATUM AND BASIC DIMENSION ESTABLISHED BY CUSTOMER.
- 5. MATES WITH SFP MSA COMPLIANT TRANSCEIVERS.
- 6. INTERPRETATION OF DATUM REFERENCE FRAME IN ACCORDANCE WITH SECT 4.4.1.1 OF ASME Y14.5M-1994.
- 7 REFERENCE APPLICATION SPEC. 114-13120, HOLE A, FOR RECOMMENDED DRILL HOLE DIAMETER AND PLATING THICKNESS.
- 8 REFERENCE APPLICATION SPEC. 114-13120, HOLE B, FOR RECOMMENDED DRILL HOLE DIAMETER AND PLATING THICKNESS.
- 9 HOLE PATTERN REPEATS FOR EACH PORT. SPACING BETWEEN PORTS IS 14.25mm.



0.23^{+0.10}_{-0.14}
 TOP OF PCB
 TO INSIDE OF
 BEZEL CUT-OUT



RECOMMENDED BEZEL CUT-OUT
 SINGLE SIDED APPLICATIONS
 SCALE 2:1

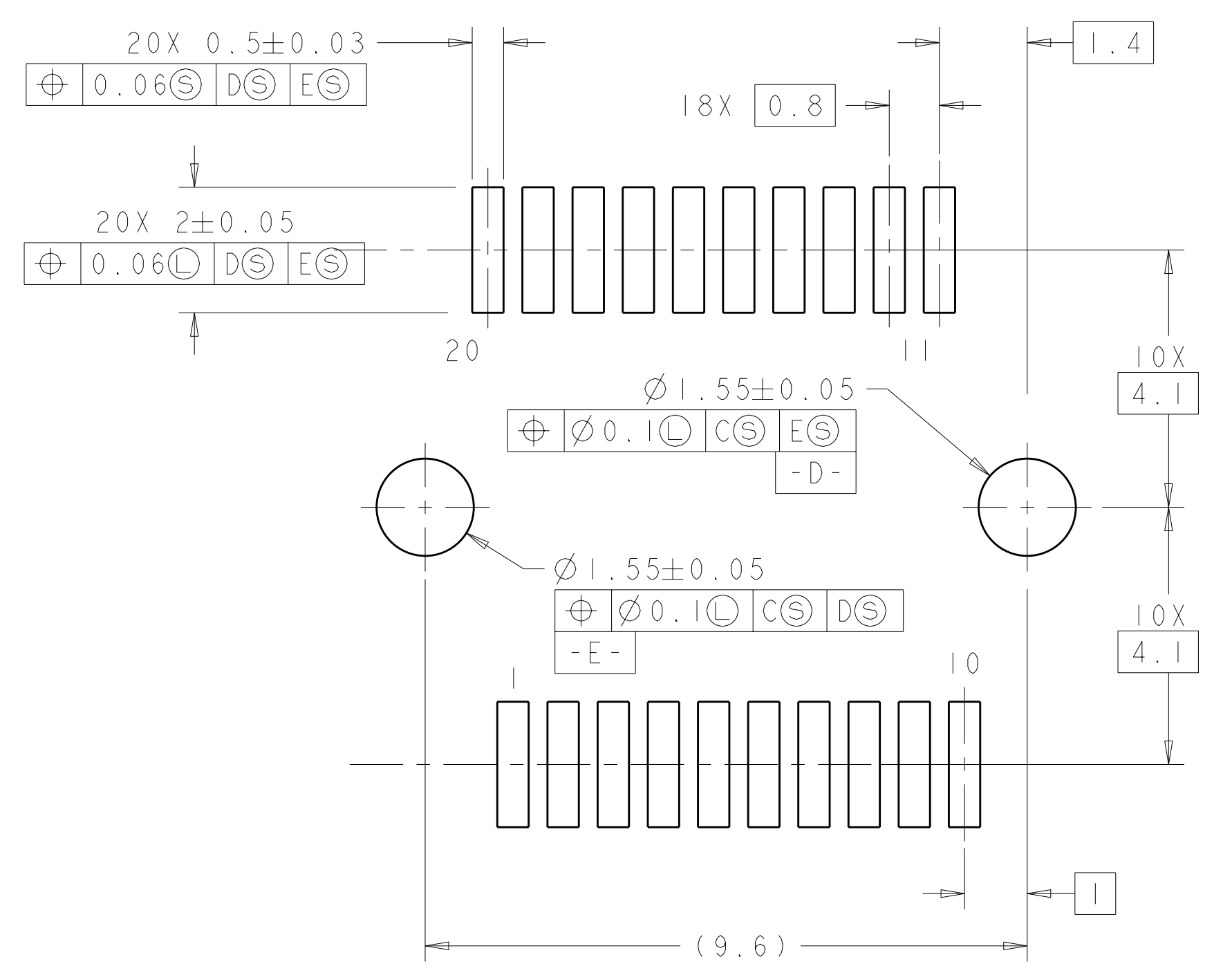
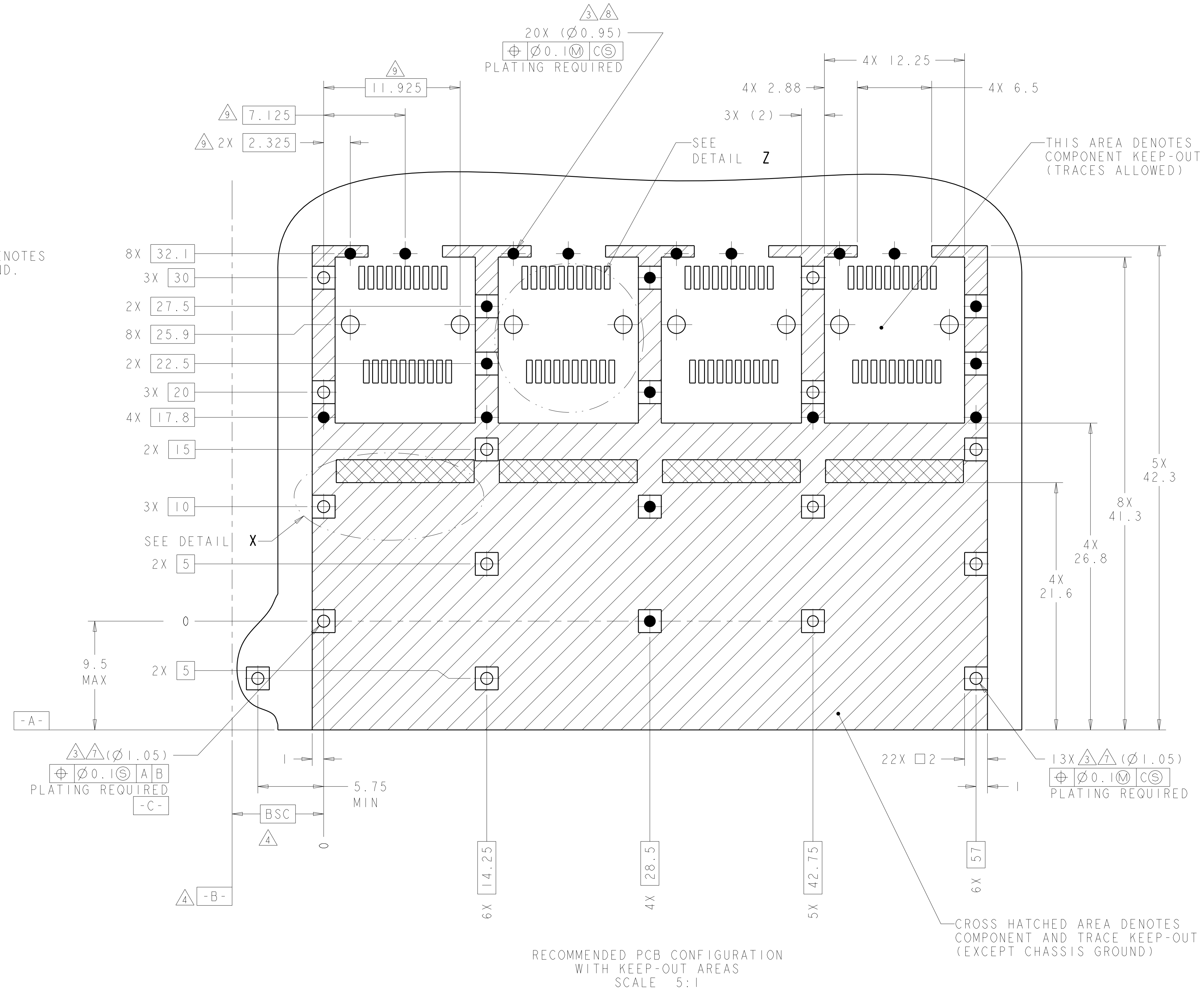
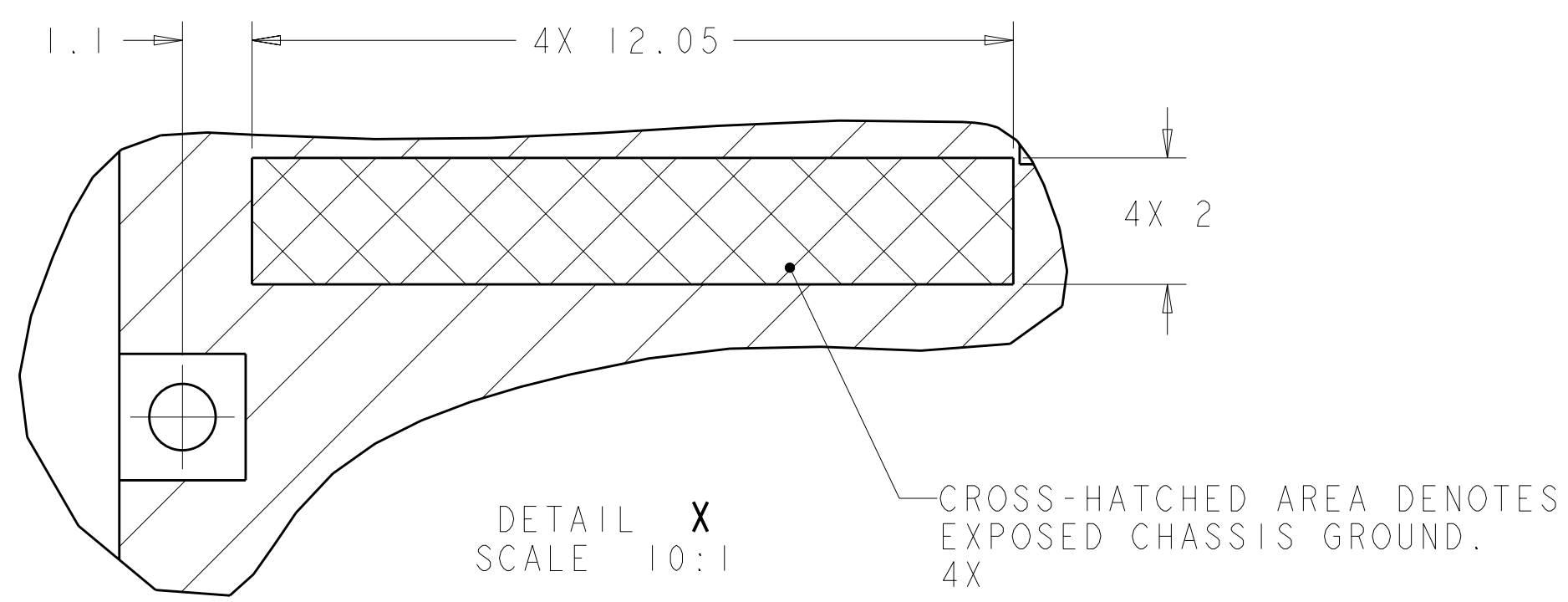
2057353-1
 MOUNTED ON PC BOARD
 SHOWN THRU RECOMMENDED BEZEL
 SECTION

2057353-1
 PART
 NUMBER

<small>THIS DRAWING IS UNPUBLISHED. RELEASED FOR PUBLICATION BY TYCO ELECTRONICS CORPORATION. ALL RIGHTS RESERVED.</small> <small>THIS IS SUBJECT TO CHANGE WITHOUT NOTICE AND WITHOUT OBLIGATION. TYCO ELECTRONICS CORPORATION SHALL BE CONTACTED FOR THE LATEST REVISION.</small>		DWN: MCMASTER 19AUG08 CHK: M. SCHMITT 19AUG08 APVD: M. SCHMITT 19AUG08	Tyco Electronics Harrisburg, PA 17105-3608
DIMENSIONS: mm 	TOLERANCES UNLESS OTHERWISE SPECIFIED: 9 PLC ±0.1 1 PLC ±0.1 2 PLC ±0.1 3 PLC ±0.1 4 PLC ±0.1 ANGLES ±0.1	NAME: SFP+ ENHANCED Ix4 CAGE ASSEMBLY, PRESS-FIT PRODUCT SPEC: 108-2364 APPLICATION SPEC: 114-13120 WEIGHT: - CUSTOMER DRAWING	SIZE: A CAGE CODE: 100779 DRAWING NO: 2057353 RESTRICTED TO: - SCALE: 5:1 SHEET 1 OF 2 REV A

LOC	DIST	REV	DATE	BY	APPD
GP	00				

REVISIONS		DATE	BY	APPD
1	SEE SHEET 1			



DIMENSIONS:		TOLERANCES UNLESS OTHERWISE SPECIFIED:		DWN: B. MCMASTER 19AUG08		Tyco Electronics Harrisburg, PA 17105-3608	
mm	9 PLC ±0.1	1 PLC ±0.1	5 PLC ±0.1	4 PLC ±0.1	APVD: M. SCHMITT 19AUG08	NAME: SFP+ ENHANCED 1X4 CAGE ASSEMBLY, PRESS-FIT	
	10 PLC ±0.1	108-2364	114-13120	114-13120	SIZE: CAGE CODE: DRAWING NO: A100779C=2057353		RESTRICTED TO:
MATERIAL:	FINISH: #1	WEIGHT:	CUSTOMER DRAWING	SCALE: 5:1	SHEET: 2 OF 2	REV: A	