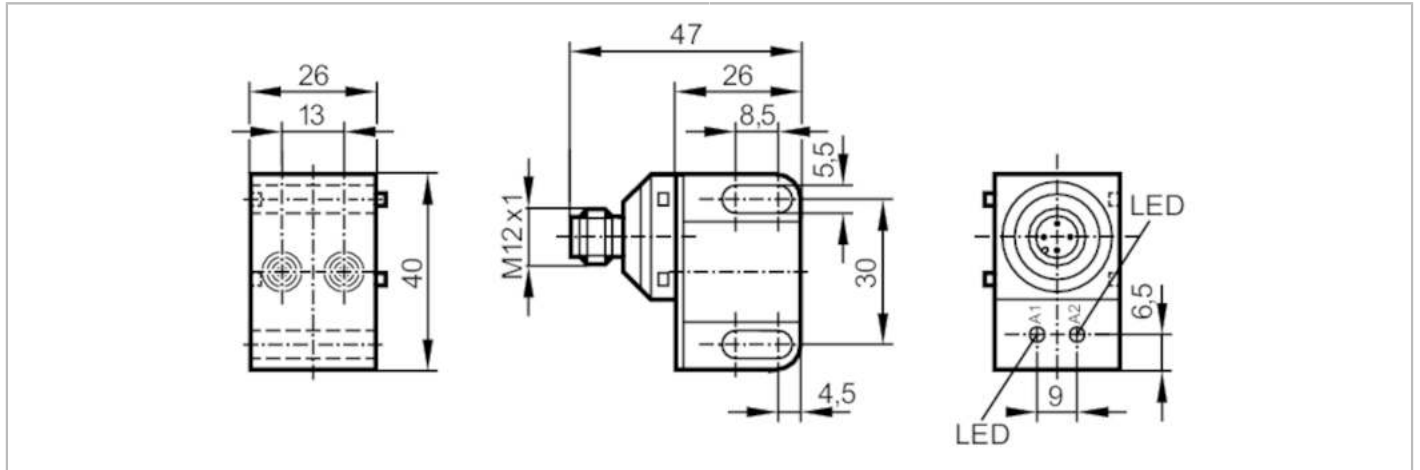


IN5327



Inductive dual sensor for valve actuators

IND3004DBPKG/US-100-DPV



Product characteristics

Electrical design		PNP
Output function		2 x normally open
Sensing range	[mm]	4
Housing		rectangular
Dimensions	[mm]	40 x 26 x 47

Application

Special feature		Gold-plated contacts
-----------------	--	----------------------

Electrical data

Operating voltage	[V]	10...36 DC
Current consumption	[mA]	15; (24 V)
Protection class		II
Reverse polarity protection		yes

Outputs

Electrical design		PNP
Output function		2 x normally open
Max. voltage drop switching output DC	[V]	2.5
Permanent current rating of switching output DC	[mA]	250
Switching frequency DC	[Hz]	1300
Short-circuit protection		yes
Type of short-circuit protection		pulsed
Overload protection		yes

Detection zone


Sensing range	[mm]	4
Real sensing range Sr	[mm]	4 ± 10 %
Operating distance	[mm]	0...3.25

IN5327



Inductive dual sensor for valve actuators

IND3004DBPKG/US-100-DPV

Accuracy / deviations		
Correction factor	steel: 1 / stainless steel: 0.7 / brass: 0.4 / aluminium: 0.3 / copper: 0.2	
Hysteresis [% of Sr]	1...15	
Switch point drift [% of Sr]	-10...10	
Operating conditions		
Ambient temperature [°C]	-25...80	
Protection	IP 67	
Tests / approvals		
EMC	EN 60947-5-2	
	EN 55011	class B
MTTF [years]		1064
UL approval	Ta	0...40 °C
	Enclosure type	Type 1
	power supply	Hazardous voltage
	File number UL	E174191
Mechanical data		
Weight [g]		57
Housing		rectangular
Mounting		non-flush mountable
Dimensions [mm]		40 x 26 x 47
Materials		housing: PBT
Displays / operating elements		
Display	switching status	2 x LED, yellow
Remarks		
Pack quantity		1 pcs.
Electrical connection - plug		
Connector: 1 x M12; coding: A; Moulded body: stainless steel; Contacts: gold-plated		
		

IN5327



Inductive dual sensor for valve actuators

IND3004DBPKG/US-100-DPV

Connection

