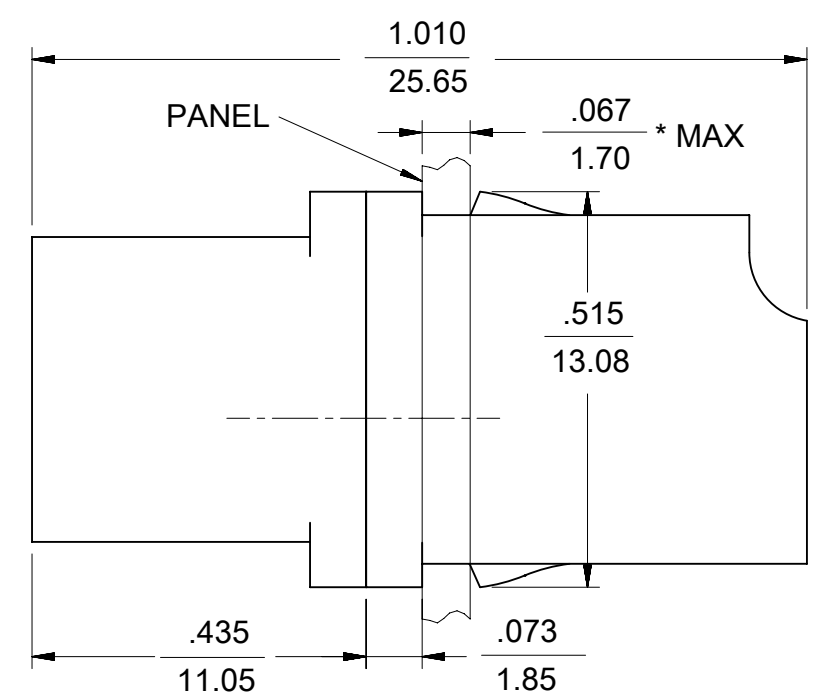
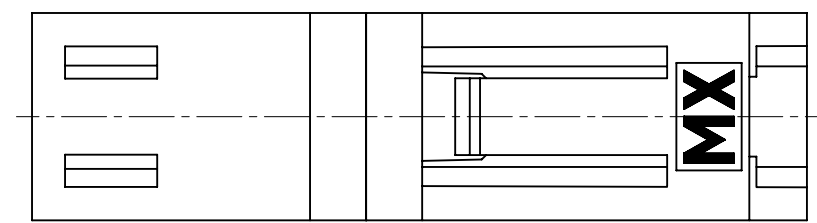
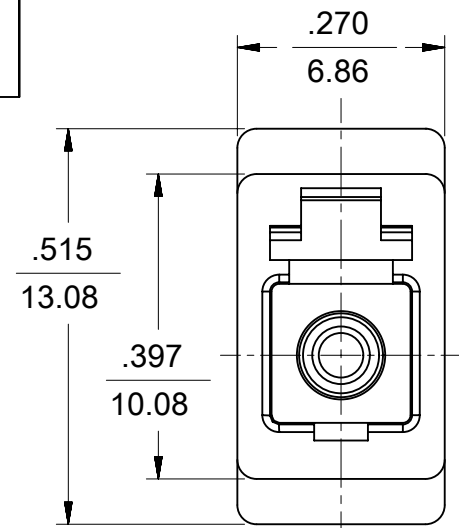
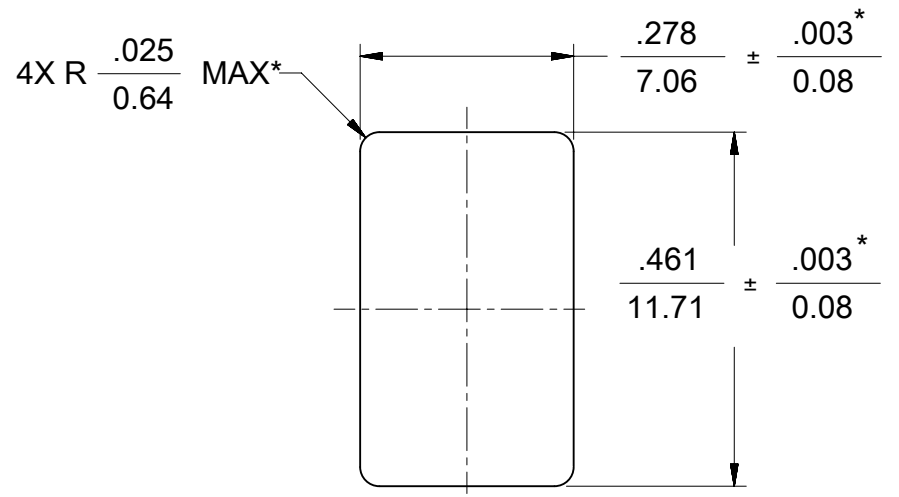
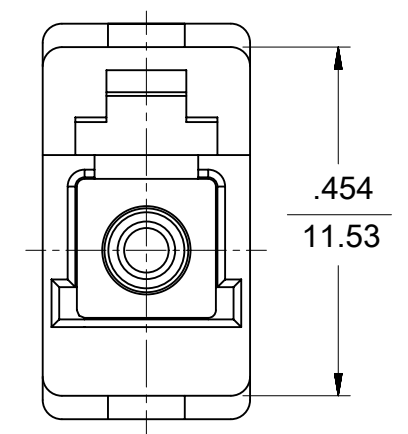


ADAPTER P/N	COLOR	SPLIT SLEEVE MATERIAL
106124-1000	BLUE	ZIRCONIA - ZrO ₂
106124-0010	BEIGE	
106124-1050	GREEN	
106124-0000	BLUE	
106124-1010	BEIGE	



(DUST CAPS ARE NOT SHOWN)



RECOMMENDED PANEL CUTOUT
 PANEL THICKNESS $\frac{.067}{1.70}$ MAX.

NOTES:
 1. ALL DIMENSIONS ARE FOR REFERENCE ONLY, EXCEPT WHEN MARKED WITH (*).

THIS DRAWING CONTAINS INFORMATION THAT IS PROPRIETARY TO MOLEX ELECTRONIC TECHNOLOGIES, LLC AND SHOULD NOT BE USED WITHOUT WRITTEN PERMISSION									
DIMENSION UNITS IN/MM		SCALE 4:1		CURRENT REV DESC:					
GENERAL TOLERANCES (UNLESS SPECIFIED)				molex LC ADAPTER, LOW PROFILE PRODUCT CUSTOMER DRAWING EC NO: 652962 DRWN: SKRISHNAMU01 2021/05/28 CHK'D: WCHEN 2021/08/24 APPR: WCHEN 2021/08/24 INITIAL REVISION: DRWN: PGIPLIN 2005/10/03 APPR:					
		MM	INCH						
4 PLACES	±								
3 PLACES	±								
2 PLACES	±								
1 PLACE	±								
0 PLACES	±								
ANGULAR TOL		± 0.5°		DOCUMENT NUMBER SD-106124-0000		DOC TYPE PSD	DOC PART 001	REVISION C	
DRAFT WHERE APPLICABLE MUST REMAIN WITHIN DIMENSIONS		THIRD ANGLE PROJECTION		DRAWING B-SIZE	SERIES 106124	MATERIAL NUMBER SEE TABLE		CUSTOMER GENERAL MARKET	SHEET NUMBER 1 OF 1

DOCUMENT STATUS	P1	RELEASE DATE	2021/08/24	01:00:13
-----------------	----	--------------	------------	----------