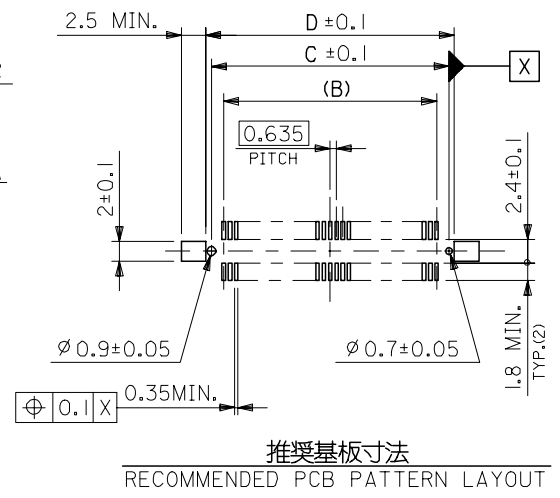
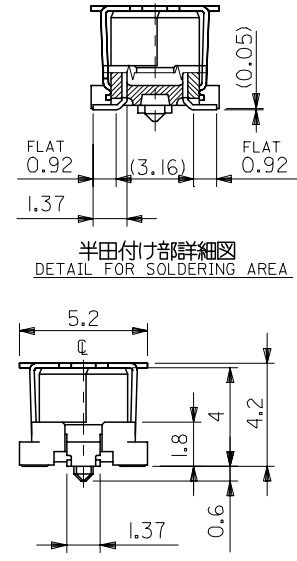
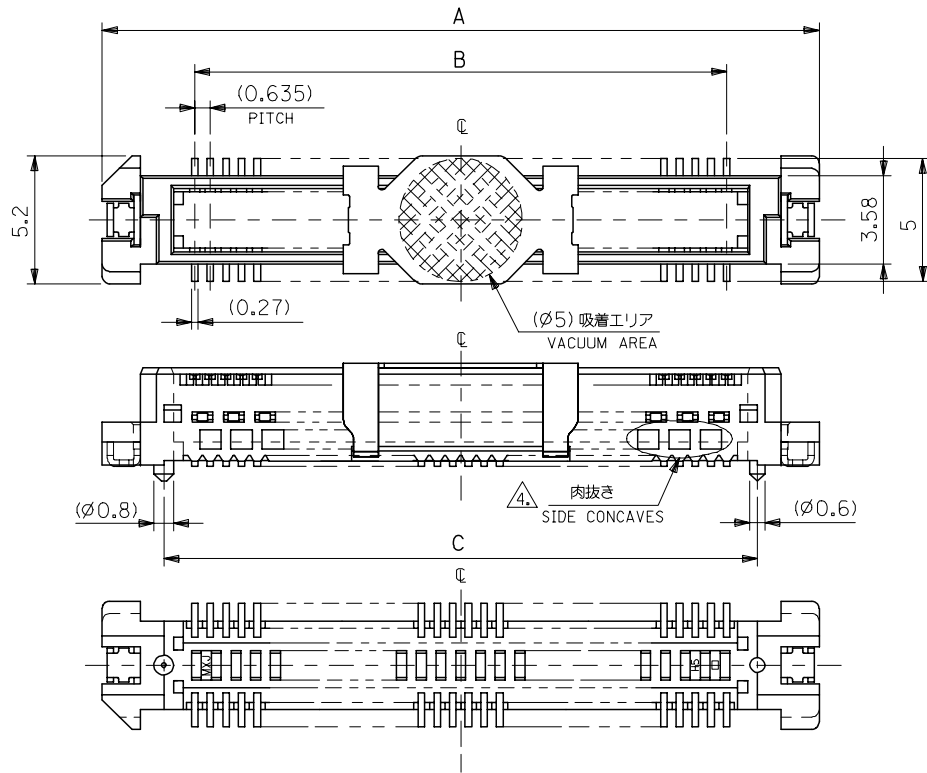


10 9 8 7 6 5 4 3 2 1



注) NOTES

- 材質 MATERIAL
ハウジング: ガラス入りLCP、白色、UL94V-0
HOUSING: G.F.LCP, WHITE, UL94V-0
ターミナル: 銅合金 (t=0.2)
TERMINAL: COPPER ALLOY
吸着カバー: ステンレス (t=0.2)
VACUUM COVER: STAINLESS STEEL
- メッキ仕様 PLATING
接点部 : 金メッキ 0.76 μmMIN.
CONTACT AREA: GOLD 0.76 μmMIN.
半田付け部: 錫メッキ: 1.0 μmMIN.
SOLDER TAIL AREA: TIN 1.0 μmMIN.
下地メッキ: ニッケルメッキ 1.5 μmMIN.
UNDER-PLATING: NICKEL 1.5 μmMIN.
- テールのバラツキ寸法 TAIL COPLANARITY
テール平坦度は、0.1 MAX.とする。
TAILS COPLANARITY TO BE 0.1 MAX.
- 側面の肉抜きは140種以上に適用。
SIDE CONCAVES TO BE APPLICABLE TO 140 CKT. AND MORE.

28.37	27.27	24.765	32.27	501750-0874	501750-0872	80	○
D	C	B	A	エンボス梱包 (EMBOSSED PACKAGING)	製品番号 (MATERIAL NO.)	種数 (CKT. NO.)	量産対応 (AVAILABLE)

RELEASED EC NO: J2005-2905 DRAWN: KENSUZUKI 2005/04/12 CHK'D: NUKITA 2005/04/12 APP'R: NUKITA 2005/04/13	GENERAL TOLERANCES (UNLESS SPECIFIED)		DIMENSION STYLE MM ONLY		SCALE ---	DESIGN UNITS METRIC	THIRD ANGLE PROJECTION
	10 UNDER	±0.2	DRAWN BY KENSUZUKI	DATE 2005/04/01	TITLE 0.635 B/B CONN. PLUG HS'G ASS'Y <AU:0.76> -LEAD FREE-		
	10 OVER 30 UNDER	±0.25	CHECKED BY NUKITA	DATE 2005/04/01	APPROVED BY MOLEX INCORPORATED		
	30 OVER	±0.3	APPROVED BY NUKITA	DATE 2005/04/01	DOCUMENT NO. SD-501750-001		
0	ANGULAR	±3 °	MATERIAL NO. SEE CHART		SHEET NO. 1 OF 1		
DRAFT WHERE APPLICABLE MUST REMAIN WITHIN DIMENSIONS		SIZE A3		THIS DRAWING CONTAINS INFORMATION THAT IS PROPRIETARY TO MOLEX INCORPORATED AND SHOULD NOT BE USED WITHOUT WRITTEN PERMISSION			

F

E

D

C

B

A

F

E

D

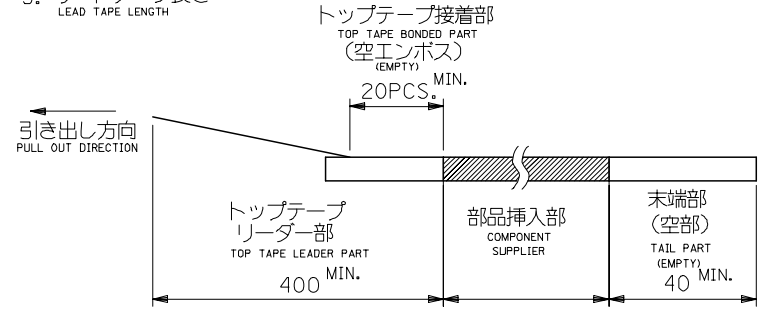
C

B

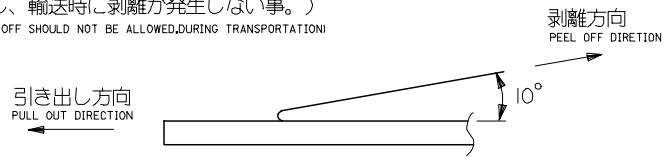
A

注)
NOTES

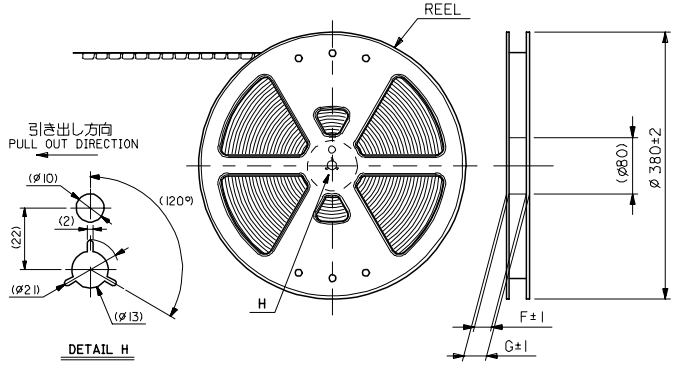
- 製品番号 501750-**72 の詳細寸法(0.1mm単位)では、SD-501750-001 を参照下さい。
IN THE PACKAGE, PART NO. 501750-**72 DETAILED DIMENSIONS, SEE SD-501750-001.
- 梱包数量 : 1000個/リール
NUMBER OF CONNECTORS : 1000 PCS/REEL
- リードテープ長さ
LEAD TAPE LENGTH



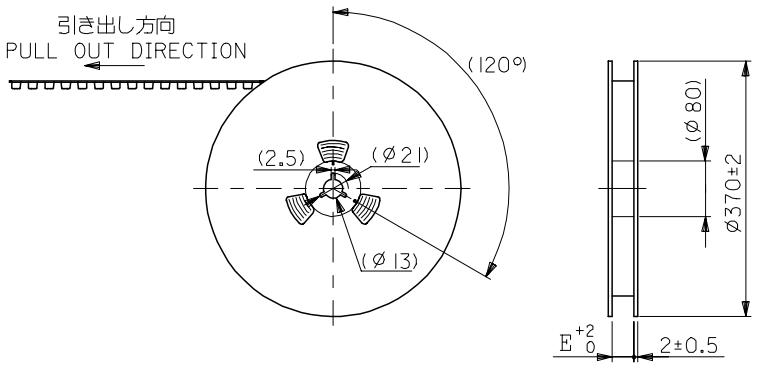
- トップテープの剥離強度 (剥離方向は下図参照)
PEELING OFF FORCE OF TOP TAPE (PEELING DIRECTION AS SHOWN IN FOLLOWING FIG.)
0.1~1.3N (10~130gf)
尚、本規格値は、出荷時に適用。
THIS REQUIREMENT SHOULD BE APPLIED AT SHIPMENT
(但し、輸送時に剥離が発生しない事。)
(PEEL OFF SHOULD NOT BE ALLOWED DURING TRANSPORTATION)



- 材料
MATERIAL
キャリアテープ : ポリプロピレン (PP)
CARRIER TAPE : POLYPROPYLENE (PP)
トップテープ : PET, PE, PEF
TOP TAPE : PET, PE, PEF
リール : キャリアテープ幅 2.4mm~5.6mm : ポリスチレン
REEL : CARRIER TAPE WIDTH 2.4mm-5.6mm : POLYSTYRENE
キャリアテープ幅 7.2mm : 紙
CARRIER TAPE WIDTH 7.2mm : CARD BOARD



キャリアテープ幅 : 2.4mm~5.6mm
CARRIER TAPE WIDTH : 2.4mm-5.6mm



キャリアテープ幅 : 7.2mm
CARRIER TAPE WIDTH : 7.2mm

RELEASED EC NO: J2005-2905 DRAWN: KENSUZUKI 2005/04/12 CHKD: NUKITA 2005/04/12 APPR: NUKITA 2005/04/13	GENERAL TOLERANCES (UNLESS SPECIFIED)		DIMENSION STYLE MM ONLY		SCALE ---	DESIGN UNITS METRIC	THIRD ANGLE PROJECTION	
	10 UNDER	±0.2	DRAWN BY KENSUZUKI	DATE 2005/04/01	TITLE 501750-**72 TAPING PACKAGE -LEAD FREE-			
	10 OVER 30 UNDER	±0.25	CHECKED BY NUKITA	DATE 2005/04/01	MOLEX MOLEX INCORPORATED			
	30 OVER	±0.3	APPROVED BY NUKITA	DATE 2005/04/01	DOCUMENT NO. SD-501750-002		SHEET NO. 1 OF 2	
	ANGULAR	±3 °	MATERIAL NO. SEE CHART					
0	DRAFT WHERE APPLICABLE MUST REMAIN WITHIN DIMENSIONS		SIZE A3		THIS DRAWING CONTAINS INFORMATION THAT IS PROPRIETARY TO MOLEX INCORPORATED AND SHOULD NOT BE USED WITHOUT WRITTEN PERMISSION			

10 9 8 7 6 5 4 3 2 1

F

E

D

C

B

A

F

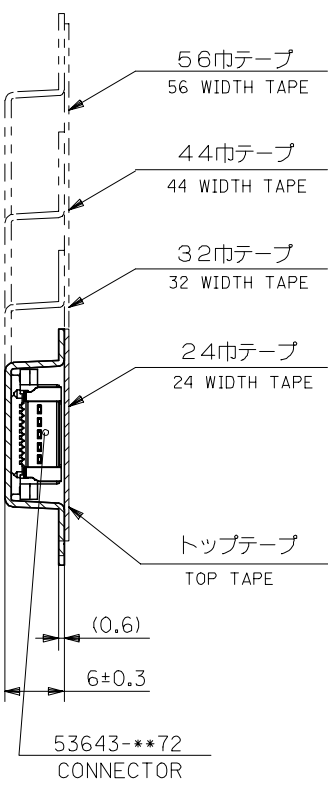
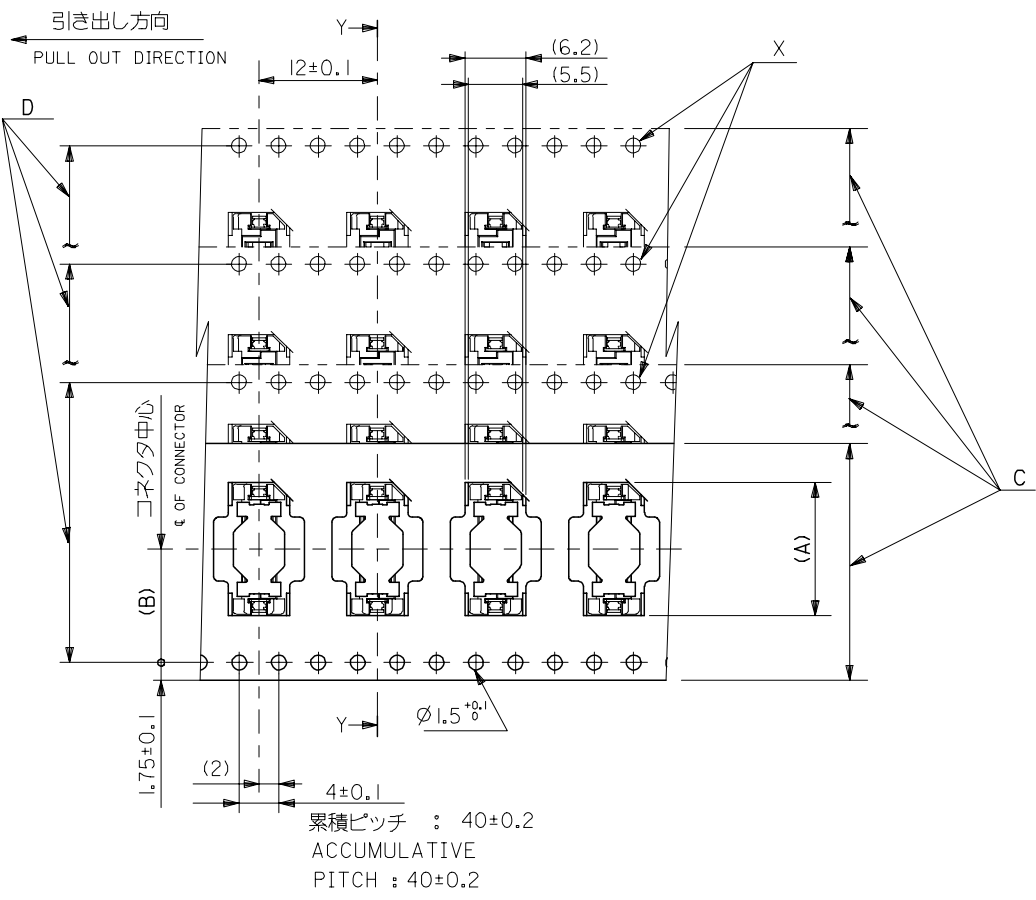
E

D

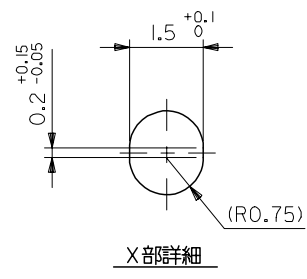
C

B

A



断面 Y-Y
SECTION Y-Y



49.4	45.4	40.4	44 ^{+0.3}	20.2	32.6	501750-0874	80	○
G	F	D	C	キャリアテープ幅 C CARRIER TAPE WIDTH	(B)	(A)	MATERIAL NO.	極数 NO. OF CXTS. AVAILABLE

RELEASED EC NO: J2005-2905 DRAWN: KENSUZUKI 2005/04/12 CHK'D: NUKITA 2005/04/12 APPR: NUKITA 2005/04/13	GENERAL TOLERANCES (UNLESS SPECIFIED)		DIMENSION STYLE MM ONLY		SCALE 10:1	DESIGN UNITS METRIC	THIRD ANGLE PROJECTION	
	10 UNDER	±0.2	DRAWN BY KENSUZUKI		DATE 2005/04/01	TITLE 501750-**72 TAPING PACKAGE -LEAD FREE-		
	10 OVER 30 UNDER	±0.25	CHECKED BY NUKITA		DATE 2005/04/01	MOLEX INCORPORATED DOCUMENT NO. SD-501750-002 SHEET NO. 2 OF 2		
	30 OVER	±0.3	APPROVED BY NUKITA		DATE 2005/04/01			
	0	ANGULAR ±1 °	DRAFT WHERE APPLICABLE MUST REMAIN WITHIN DIMENSIONS		SEE CHART		THIS DRAWING CONTAINS INFORMATION THAT IS PROPRIETARY TO MOLEX INCORPORATED AND SHOULD NOT BE USED WITHOUT WRITTEN PERMISSION	