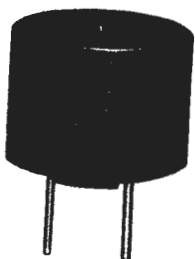


ELECTRO ACOUSTIC TRANSDUCER

BRT1209P-C Series - ROHS COMPLIANT

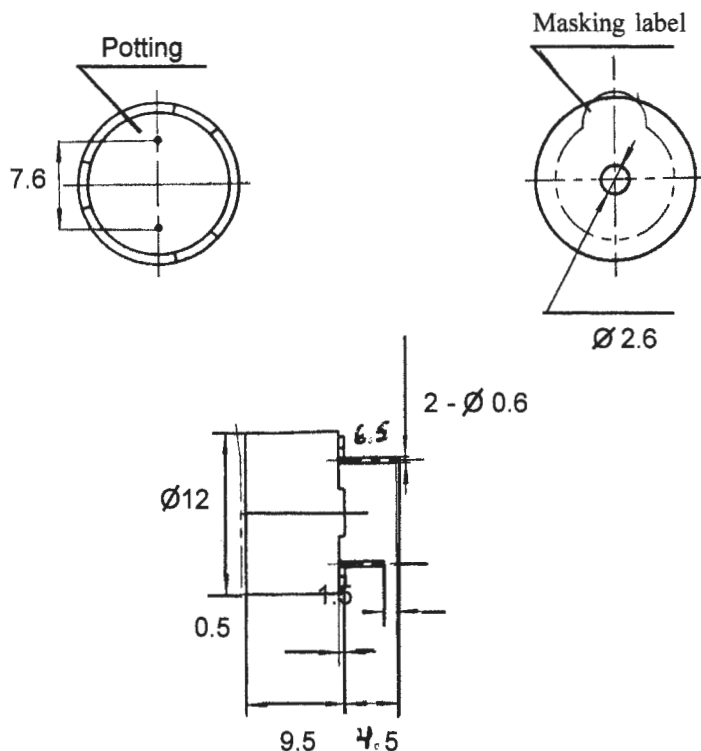
FEATURES

- Ultra small
- Ready for dip soldering and flux washing
- Low current consumption



APPLICATIONS

- Microwave oven, pocket pager, timer, electronic cash register, printer, copy machine, computer peripherals, POS system, electric typewriter, keyboard, telephone, automobile electronics, portable battery operated equipment



SPECIFICATIONS

| Model No. | BRT1209P-01-C | BRT1209P-06-C | BRT1209P-12-C |
|---------------------------------|---------------|---------------|---------------|
| Rated Voltage DC (V) | 1.5 | 6 | 12 |
| Operating Voltage (V) | 1.3 ~ 2 | 4 ~ 7 | 8 ~ 15 |
| Rated Current (mA) | MAX.20 | MAX.30 | |
| Sound Output Level at 10cm (dB) | MIN. 75 | MIN. 85 | |
| Resonant Frequency (Hz) | 2300 ± 400 | 2300 ± 300 | |
| Temperature Range (°C) | -10 to +50 | -25 to +80 | |
| Weight (g) | 2 | | |
| Dimensions (mm) | 12D x 9.5H | | |

Tolerance: ± 0.5 mm

INTERVOX
International ©

INTERNATIONAL COMPONENTS CORPORATION
215 MCCORMICK DRIVE, BOHEMIA, NY 11716
FAX: 631-952-9595 FAX: 631-952-9597

Title:

Electro Acoustic Transducer

Intervox Model #
BRT1209P-C Series

Rev

Scale
mm

Date

Sheet 1 of 1