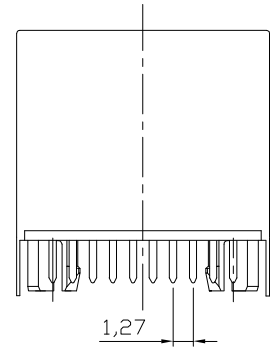
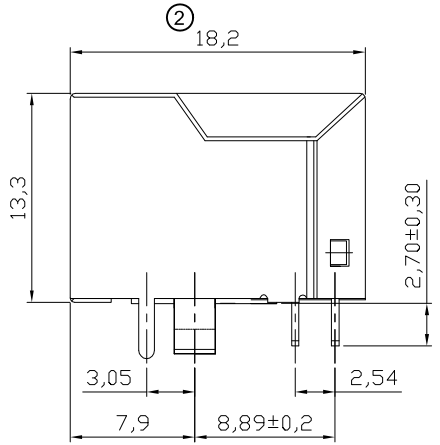
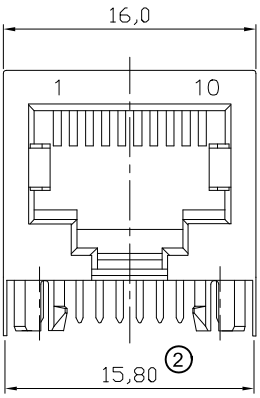


A



- NOTES:  
 Mechanical:  
 1. Housing material : Class Filled Polyester UL94V-0 , Color: Black  
 2. Contact material: Phosphor Bronze t=0.35mm  
 ① 3. Contact plating: Contact area---see order code  
 Tails---100~200u" Tin plated over 30~80u" Nickel  
 4. Shell material: Copper Alloy  
 5. Shell plating: Nickel plated  
 6. Operating Life: 750 Cycles min.  
 7. PCB Retention Pre-solder: 1 LB min.  
 8. PCB Retention Post-solder: 10 LBS min.  
 Electrical:  
 1. Voltage Rating: 125VAC.  
 2. Current Rating: 1.5AMP.  
 3. Contact Resistance: 30mΩ max.  
 4. Insulation Resistance: 1000MΩ min. @ 500 VDC  
 5. Dielectric Strength: 1000 VAC 60Hz, 1 min.  
 Environmental:  
 1. Storage: -40°C To +85°C  
 2. Operation: -40°C~+85°C  
 3. Wave Soldering Temp: 200~220°C(5~10S)  
 Packing: 70pcs/Tray,1960pcs/Carton

A

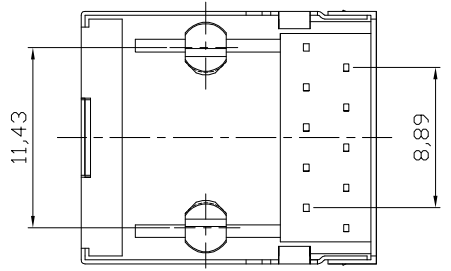
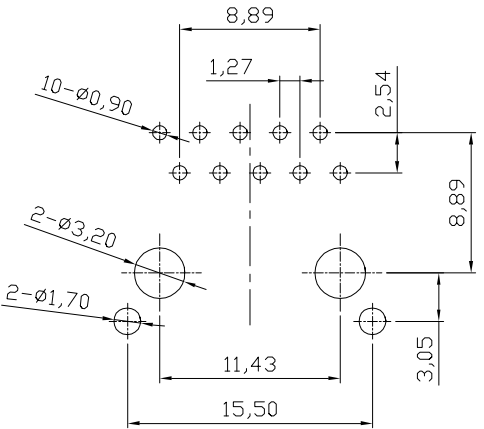
B

C

D

E

F



Order code: A-2004-2-X-LPS-N

- Contact plating: ①  
 1. 15u" gold over 30~80u" Nickel  
 2. 30u" gold over 30~80u" Nickel  
 3. 50u" gold over 50~80u" Nickel  
 4. 6u" gold over 30~80u" Nickel

B

C

D

E

F

**RoHS compliant**  
Unit:mm

Scale	Free					Date	Name	Customer-No.
TOLERANCE						Drawn	Amy	
X.X	±0.20					Approved	Luca	ASSMANN WSW-No.
X.XX	±0.15							A-2004-2-X-LPS-N
X.XXX	±0.10	②	Update dimensions	22.03.2022	Luca			
DIM	TOL	①	Update the detail plating information	21.08.2015	Amy			Drawing-No.
		①	Drawn	27.05.2013	Amy			<b>ASS 5694 CO</b>
Angle	±5°	Id.	Modification	Date	Name			rev02
								Replace



**ASS 5694 CO** rev02  
SHEET

H