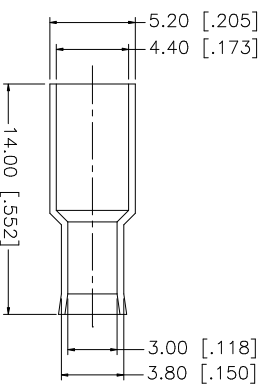
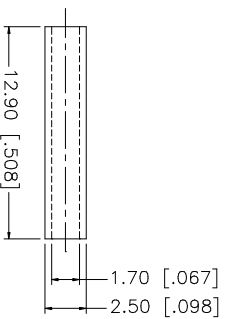
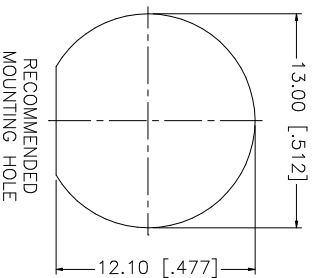
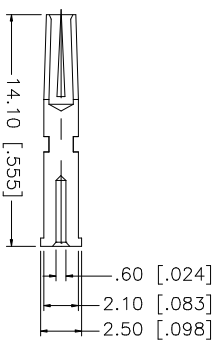
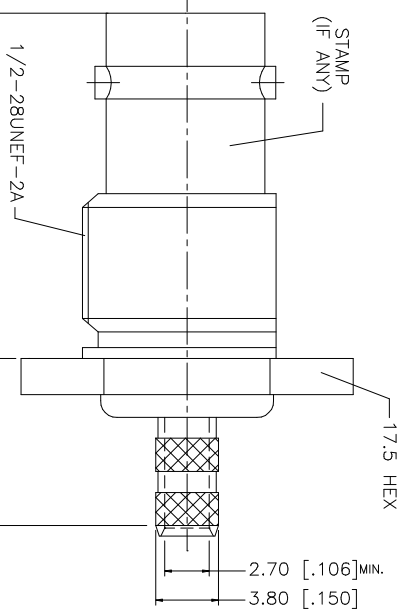
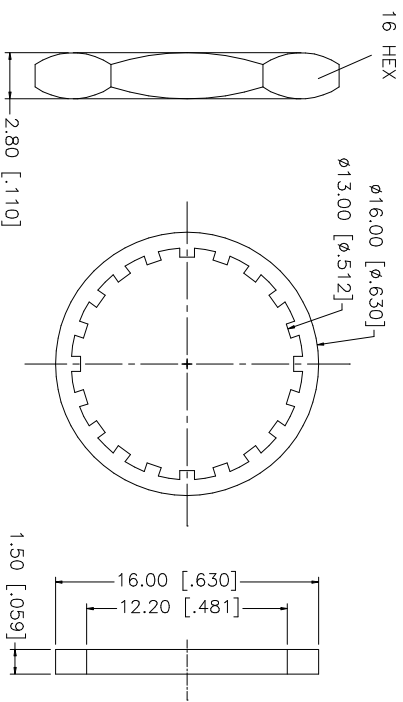
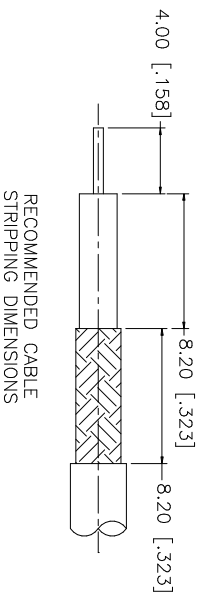


REV.	DATE	DESCRIPTION
NC	12/27/03	INITIAL RELEASE



- NOTE:
1. CRIMPED FERRULE HEX CRIMP SIZE .178"
 2. CRIMPED CONTACT PIN HEX CRIMP SIZE .068"
 3. MAX. PANEL THICKNESS = 6.5mm

QTY	DESCRIPTION	MATERIAL	FINISH	UNLESS OTHERWISE SPECIFIED DIMENSIONS ARE IN MILLIMETERS. DIMENSIONS IN [] ARE IN INCHES AND FOR CUSTOMER REFERENCE ONLY. TOLERANCES FOR MILLIMETERS ARE:	APPROVALS	DATE	PART DESCRIPTION		
1	HEX NUT	BRASS	NICKEL	0.5 - 8mm ± 0.20mm	UNLESS OTHERWISE SPECIFIED DIMENSIONS ARE IN MILLIMETERS. DIMENSIONS IN [] ARE IN INCHES AND FOR CUSTOMER REFERENCE ONLY. TOLERANCES FOR MILLIMETERS ARE: 0.5 - 8mm ± 0.20mm 8 - 30mm ± 0.40mm 30 - 120mm ± 0.50mm UNLESS OTHERWISE SPECIFIED TOLERANCES FOR INCHES ARE: .020 - .315 = ± 0.007" .315 - 1.180 = ± 0.015" 1.180 - 4.724 = ± 0.020"		Amphenol Connex BNC BULKHEAD CRIMP JACK (FOR RG-174/U, 188A/U, 316/U CABLE) 112719		
1	LOCK WASHER	BRASS	NICKEL	UNLESS OTHERWISE SPECIFIED TOLERANCES FOR MILLIMETERS ARE:		DRAWN		G.R.S.	12/27/03
1	FERRULE	BRASS	NICKEL	0.5 - 8mm ± 0.20mm		CHECKED			
1	SLEEVE	DELRIN	NATURAL	8 - 30mm ± 0.40mm		ISSUED			
1	GASKET	RUBBER	RED	30 - 120mm ± 0.50mm		SHEET		1 OF 1	
1	CONTACT PIN	PHOS. BRONZE	GOLD	UNLESS OTHERWISE SPECIFIED TOLERANCES FOR INCHES ARE:		CAD FILE			
1	INSULATOR BODY	TEFLON BRASS	NATURAL NICKEL	.020 - .315 = ± 0.007" .315 - 1.180 = ± 0.015" 1.180 - 4.724 = ± 0.020"	DWG. NO.				
1	DESCRIPTION	MATERIAL	FINISH	DO NOT SCALE DRAWING	C:/112/112719.DWG	DWG. NO.	112719.DWG		
					REV.	NC	SIZE	A	
					SCALE		NA		