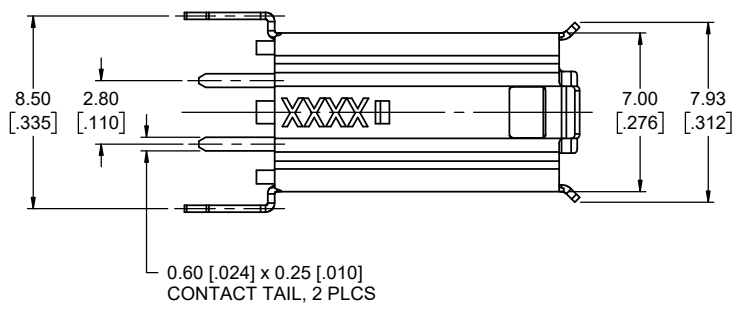
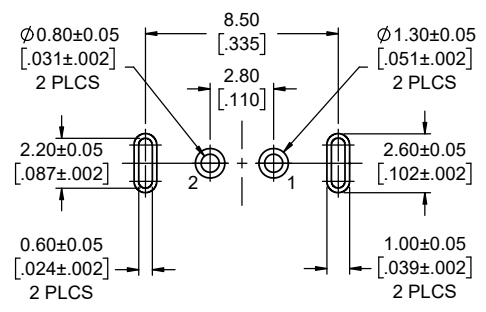


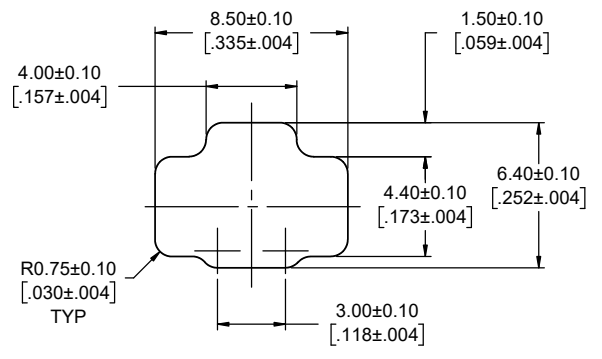
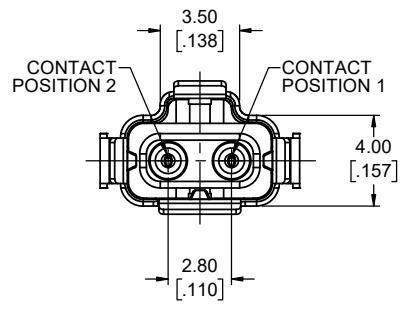
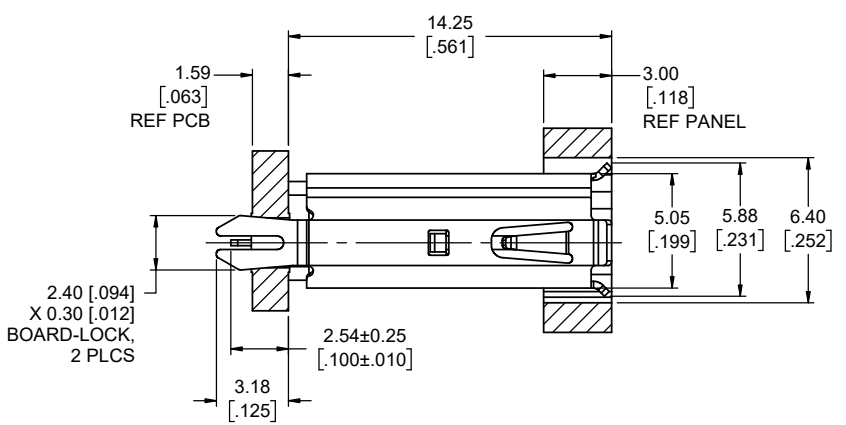
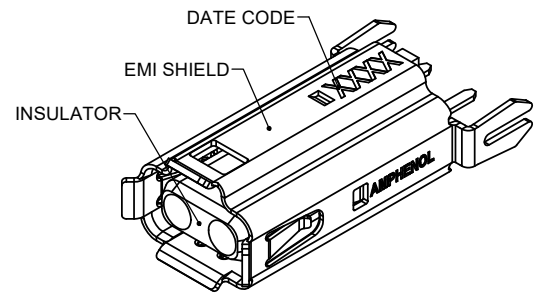
REVISIONS			
REV	DESCRIPTION, ECN, EAR NO.	DATE	APP'D
C	PRODUCT DRAWING (EAR 14781)	JUN01/20	M.P.
D	PRODUCT DRAWING (EAR 14903)	APR20/21	M.P.



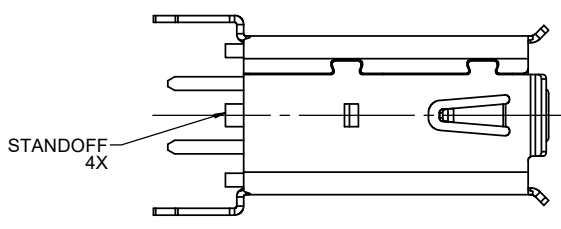
LOCATE HOLES
 $\varnothing 0.10 [0.004]$
 POSITION DIMENSIONS
 ARE BASIC



**RECOMMENDED PCB LAYOUT
 COMPONENT SURFACE**



RECOMMENDED PANEL CUTOUT



NOTES:

- MATERIALS: ALL MATERIALS ARE RoHS COMPLIANT PER EU DIRECTIVE 2011/65/EU AND AMENDMENTS.
 - EMI SHIELD: STAINLESS STEEL PLATED WITH MATTE TIN OVER NICKEL
 - CONTACTS: COPPER ALLOY PLATED WITH NICKEL OVERALL, 0.76µm (30µ") GOLD ON THE MATING AREA, AND MATTE TIN ON THE TAILS
 - INSULATOR: ENGINEERING THERMOPLASTIC, UL94V-0 FLAMMABILITY RATING, COLOUR: BLACK
- DESIGNED IN ACCORDANCE WITH IEC STANDARD 63171-6.
 - DATA TRANSMISSION WITH FREQUENCIES UP TO 600 MHZ
 - COMPATIBLE WITH 10BASE-T1, 100BASE-T1, & 1000BASE-T1
- ELECTRICAL CHARACTERISTICS:
 - CURRENT RATING: 4A
 - VOLTAGE RATING: 60VDC MAX
 - CONTACT RESISTANCE: 20mΩ MAX
- OPERATING TEMPERATURE: -40°C TO +85°C

CONTACT POSITION	SIGNAL PER IEC 63171-6
1	BI_DA+
2	BI_DA-

AMPHENOL P/N: MSPE-J2L0-E00



UNLESS SPECIFIED OTHERWISE	DRAWN	M. PAHULJE	NOV13/19
PRIMARY UNITS MILLIMETRES	CHECKED		
SECONDARY UNITS INCHES	M.E. APP'D		
REFERENCE IN PARENTHESES	Q.A. APP'D		
GENERAL TOLERANCES	DWG APPR.		
1 DECIMAL PLACE	ENG. REL. NO.	EAR 14781	
2 DECIMAL PLACES ±0.15	REF.		
3 DECIMAL PLACES	THIRD ANGLE PROJECTION		
ANGULAR DEGREES	DO NOT SCALE DRAWING		

Amphenol Canada Corp.
 Commercial Products

MSPE SERIES, IP20 JACK, LATCH-LOCKING, VERTICAL PCB TERMINATION, WITH BOARDLOCK, RoHS COMPLIANT

DWG. NO. **P-MSPE-J2L0-E00** REV **D**

CODE ID NO. 03554 DWG SIZE: X SCALE: 6:1 SHEET 1 OF 1

THIS DOCUMENT CONTAINS PROPRIETARY INFORMATION AND SUCH INFORMATION MAY NOT BE DISCLOSED TO OTHERS FOR ANY PURPOSE OR USED FOR MANUFACTURING PURPOSES WITHOUT WRITTEN PERMISSION FROM AMPHENOL CANADA CORP.