

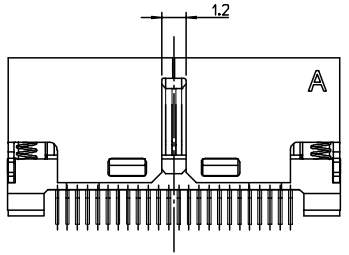
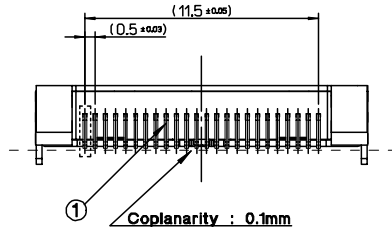
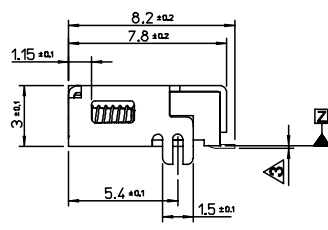
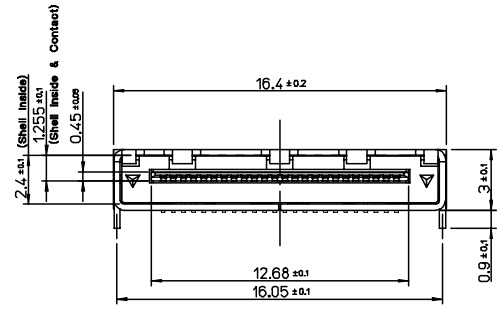
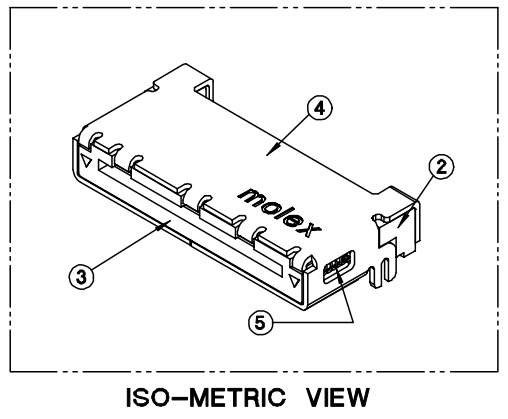
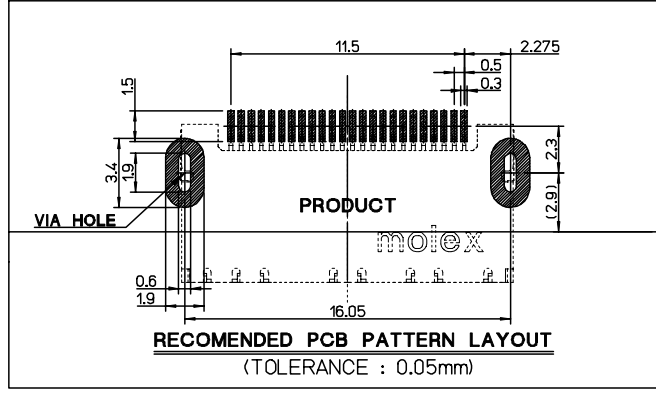
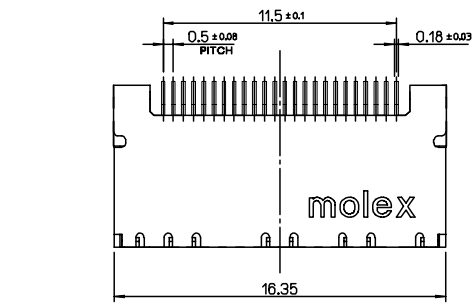
DWG. NO. SD-49045-001

SIMILAR ITEM

PROJECT NO.

B

DO NOT SCALE DRAWING DIMENSION IN METRIC



NOTES

1. MATERIALS: SEE TABLE 2
2. FINISHES: SEE TABLE 2
3. ALIGNMENT OF SOLDER TAILS FROM Z: UPPER DIRECTION 0.05 MAX. LOWER DIRECTION 0.1 MAX.
4. COPLANARITY OF SOLDER TAILS : 0.1mm MAX.
5. PRODUCT SPECIFICATION : PS-49045-001
6. PACKAGING SPECIFICATION : PK-49045-001

TABLE 1

SILVER	490450016	49045-0016
BLACK	490450011	49045-0011
COLOR	MATERIAL NO.	ENGINEERING NO.

TABLE 2

⑤	SPRING	STAINLESS STEEL	NONE
④	METAL SHELL	STAINLESS STEEL	NICKEL
③	SHUTTER	POLY AMIDE UL94V-0	BLACK / NATURAL
②	HOUSING	POLY AMIDE UL94V-0	BLACK COLOR
①	CONTACT TERMINAL	COPPER ALLOY	SELECTIVE GOLD
NO.	DESCRIPTION	MATERIAL	FINISH

REVISED	ECN NO. KOR2007-0007 DRWN: E.S.JUNG 06/07/24 CHK: S.H.JOO APPR: S.J.SEH	DESCRIPTION	QUALITY SYMBOLS MAJOR CRITICAL	GENERAL TOLERANCES: (UNLESS SPECIFIED)		SCALE 4 : 1	DESIGN UNITS <input checked="" type="checkbox"/> mm <input type="checkbox"/> INCH	DIMENSIONS: <input type="checkbox"/> mm <input type="checkbox"/> INCH <input checked="" type="checkbox"/> mm ONLY		SHT	REV
				4 PLACES ±0	3 PLACES ±0.1	2 PLACES ±0.1	1 PLACE ±0.2	ANGULAR: ± 3 °	DRAWN BY & DATE E.S.JUNG 05/07/19		THIRD ANGLE PROJECTION
C	REV	DESCRIPTION	QUALITY SYMBOLS	DRAFT WHERE APPLICABLE MUST REMAIN WITHIN DIMENSIONS		THIS DRAWING CONTAINS INFORMATION THAT IS PROPRIETARY TO MOLEX INCORPORATED AND SHOULD NOT BE USED WITHOUT WRITTEN PERMISSION.		MATERIAL NO. SD49045001.MI		DRAWING NO. SD-49045-001	SHEET NO. 1 OF 2
				KOREA		MX-A3					

DO NOT SCALE DRAWING DIMENSION IN METRIC

B

C

PROJECT NO.

SIMILAR ITEM

DWG. NO. SD-49045-001

8 7 6 5 4 3 2 1

F

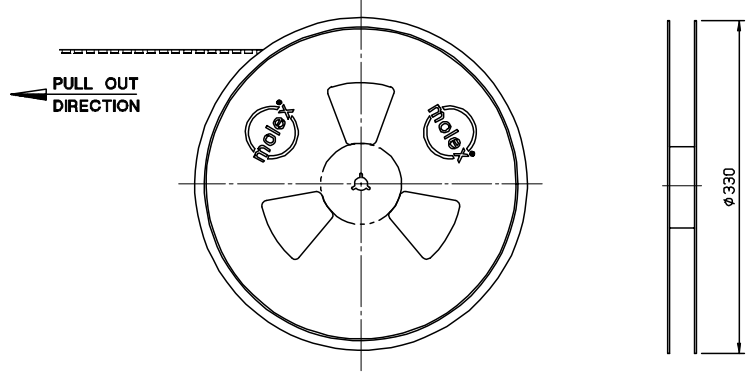
E

D

C

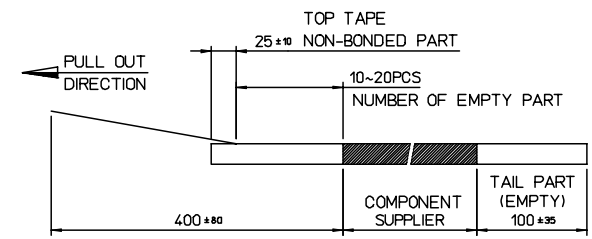
B

A

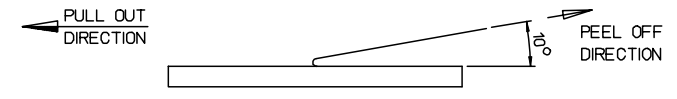


NOTES

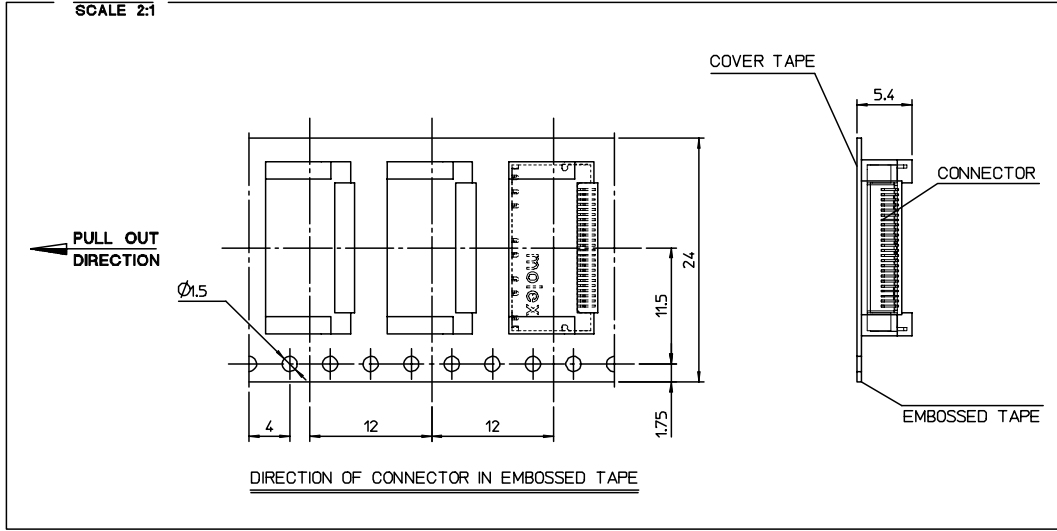
1. QUANTITY OF CONNECTORS : 1,000PCS/REEL
2. LEAD LENGTH



3. PEELING OFF FORCE OF COVER TAPE : 0.1N ± 0.59N(10.2 ± 60GF)
(PEELING DIRECTION AS SHOW IN FOLLOW FIG.)
- PEELING OFF SPEED : 300mm/Min.(Ref.)



DETAIL SCALE 2:1



DO NOT SCALE DRAWING DIMENSION IN METRIC

RELEASE ECN NO. KOR2008-0074 DRWN: ES.JUNG 05/12/21 CHK: SH.JOO APPR: SJ.SEH	DESCRIPTION A1	QUALITY SYMBOLS	GENERAL TOLERANCES: (UNLESS SPECIFIED)	SCALE 4 : 1	DESIGN UNITS <input checked="" type="checkbox"/> mm <input type="checkbox"/> INCH	<input type="checkbox"/> THIRD ANGLE <input type="checkbox"/> PROJECTION	DIMENSIONS: <input type="checkbox"/> mm <input type="checkbox"/> INCH <input checked="" type="checkbox"/> mm ONLY	SHT REV	
		MAJOR =							
		CRITICAL C							

8 7 6 5 4 3 2 1

KOREA MX-A3