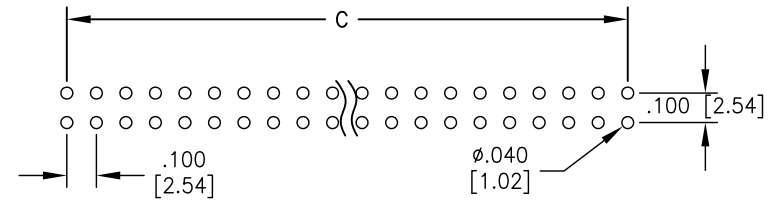
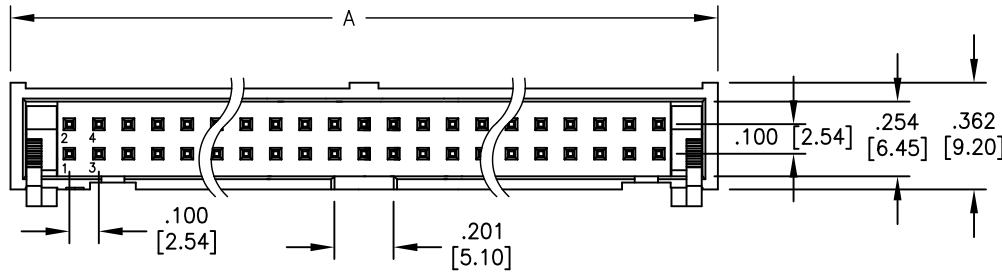


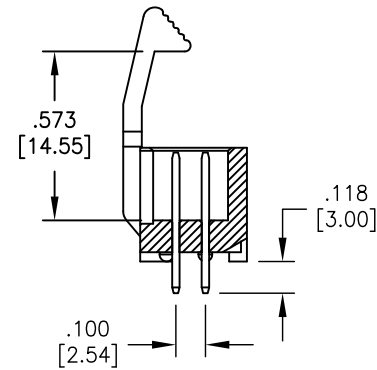
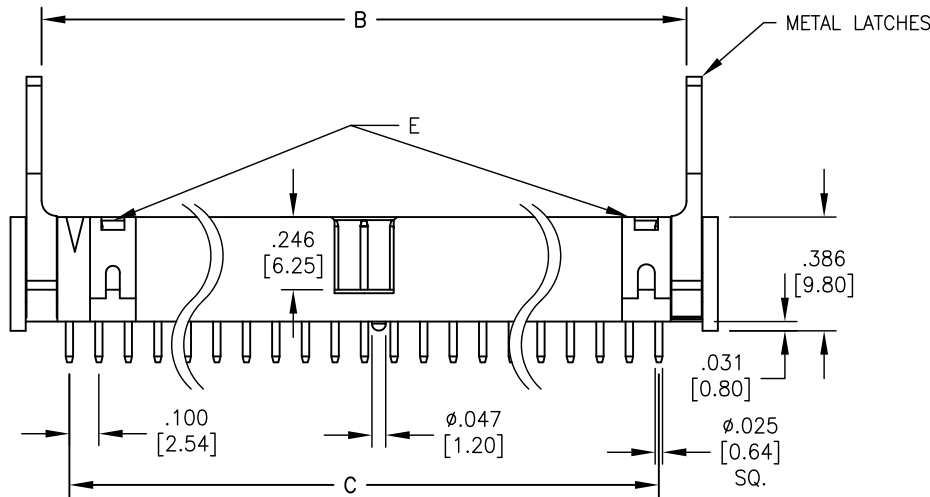
APPROVED: _____

DATE: _____ TITLE: _____

Rev	AWO #	Description	Date	Appr
-		RELEASED	11/16/04	
A		REDRAWN	10/27/10	
B		UPDATED SPEC.	6/30/16	HR/AL



RECOMENDED PCB LAYOUT



SPECIFICATION:

Material:

Insulator: PBT, glass reinforced, rated UL 94V-0

Insulator Color: Black

Metal Latch: Zinc Alloy, Nickel plated.

Contacts: Brass

Contact Plating:

Gold Flash over Nickel underplate overall

Electrical:

Current rating: 3 Amps

Contact resistance: 20 mohms max

Insulation resistance: 1000 Mohms min

Dielectric withstanding voltage: 1000 VAC/DC

Temperature Rating:

Operating temperature: -40°C TO +105°C

Environmental:

Lead free, RoHS compliant.



Positions: 06, 08, 10, 14, 16, 20, 24, 26, 30, 34, 40, 50, 60, 64

A = $.100 [2.54] \times \text{No. of Positions} / 2 + .300 [7.62]$

B = $.100 [2.54] \times \text{No. of Positions} / 2 + .088 [2.24]$

C = $.100 [2.54] \times \text{No. of Positions} / 2 - .100 [2.54]$

Above 20 Positions with "E" Profile

UNLESS OTHERWISE SPECIFIED
ALL DIMENSIONS ARE INCHES [MM]
TOLERANCES: EXCEPT AS NOTED

.X ± .10	∅.X ± .10
.XX ± .020	∅.XX ± .015
.XXX ± .015	∅.XXX ± .010

ADAM TECH

909 Rahway Avenue, Union, NJ 07083

Phone: 908-687-5000 Fax: 908-687-5710

APPROVALS		DATE
DRAWN	SS	11/16/04
CHECKED		
APPROVED		

TITLE			
BOX HEADER, .100 PITCH, PCB MOUNT, 2 ROW, METAL LATCH, GOLD PLATED			
SIZE	PART NO.	REV.	
X	BHR-XX-VUA-ML	B	
REF:	S00019C	SCALE: NTS	SHEET 1 OF 1