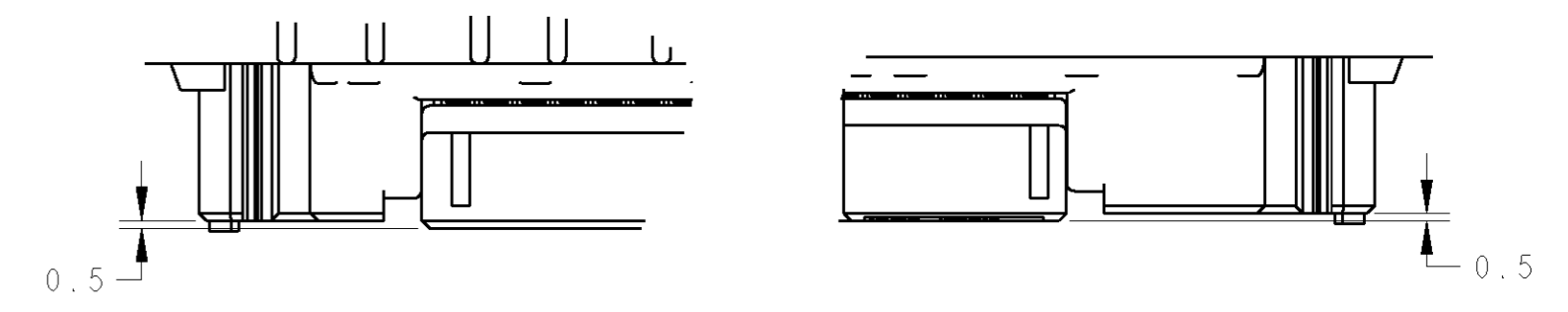
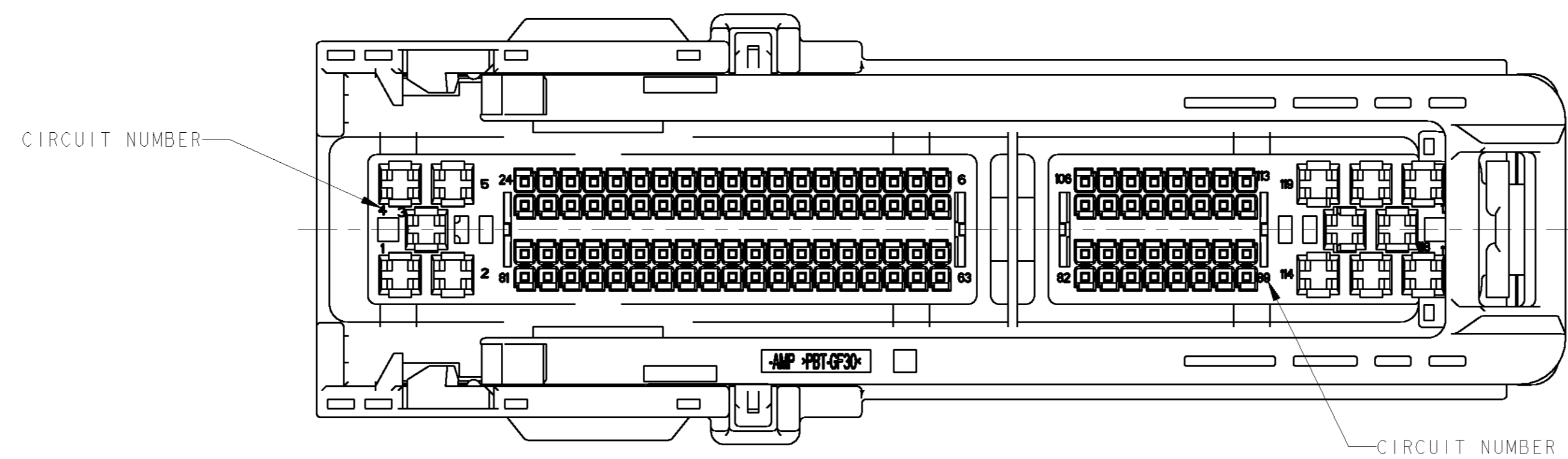
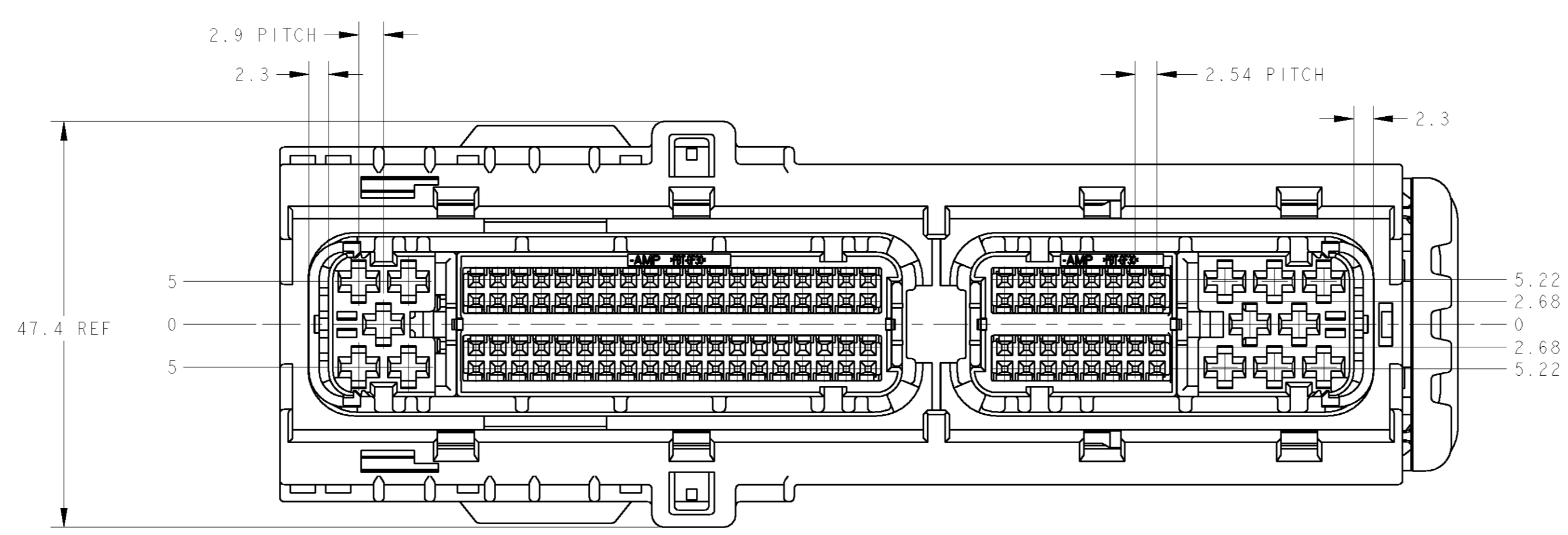
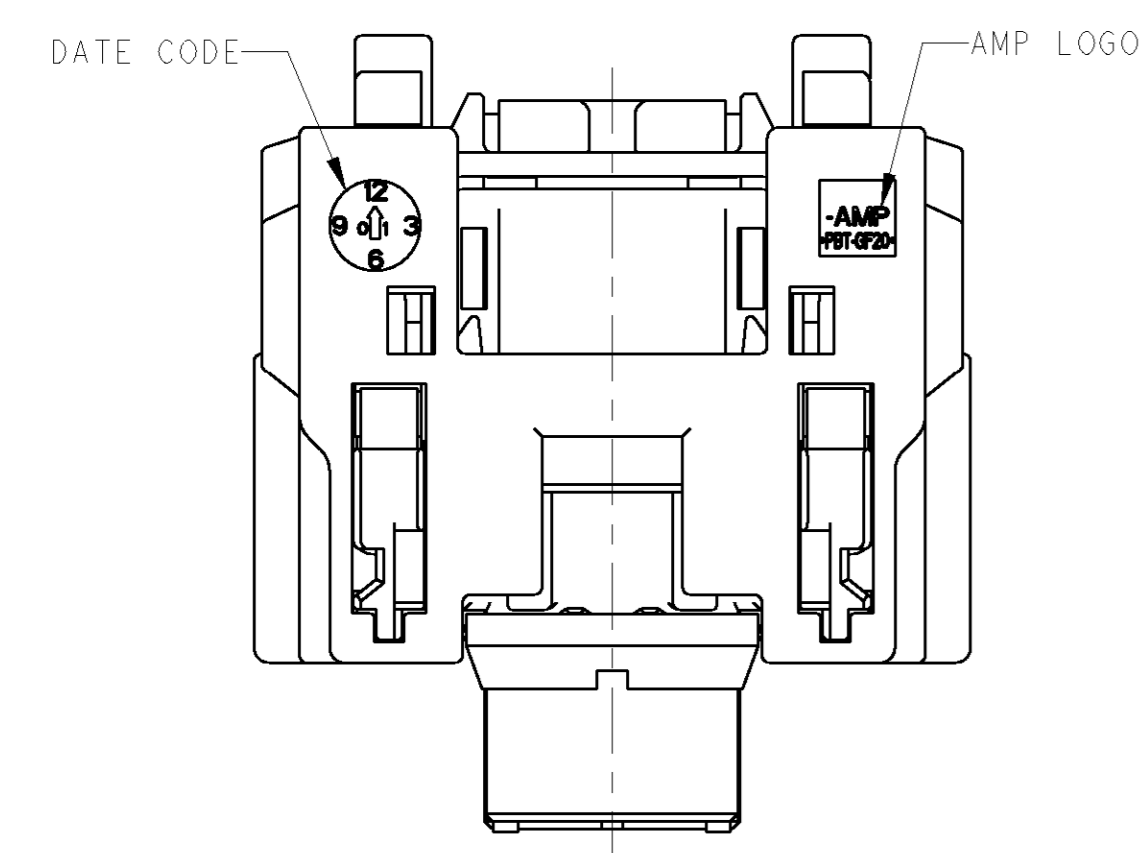
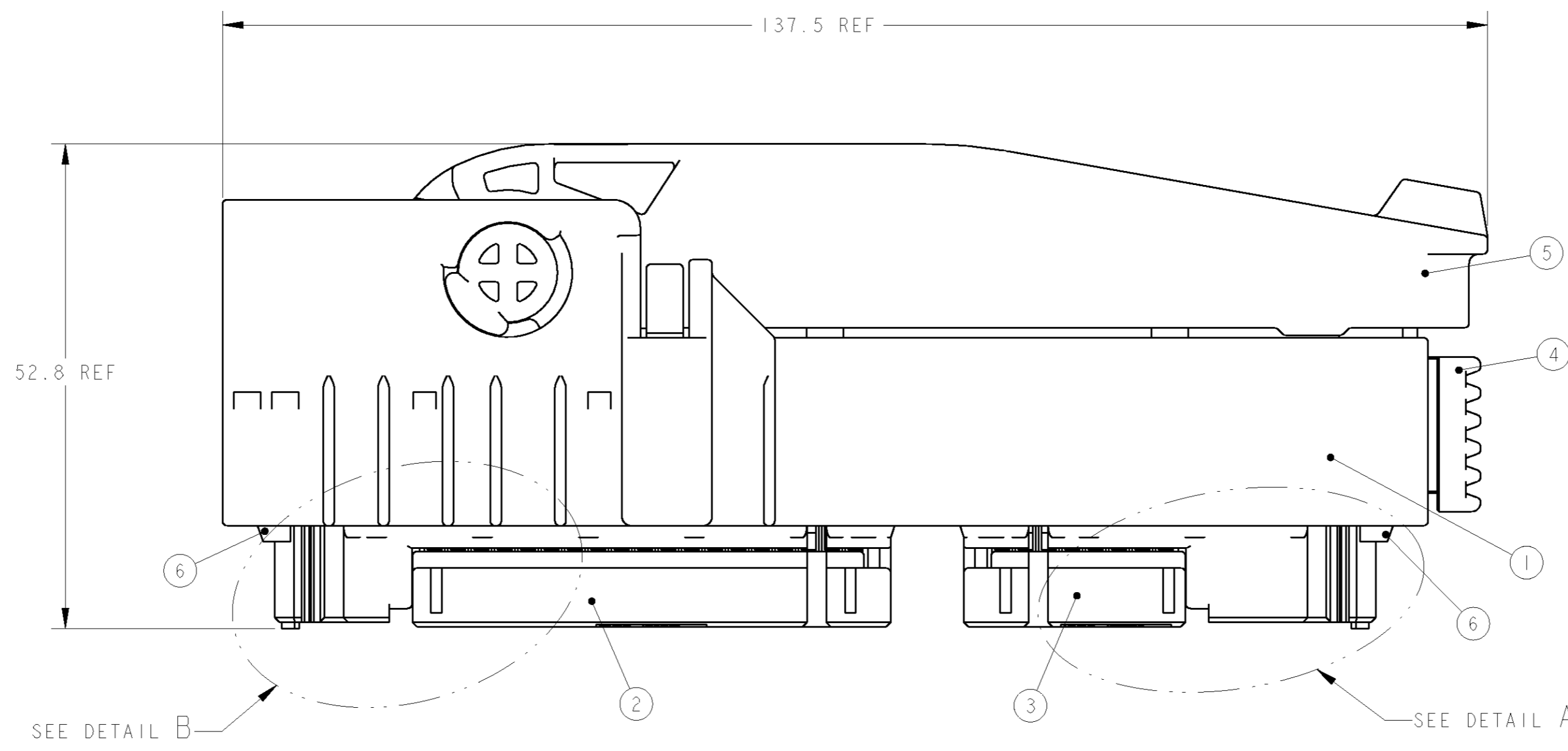


REV. LIST		REVISIONS				
NO.	DATE	DESCRIPTION	ECN	DATE	DWN	APVD
0		RELEASED	FJ00-2221-01	01APR02	YK	NS
A		REVISED	FJ00-1011-02	13MAY02	YK	NS



DETAIL B
SCALE 2:1

DETAIL A
SCALE 2:1



- PART NUMBER OF HARNESS COVER TO BE APPLIED ; P/N 1565422-1
 - APPLIED TERMINAL ; SEE TABLE-1
 - PART NUMBER OF CAP HOUSING TO BE MATED ; P/N 1241434-1
 - INSTRUCTION SHEET NO ; 411-78022
1. 適用ハーネスカバー型番は、P/N 1565422-1
 2. 適用端子はTABLE-1参照
 3. 嵌合相手型番は、P/N 1241434-1
 4. 取扱説明書 NO ; 411-78022

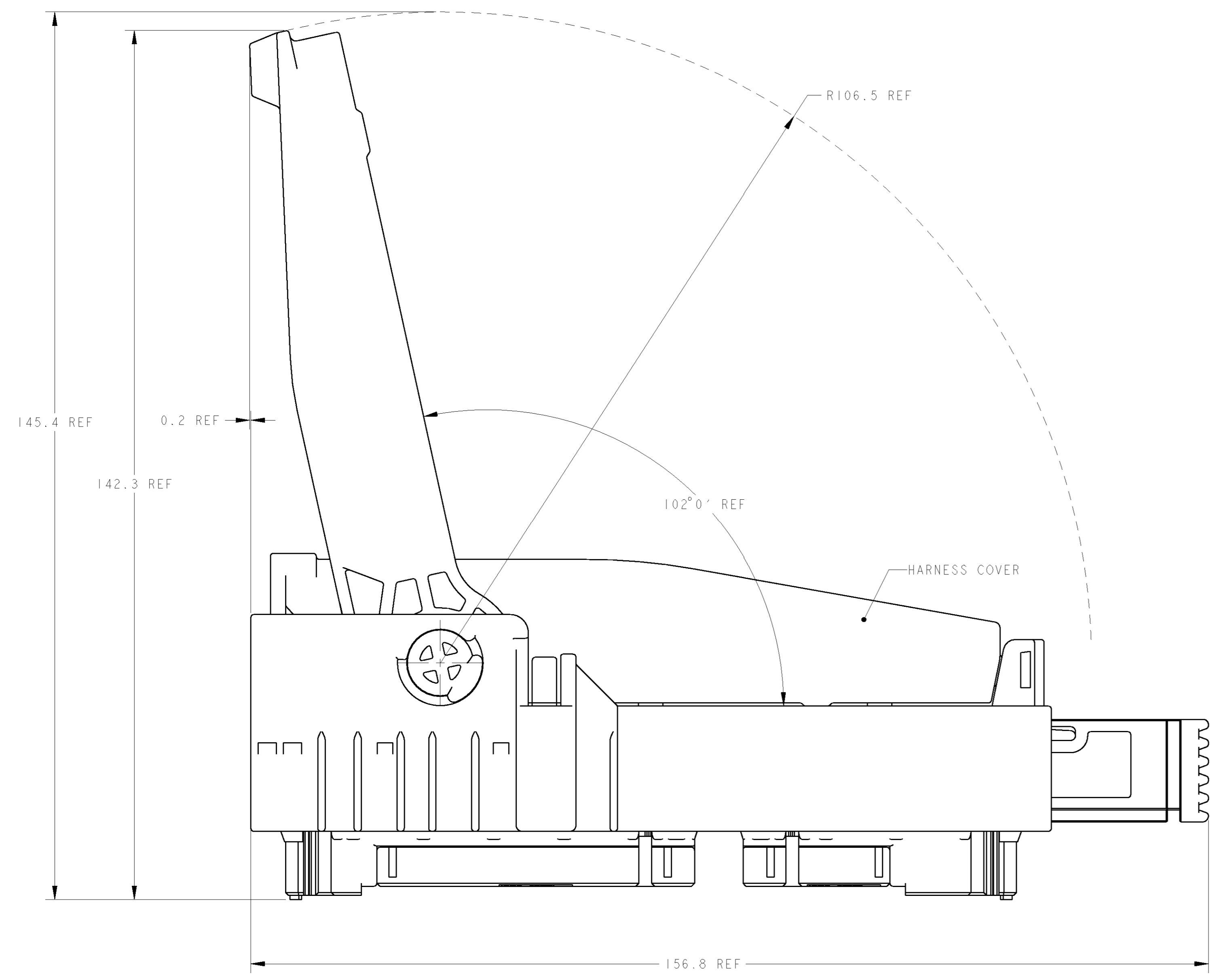
NO	PART NAME	COLOR	QTY
2	JPT RETAINER	YELLOW	6
1	LEVER	BLACK	5
1	SLIDER	BLACK	4
1	40P MOS RETAINER	GRAY	3
1	81P MOS RETAINER	GRAY	2
1	PLUG HSG	BLACK	1
1565416-1	PART NAME	COLOR	No

TABLE-1

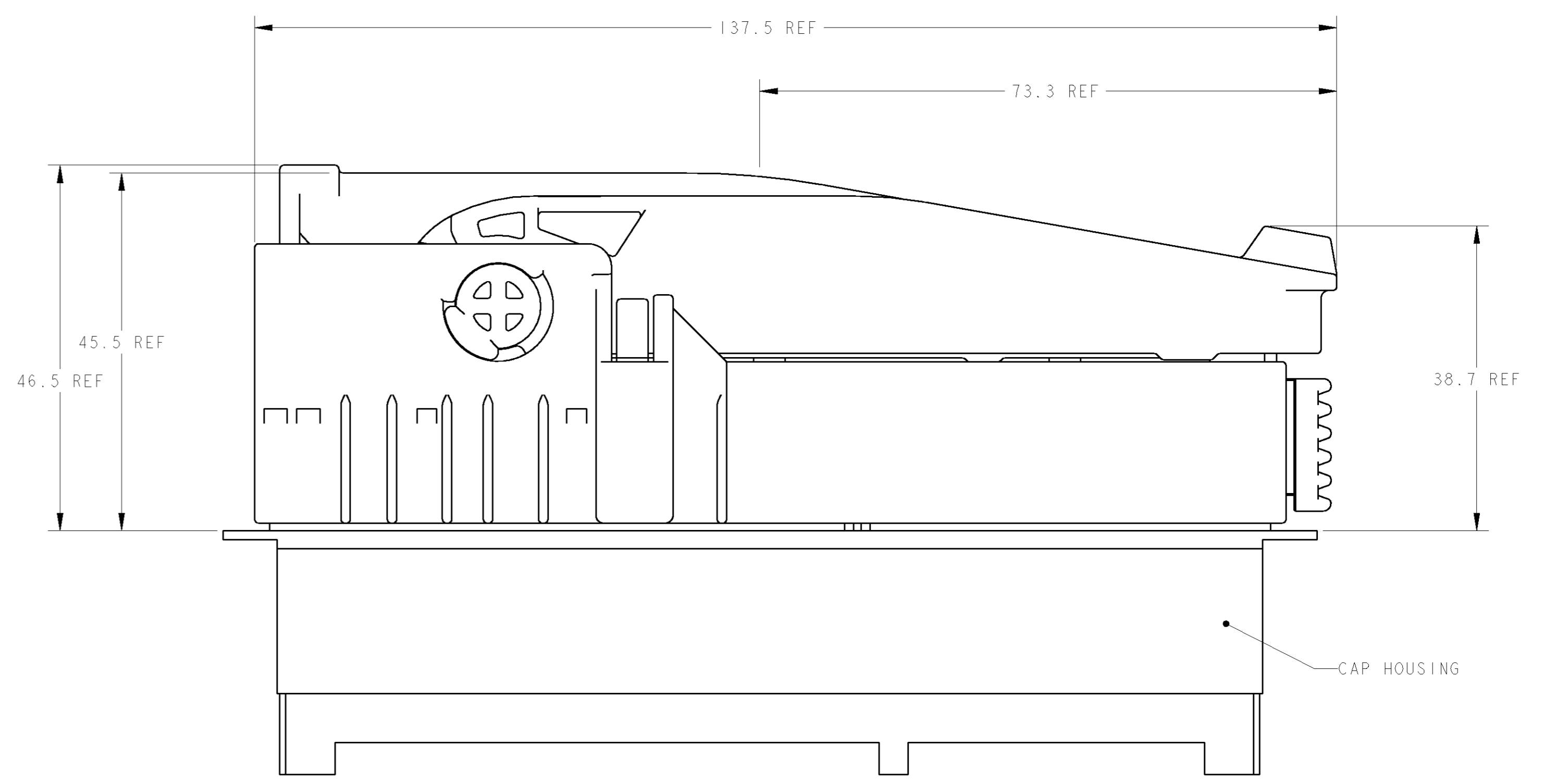
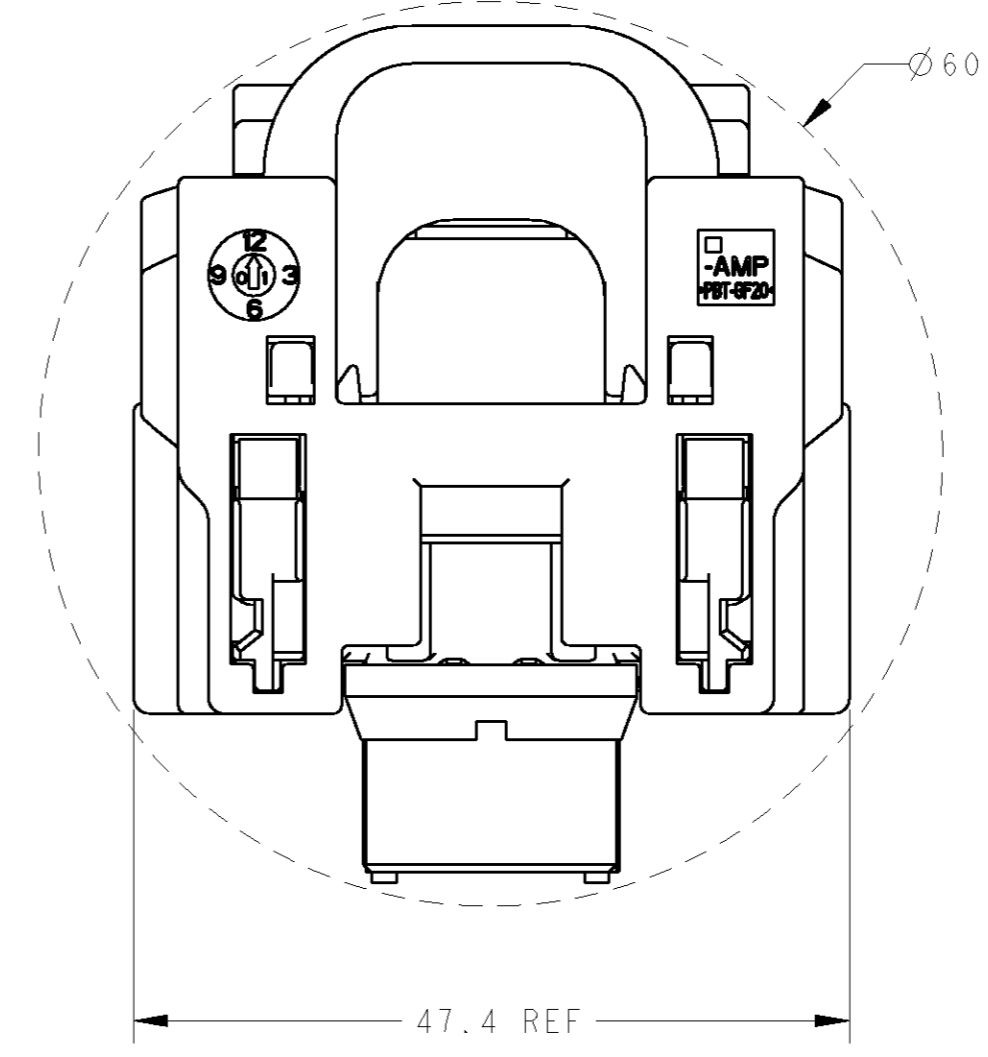
CONTACT	MOS	JPT
PART NUMBER	968220-1 968221-1	964284-2 965999-2
WIRE SIZE (mm ²)	0.2~0.5 0.75	0.5~1.0 >1.0~2.0

DIMENSIONS: mm		TOLERANCES UNLESS OTHERWISE SPECIFIED: mm: ±0.3		DWN: T. KAWAHARA CHK: T. KOHNO APVD: N. SAI		Tyco Electronics AMP K.K. Kawasaki, Japan	
MATERIAL: PBT		FINISH: SEE TABLE		PRODUCT SPEC: 108-5799 APPLICATION SPEC: 114-18021, 114-18050-1 WEIGHT: 117.4 g		SIZE: A1 CABE CODE: 00779 DRAWING NO: 1565416 RESTRICTED TO: A	
CUSTOMER DRAWING				SCALE: 2:1		SHEET 1 OF 2 REV A	

REV. LIST		REVISIONS			
NO.	DATE	DESCRIPTION	ECN	DATE	BY
1		SEE SHEET 1			



BEFORE MATING



AFTER MATING

- THIS DRAWING SHOWS ASSEMBLY CONDITION OF 1565416-1 AND 1565422-1(HARNESS COVER) AND IT IS DIFFER FROM SHIPPING CONDITION.
- 本図は、1565416-1に1565422-1(ハーネスカバー)をアッセンブルしたものであり、出荷形態とは異なる。

<small>THIS DRAWING IS UNPUBLISHED. RELEASED FOR PUBLICATION. THIS IS SUBJECT TO CHANGE FOR CORRECTION AND EXTENDING OR SHORTENING PERIODS OF CONTRACTS FOR THE LATEST POSITION.</small>		DWN: T. KAWAHARA CHK: T. KOHNO APVD: M. SAI	DTAPR02 DTAPR02 DTAPR02	tyco Electronics	Tyco Electronics AMP K.K. Kawasaki, Japan
DIMENSIONS: mm	TOLERANCES UNLESS OTHERWISE SPECIFIED: mm: ±0.3 1-PLC: ±0.5 2-PLC: ±0.13 3-PLC: ±0.013 4-PLC: ±0.001 ANGLES: ±0°00'	PRODUCT SPEC: 108-5799 APPLICATION SPEC: 114-1802J, 114-1805D-1 WEIGHT: 117.4 g	SIZE: A CAGE CODE: 00779 DRAWING NO: C=1565416	PLUG ASSY 121POS MOS CLEAN BODY/JPT	
MATERIAL: SEE SHEET 1 FINISH: SEE SHEET 1		CUSTOMER DRAWING		SCALE: 2:1	SHEET: 2 OF 2 REV: A