

2-1564559-4 ✓ ACTIVE

AMP | MCON Interconnection System

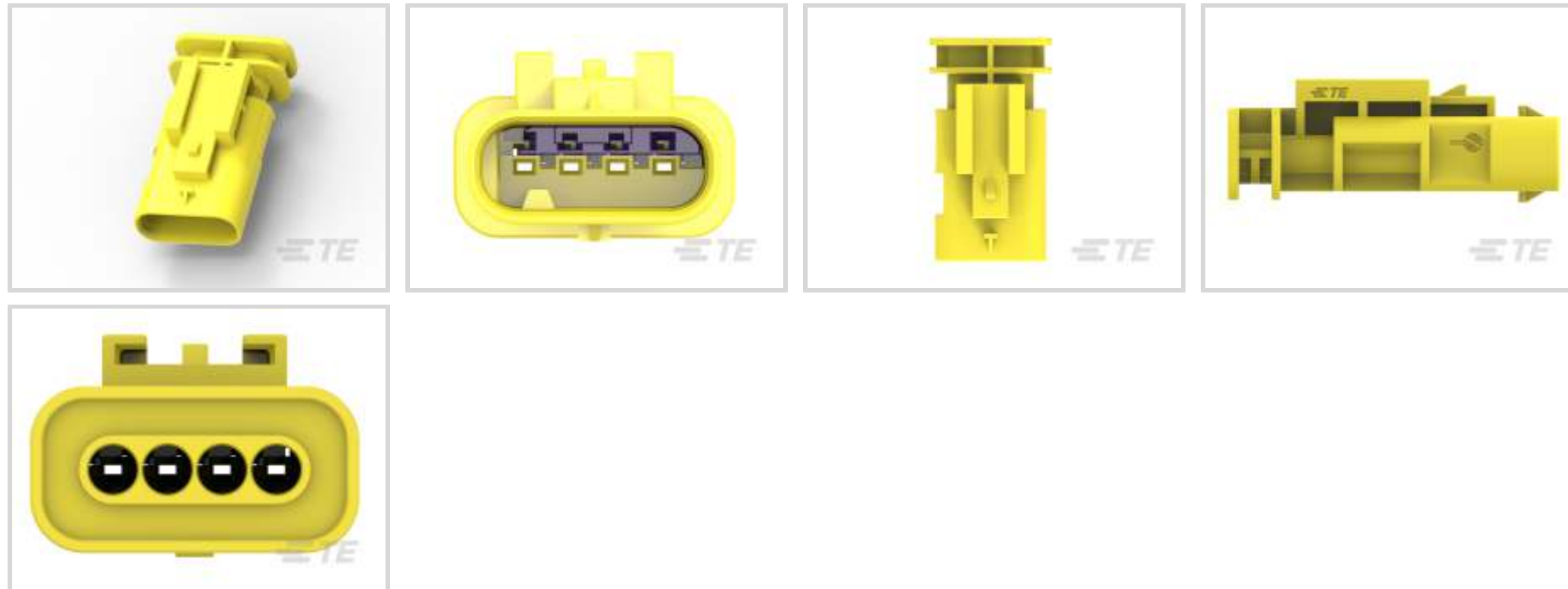
TE Internal #: 2-1564559-4

Housing for Male Terminals, Wire-to-Wire, 4 Position, .157 in [4 mm] Centerline, Sealable, Yellow, Wire & Cable, Power, MCON Interconnection System

[View on TE.com >](#)



Connectors > Automotive Connectors > Automotive Housings



Connector & Housing Type: **Housing for Male Terminals**

Connector System: **Wire-to-Wire**

Number of Positions: **4**

Centerline (Pitch): **4 mm [.157 in]**

Sealable: **Yes**

Features

Product Type Features

| | |
|-----------------------------------|----------------------------|
| Connector Shape | Rectangular |
| Connector & Housing Type | Housing for Male Terminals |
| Connector System | Wire-to-Wire |
| Sealable | Yes |
| Hybrid Connector | No |
| Primary Locking Feature | On the Terminal |
| Connector & Contact Terminates To | Wire & Cable |

Configuration Features

| | |
|---------------------|---|
| Number of Positions | 4 |
| Number of Rows | 1 |

Electrical Characteristics

| | |
|------------------------------|--------|
| Operating Voltage | 14 VDC |
| Nominal Voltage Architecture | 12 V |

Body Features



| | |
|-------------------------|--------|
| Cable Exit Angle | 180° |
| Primary Product Color | Yellow |
| Connector & Keying Code | B |

Contact Features

| | |
|------------------------------|-------|
| Contact Size | 1.2mm |
| Contact Type | Tab |
| Contact Current Rating (Max) | 25 A |

Mechanical Attachment

| | |
|-----------------------------|----------------------------|
| Terminal Position Assurance | Yes |
| Strain Relief | Without |
| Mating Alignment Type | Keyed |
| Mating Alignment | With |
| Connector Mounting Type | Cable Mount (Free-Hanging) |

Housing Features

| | |
|--------------------|----------------|
| Housing Material | PBT GF |
| Centerline (Pitch) | 4 mm [.157 in] |

Dimensions

| | |
|------------------|-------------------|
| Connector Height | 16.3 mm [.642 in] |
| Product Width | 44 mm [1.732 in] |
| Product Length | 24.2 mm [.953 in] |

Usage Conditions

| | |
|-----------------------------|--|
| Operating Temperature (Max) | 70 °C, 75 °C, 80 °C, 85 °C, 90 °C, 100 °C, 105 °C, 110 °C, 120 °C, 125 °C [158 °F][167 °F][176 °F][185 °F][194 °F][212 °F][221 °F][230 °F][248 °F][257 °F][266 °F] |
| Operating Temperature Range | -40 – 125 °C [-40 – 257 °F] |

Operation/Application

| | |
|---------------------|-------|
| Circuit Application | Power |
|---------------------|-------|

Packaging Features

| | |
|--------------------|-----|
| Packaging Quantity | 500 |
|--------------------|-----|

Other

| | |
|-------------|-----|
| Serviceable | Yes |
|-------------|-----|



Connector Position Assurance Capable

No

Product Compliance

[For compliance documentation, visit the product page on TE.com>](#)

| | |
|---|---|
| EU RoHS Directive 2011/65/EU | Compliant |
| EU ELV Directive 2000/53/EC | Compliant |
| China RoHS 2 Directive MIIT Order No 32, 2016 | No Restricted Materials Above Threshold |
| EU REACH Regulation (EC) No. 1907/2006 | Current ECHA Candidate List: JUNE 2023 (235) Candidate List Declared Against: JUNE 2023 (235) Does not contain REACH SVHC |
| Halogen Content | BFR/CFR/PVC Free, but Br/Cl >900 ppm in other sources. |
| Solder Process Capability | Not reviewed for solder process capability |

Product Compliance Disclaimer

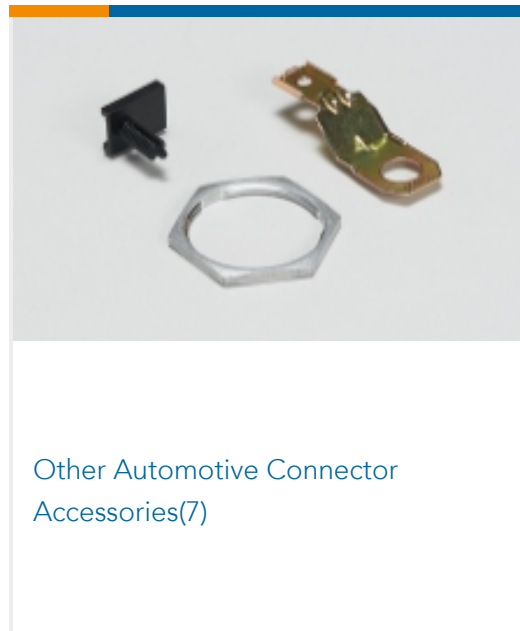
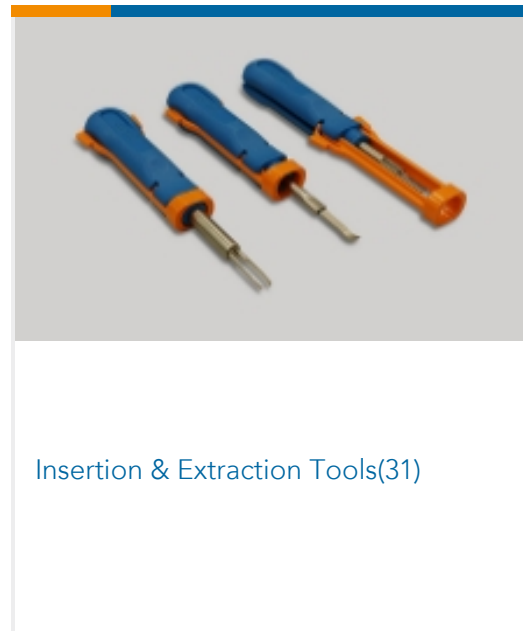
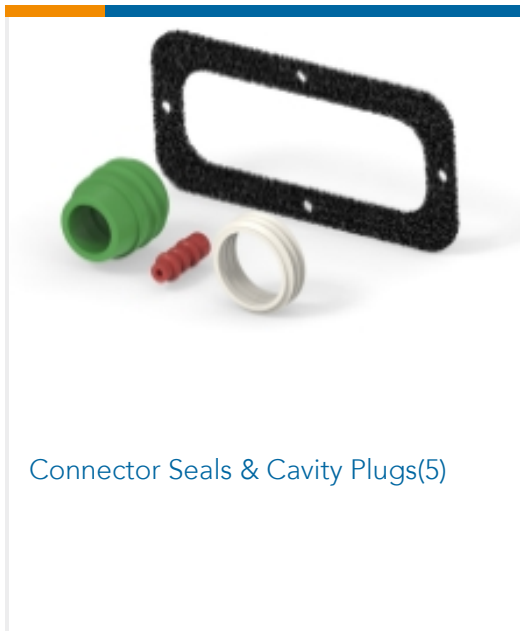
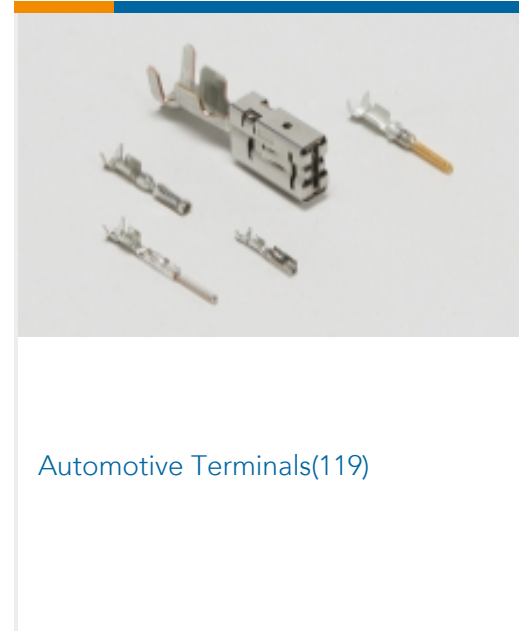
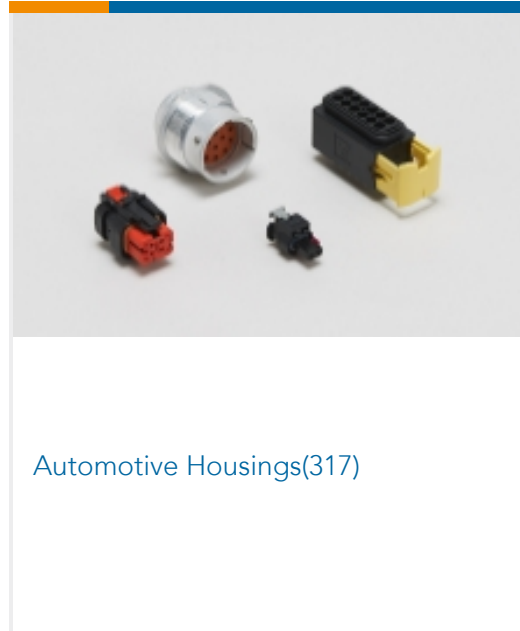
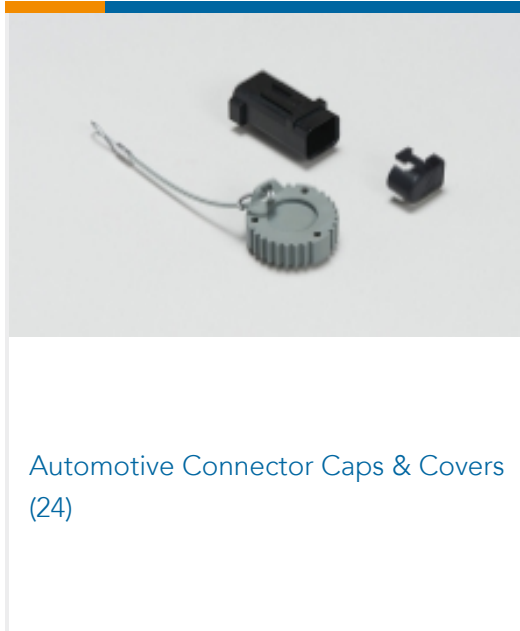
This information is provided based on reasonable inquiry of our suppliers and represents our current actual knowledge based on the information they provided. This information is subject to change. The part numbers that TE has identified as EU RoHS compliant have a maximum concentration of 0.1% by weight in homogenous materials for lead, hexavalent chromium, mercury, PBB, PBDE, DBP, BBP, DEHP, DIBP, and 0.01% for cadmium, or qualify for an exemption to these limits as defined in the Annexes of Directive 2011/65/EU (RoHS2). Finished electrical and electronic equipment products will be CE marked as required by Directive 2011/65/EU. Components may not be CE marked. Additionally, the part numbers that TE has identified as EU ELV compliant have a maximum concentration of 0.1% by weight in homogenous materials for lead, hexavalent chromium, and mercury, and 0.01% for cadmium, or qualify for an exemption to these limits as defined in the Annexes of Directive 2000/53/EC (ELV). Regarding the REACH Regulation, the information TE provides on SVHC in articles for this part number is based on the latest European Chemicals Agency (ECHA) 'Guidance on requirements for substances in articles' posted at this URL: <https://echa.europa.eu/guidance-documents/guidance-on-reach>

Compatible Parts

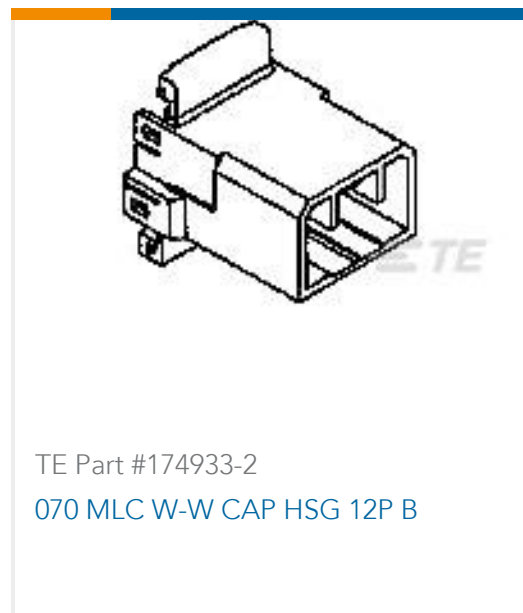
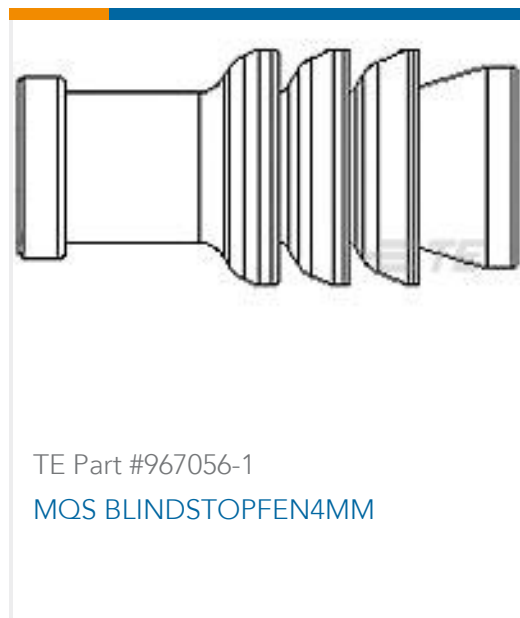
| | | | |
|---|---|---|---|
| <p>TE Part # 1-1670918-1 4POS, MCON 1.2 LL REC SEALED</p> | <p>TE Part # 967056-1 MQS BLINDSTOPFEN4MM</p> | <p>TE Part # 967067-1 MQS SGL WIRE SEAL</p> | <p>TE Part # 967067-2 MQS EINZELLEITDICHT</p> |
|---|---|---|---|

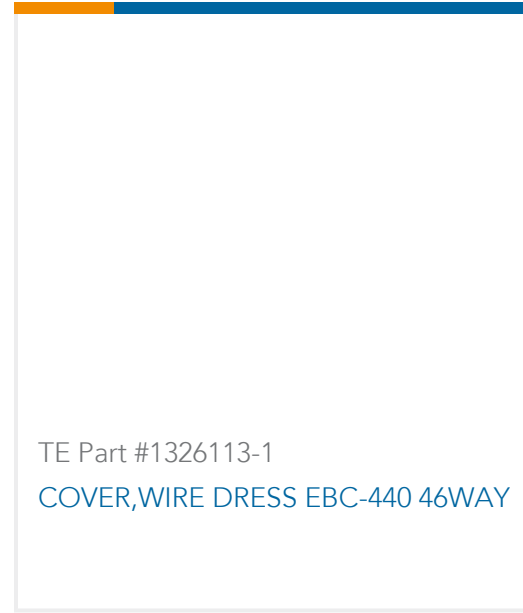


Also in the Series | MCON Interconnection System



Customers Also Bought





Documents

CAD Files

Customer View Model

[ENG_CVM_CVM_2-1564559-4_A.2d_dxf.zip](#)

English

3D PDF

3D

Customer View Model

[ENG_CVM_CVM_2-1564559-4_A.3d_igs.zip](#)

English

Customer View Model

[ENG_CVM_CVM_2-1564559-4_A.3d_stp.zip](#)

English

By downloading the CAD file I accept and agree to the [Terms and Conditions](#) of use.

Datasheets & Catalog Pages

MCON Interconnection System

English

Product Specifications

Product Specification

English