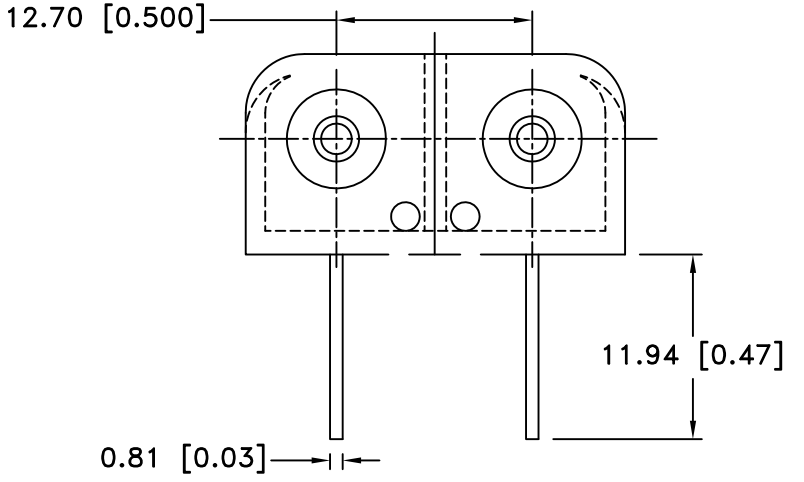
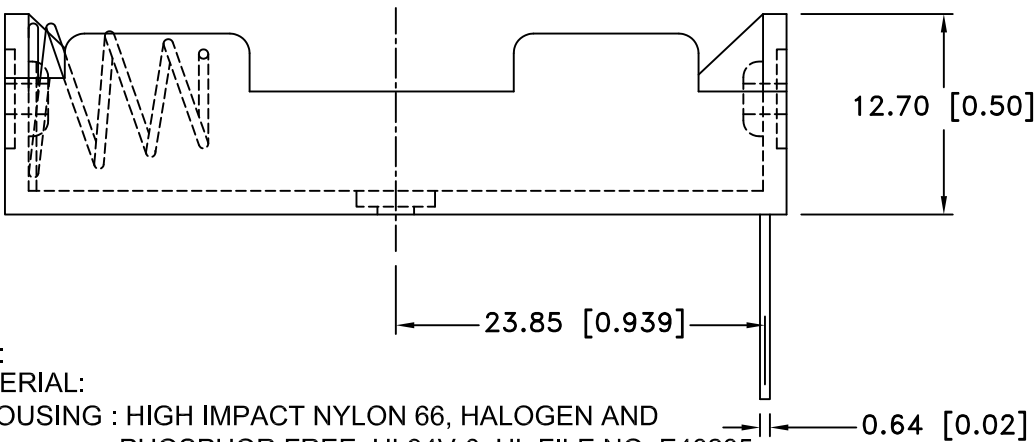
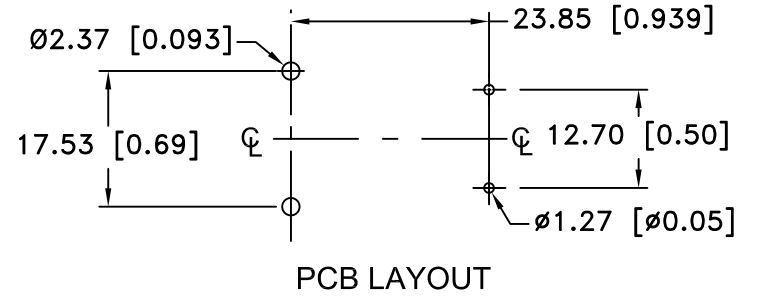
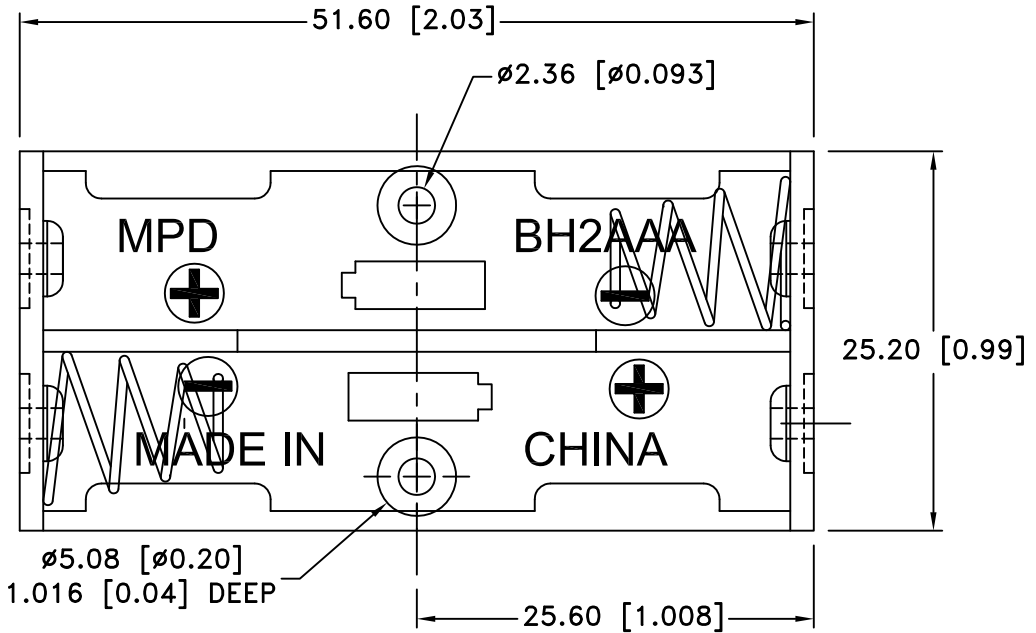



Date	SYM	REVISION RECORD	AUTH	DR.	CK.
03/15/13	D	UPATED TO ROHS 2 COMPLIANT	T.B.	B.S.	
06/14/13	E	UPATED TITLE	T.B.	B.S.	
05/26/17	F	UPDATED MATERIAL NOTES DIM. 51.60 WAS 51.21 DIM. 25.20 WAS 24.51 DIM. 12.70 WAS 12.45	T.B.	B.S.	



NOTES:
 1. MATERIAL:
 HOUSING : HIGH IMPACT NYLON 66, HALOGEN AND PHOSPHOR FREE, UL94V-0, UL FILE NO. E48285
 RIVETS: BRASS, NICKLE PLATED.
 SPRING: STEEL, NICKLE PLATED.
 PC PINS: STEEL, NICKEL PLATED.
 TEMPERATURE RANGE: -40°C TO +140°C
 RESISTANT TO SOLVENTS, COMMON OILS AND REFRIGERANTS
 ROHS 2 COMPLIANT

MOUNTING INSTRUCTION:
 USE 2-56 MACHINE SCREWS OR EYELETS 0.089" OD BY 0.15" FLANGE STIMPSON GS-3 SERIES OR EQUIVALENT. ALSO ADHESIVES AND DOUBLE SIDED TAPES WORK WELL.

Tolerance (Except as noted)	 Memory Protection Devices, Inc 200 Broad Hollow Road, Farmingdale, New York 11735	Scale	Drawn By B.S.
			Approved By T.B.
decimal $\pm .5$ (.020)	Title TWO "AAA" CELL HOLDER WITH PC PINS	Date 05/26/17	
Fractional $\pm .8$ (.030)		Drawing Number BH2AAAPC	
Angular $\pm 3^\circ$			