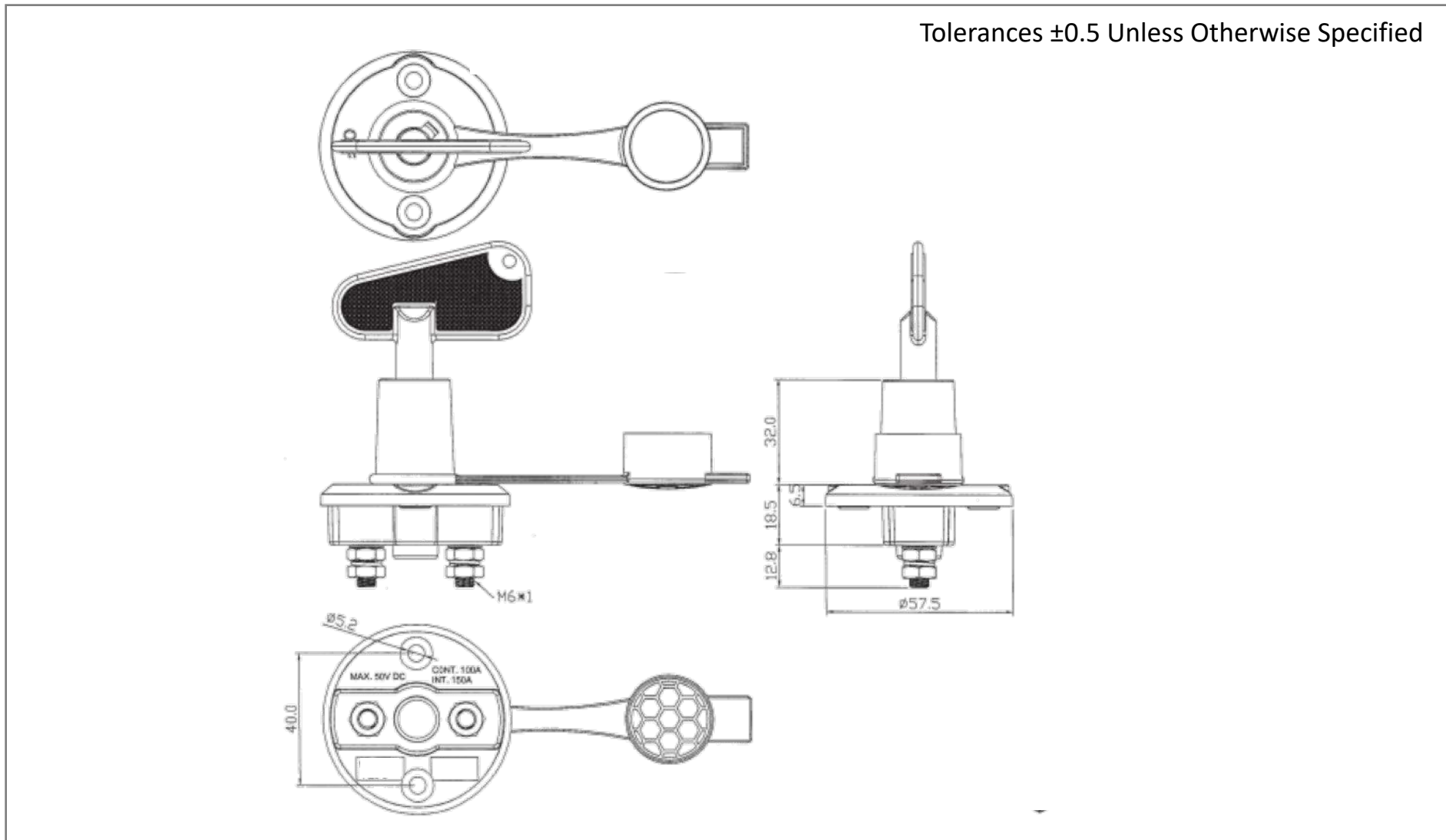
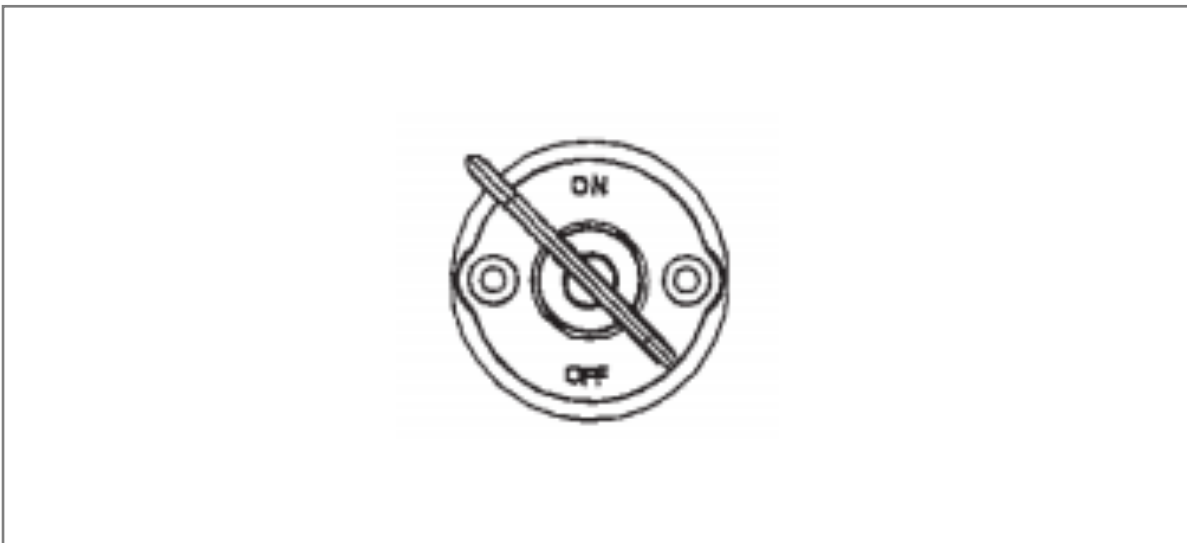


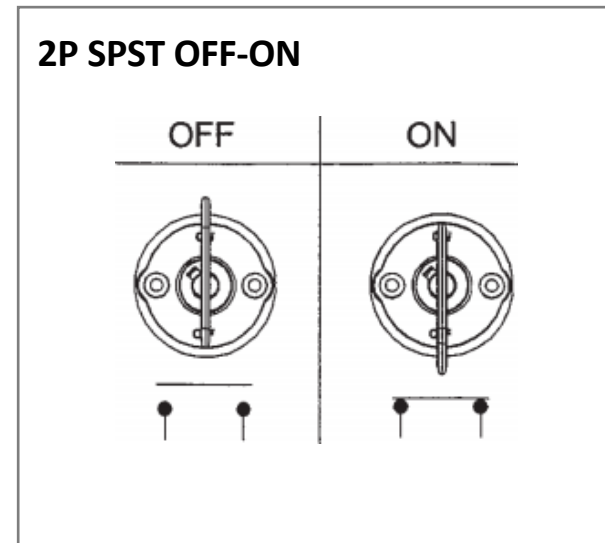
**Mechanical Dimensions (mm)**



**Mounting Hole**



**Circuit Diagram**



**Electrical Specifications**

<b>Rating</b>	100A 12-50V DC max	CE TÜV
<b>Intermittent Rating</b>	150A	
<b>Cracking Rating</b>	500 Amps	
<b>Insulation Resistance</b>	DC 500V 100M ohm Min.	
<b>Dielectric Strength</b>	DC 2000 / AC 1000V 1 minute	

**Material Specifications**

<b>Housing</b>	Black, PBT+15%GF w. White painting
<b>Actuator</b>	Red, PA#66+33%GF
<b>Bottom</b>	Black, PBT+15%GF
<b>Bolt</b>	Brass
<b>Hex Nut</b>	Nickel plated brass