

10 9 8 7 6 5 4 3 2 1

F

E

D

C

B

A

F

E

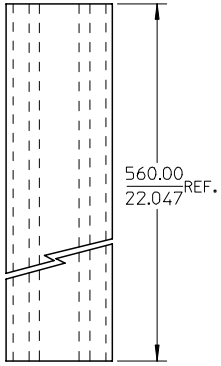
D

C

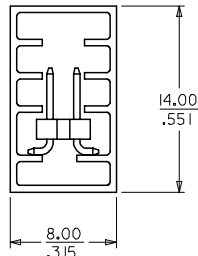
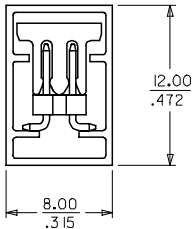
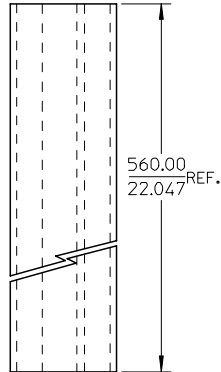
B

A

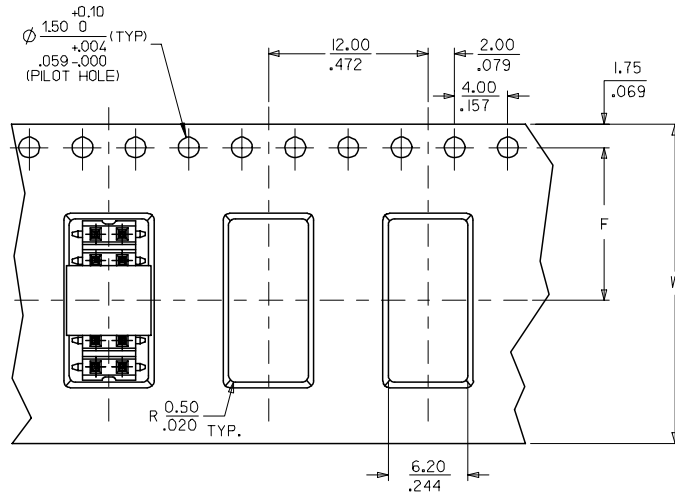
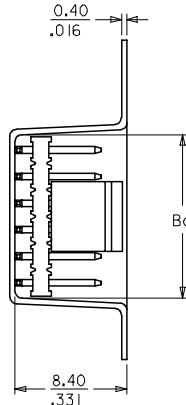
WITH CAP
TUBE PACKAGING



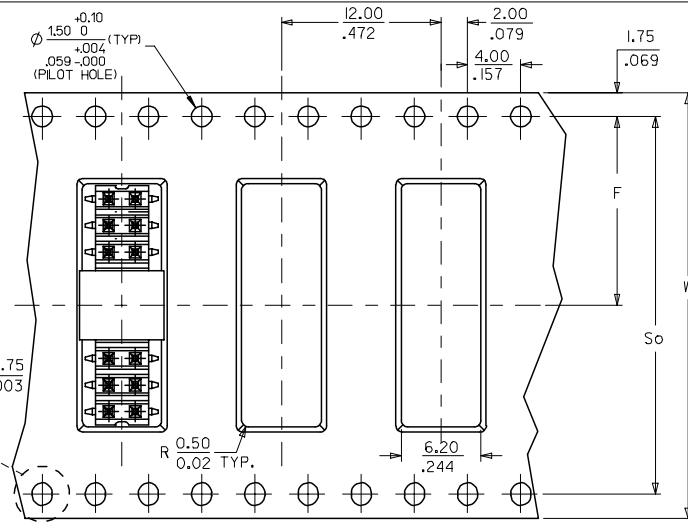
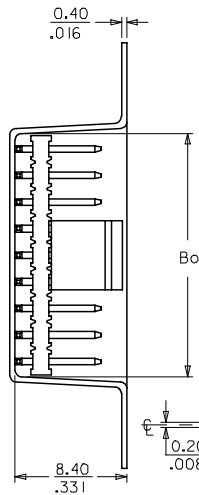
WITHOUT CAP
TUBE PACKAGING



EMBOSSED CARRIER TAPE TYPE "A"



EMBOSSED CARRIER TAPE TYPE "B"



UPDATE REVISION	DESCRIPTION
EC NO: S2005-0714	2005/10/19
DRWN:KSEE	2005/10/19
CHKD:BLHOW	2005/10/19
APPR:PTLIM	2005/10/28
A7	REV

QUALITY SYMBOLS	▽=0
	∇=0

GENERAL TOLERANCES (UNLESS SPECIFIED)	
mm	INCH
4 PLACES ±---	±---
3 PLACES ±---	±.008
2 PLACES ±0.2	±---
1 PLACE ±---	±---
ANGULAR ±---°	
DRAFT WHERE APPLICABLE MUST REMAIN WITHIN DIMENSIONS	

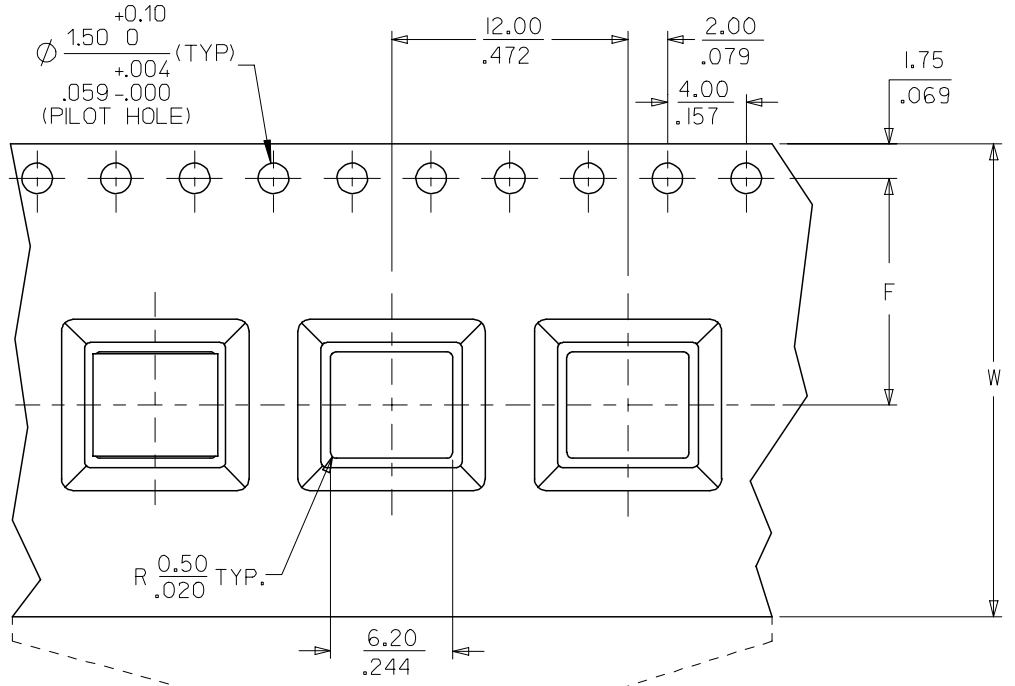
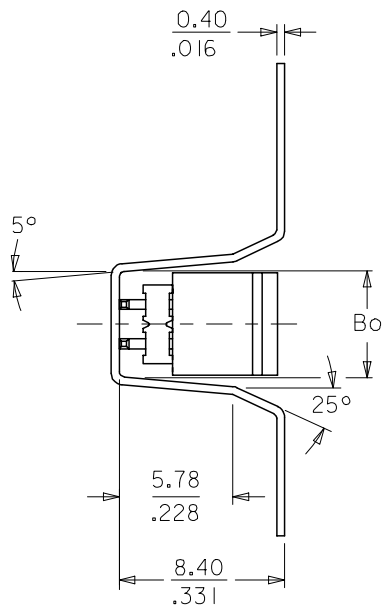
DIMENSION STYLE	
MM/IN	
DRAWN BY	DATE
JWAN	1995/04/24
CHECKED BY	DATE
SKTOH	1995/04/26
APPROVED BY	DATE
ROY	1995/04/27
MATERIAL NO.	DOCUMENT NO.
SEE TABLE	SD-87267-***4
SIZE	A3

SCALE	DESIGN UNITS	THIRD ANGLE PROJECTION
NTS	METRIC	
SALES DRAWING		
MGRID, 2MM DUAL ROW HDR. SMT		
MOLEX INCORPORATED		
SHEET NO.		3 OF 4
THIS DRAWING CONTAINS INFORMATION THAT IS PROPRIETARY TO MOLEX INCORPORATED AND SHOULD NOT BE USED WITHOUT WRITTEN PERMISSION		

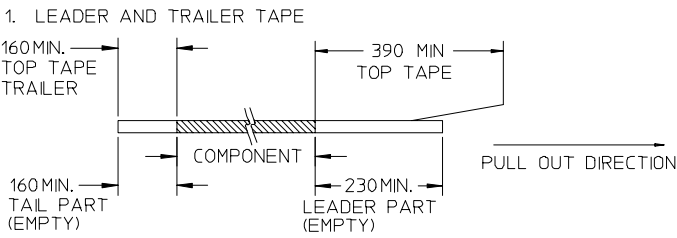
9 8 7 6 5 4 3 2 1

EMBOSSED CARRIER TAPE TYPE "C"

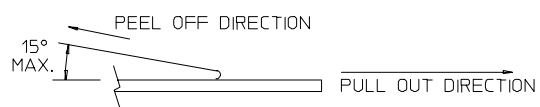
THIS TYPE OF CARRIER IS F R CKTOSIZE 8 AND BELOW.



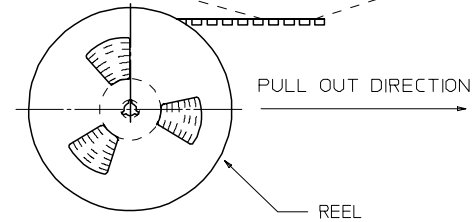
NOTES:



2. PEELING OFF FORCE OF THE TOP TAPE: 20-80gf.
(PEELING DIRECTION AS SHOWN IN FOLLOWING FIGURE)



3. PACKAGING STANDARD IS AS PER EIA-481.
4. TAPE & REEL QUANTITY = SEE TABLE



TAPE AND REEL ORIENTATION

ADD LEADER & TRAILER EC NO: S2005-0714 DRWN:KSEE CHKD:BLW APPR:PTL/IM	2005/10/19 2005/10/19 2005/11/05	DESCRIPTION REV	QUALITY SYMBOLS	GENERAL TOLERANCES (UNLESS SPECIFIED)	DIMENSION STYLE	SCALE	DESIGN UNITS	THIRD ANGLE PROJECTION
			$\nabla=0$ $\nabla C=0$	mm INCH 4 PLACES ± --- ± --- 3 PLACES ± --- ± .008 2 PLACES ± 0.2 ± --- 1 PLACE ± --- ± --- ANGULAR ± ---°	MM/IN DRAWN BY DATE SEE 1995/09/12 CHECKED BY DATE GMS 1995/11/03 APPROVED BY DATE ROY 1995/11/03	NTS METRIC	□	TITLE SALES DRAWING MGRID, 2MM DUAL ROW HDR. SMT
			DRAFT WHERE APPLICABLE MUST REMAIN WITHIN DIMENSIONS	MATERIAL NO. SEE TABLE	DOCUMENT NO. SD-87267-***4	SHEET NO. 4 OF 4		
			THIS DRAWING CONTAINS INFORMATION THAT IS PROPRIETARY TO MOLEX INCORPORATED AND SHOULD NOT BE USED WITHOUT WRITTEN PERMISSION					