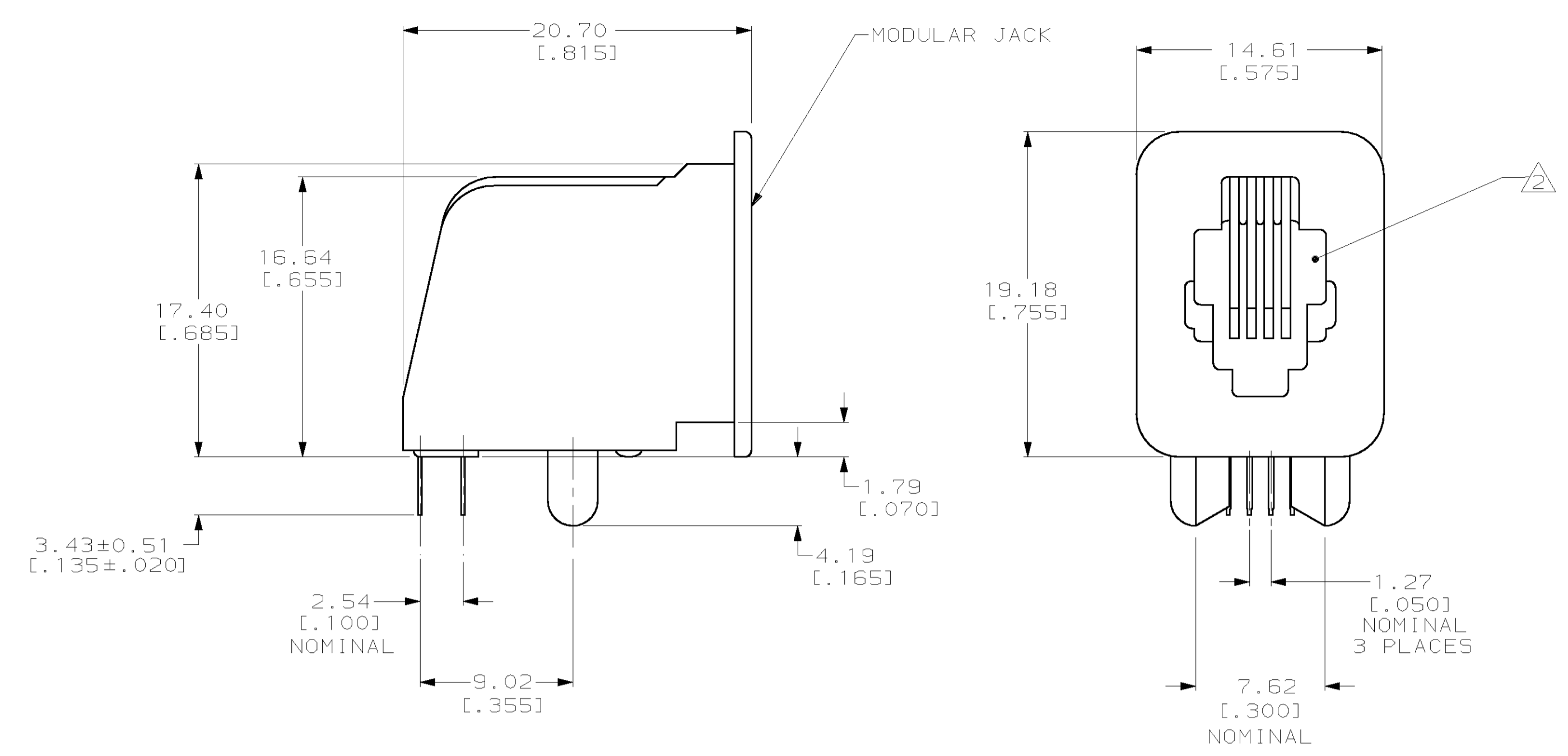
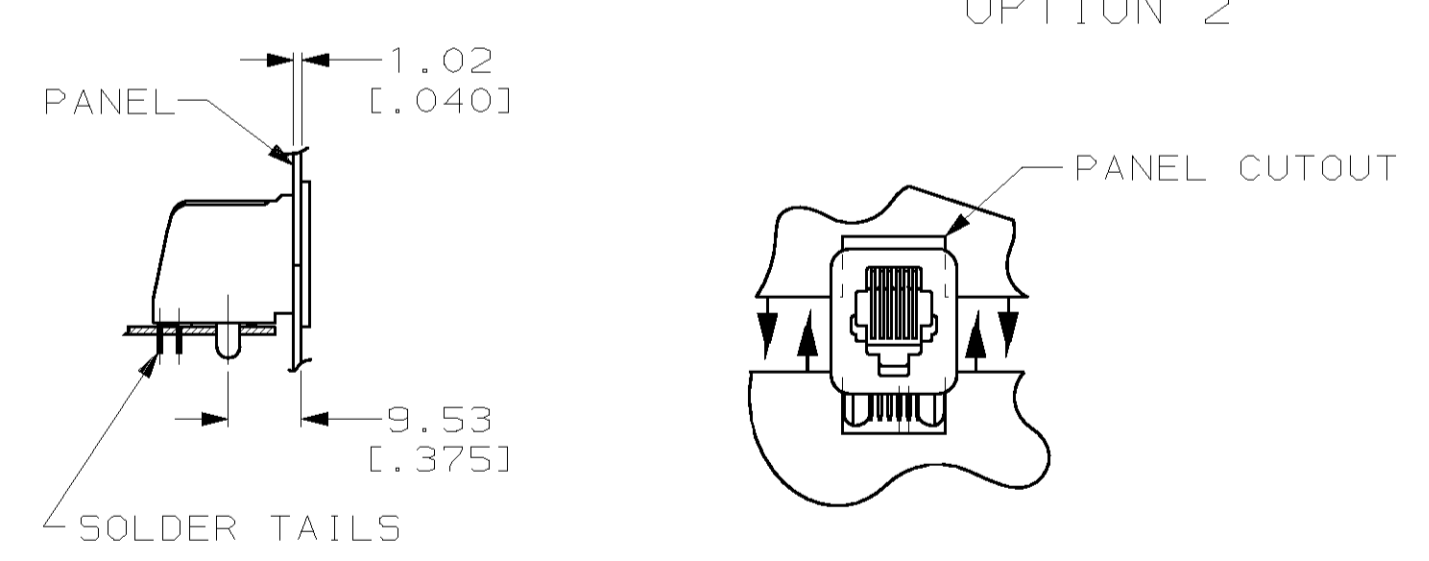
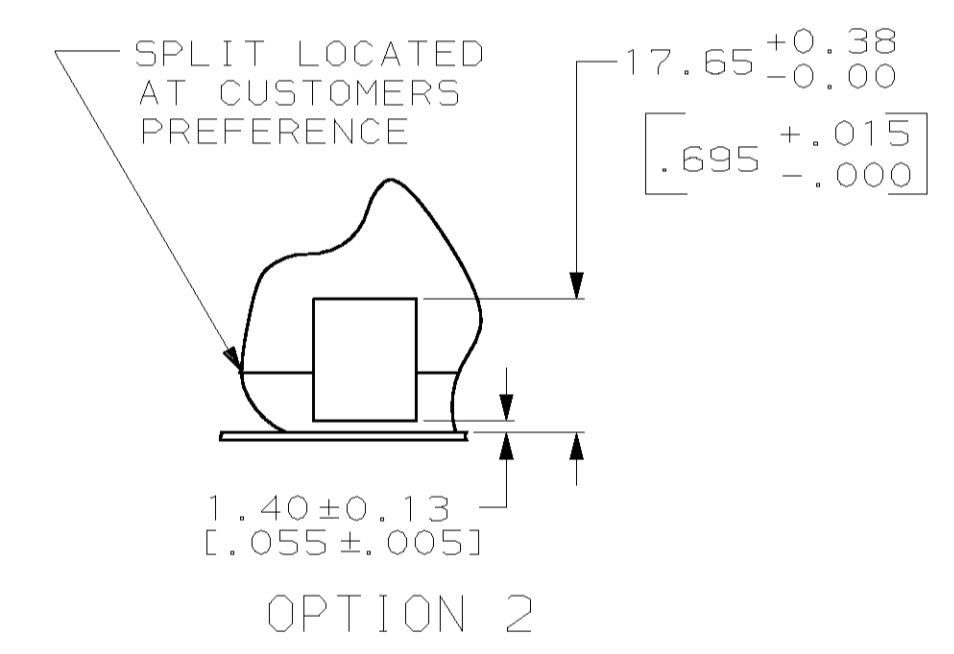
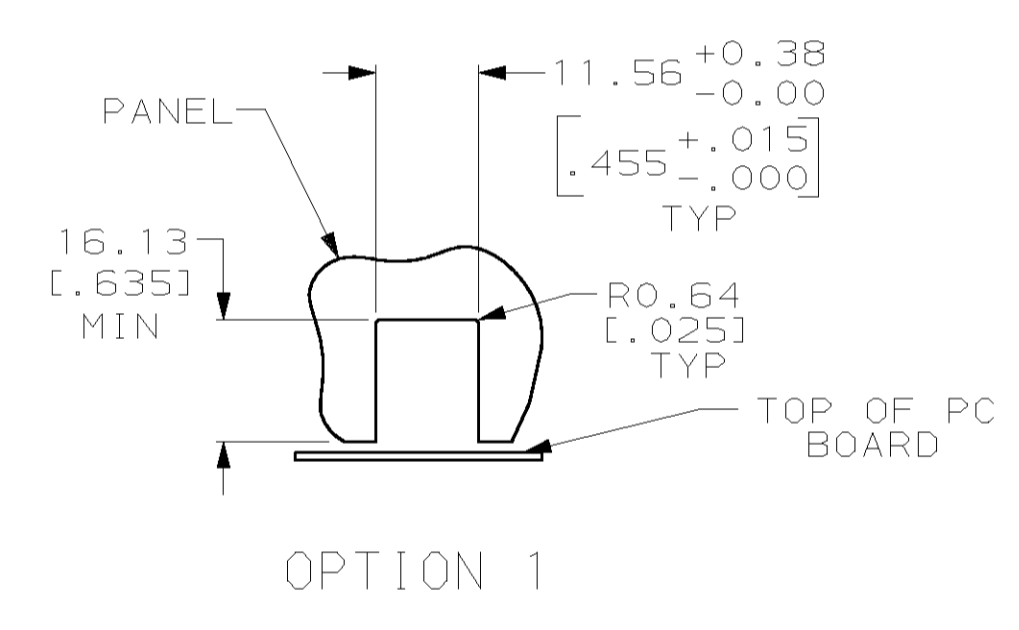
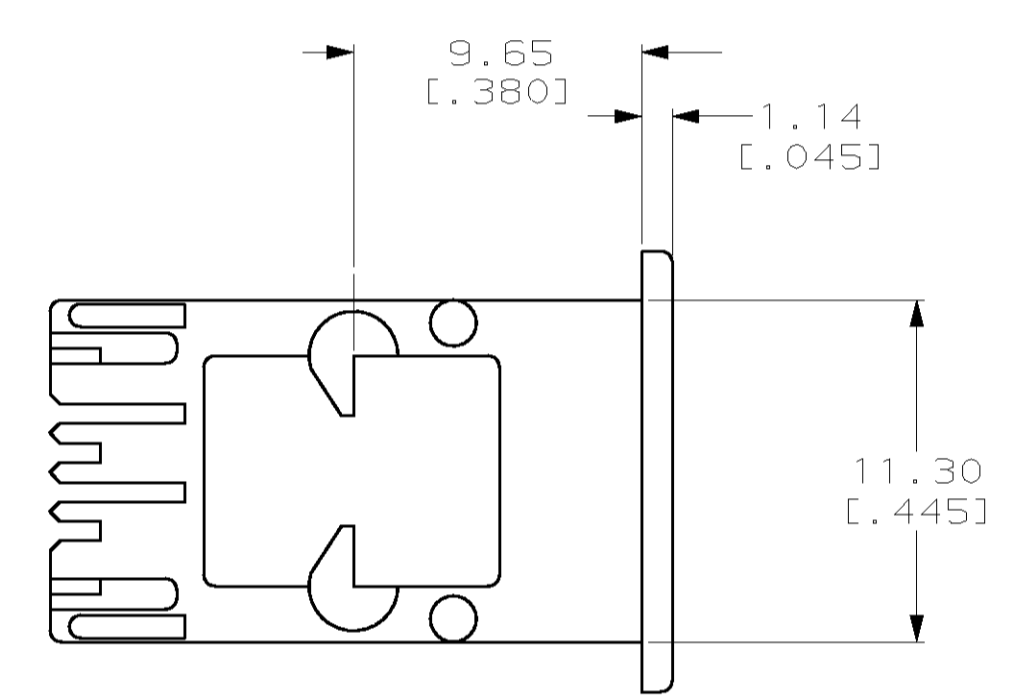


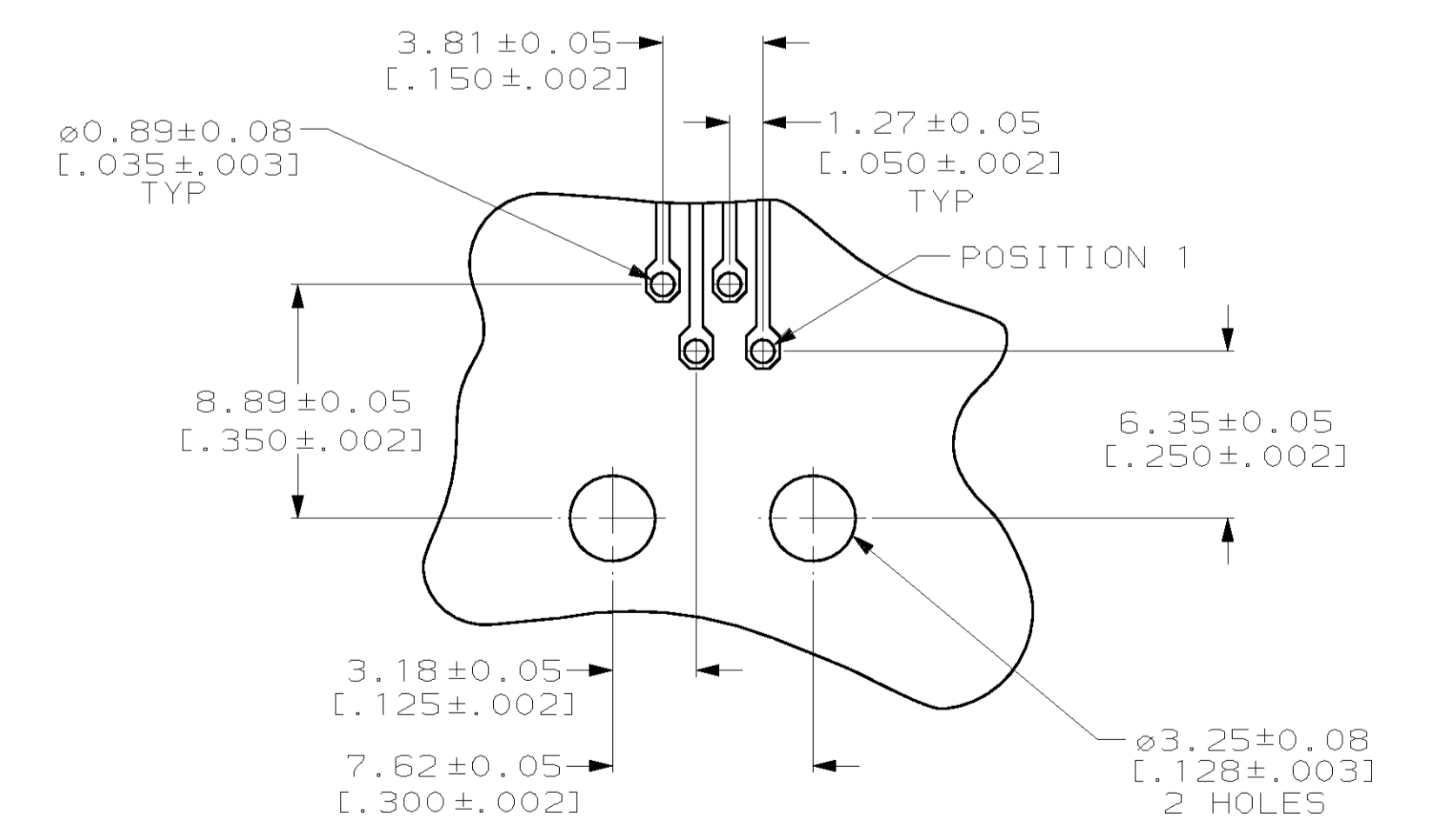
LOC	DIST	REVISIONS			
F	CHR	DESCRIPTION	DATE	DWN	APVD
E		REVISED, EC 0210-0051-94	10MAR94	KT	NJ



- 1 MATERIAL: HOUSING - PBT POLYESTER (BLACK).
 TERMINAL - 0.35 [0.0138] THICK PHOS-BRONZE PLATED WITH 0.0013 [0.00005] THICK HARD GOLD IN LOCALIZED GOLD PLATE AREA AND 0.0020 [0.00008] THICK TIN-LEAD IN SOLDER AREA OVER 0.0013 [0.00005] THICK NICKEL UNDERPLATE.
- 2 CAVITY CONFORMS TO FCC RULES AND REGULATIONS PART 68 AND REA BULLETIN 345-81, PE-76 SPECIFICATION FOR MODULAR TELEPHONE HARDWARE.
- 3. ALL DIMENSIONS ARE MAXIMUM UNLESS OTHERWISE SPECIFIED.



SUGGESTED PANEL CUTOUT GUIDELINES
 SCALE 1:1



SUGGESTED PRINTED CIRCUIT BOARD LAYOUT
 (VIEW SHOWN IS CIRCUIT SIDE OF BOARD)

520241-2
 PART NUMBER

THIS DRAWING IS A CONTROLLED DOCUMENT.		DWN: K. TILLMAN/UTA 10 MAR 94	AMP Incorporated
		CHK: N. JONES 01 APR 94	Harrisburg, PA 17105-3608
		APVD: J. TONEY 01 APR 94	NAME: PRINTED CIRCUIT BOARD MODULAR JACK ASSEMBLY, SIDE ENTRY, 4 POSITION, FLANGED
DIMENSIONS: mm [INCHES]		PRODUCT SPEC: 108-1163	SIZE: 114-2048
TOLERANCES UNLESS OTHERWISE SPECIFIED:		APPLICATION SPEC: 114-2048	RESTRICTED TO: -
0 PLC ±		WEIGHT: -	A1 00779 520241
1 PLC ±		CUSTOMER DRAWING	SCALE: 4:1 SHEET 1 OF 1 REV E
2 PLC ±			
3 PLC ±			
4 PLC ±			
ANGLES ±			
FINISH			