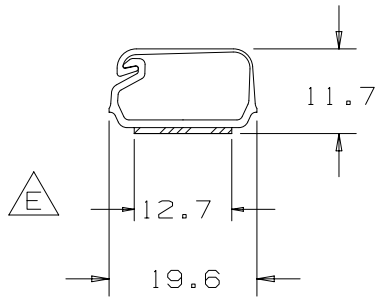


THIS COPY IS PROVIDED ON A RESTRICTED BASIS AND IS NOT TO BE USED IN ANY WAY DETRIMENTAL TO THE INTERESTS OF PANDUIT CORP.

OPEN VIEW



← ADHESIVE BACKING  
PRESSURE SENSITIVE  
FOAM 1.0 THICK WITH  
PROTECTIVE LINER.



PART NAME	PANDUIT PART NUMBER (SEE NOTE 1)	LENGTH m	STATIC LOAD (SEE NOTE 2)	APPROX. WEIGHT
LATCHING DUCT	LD3**2-A	2.0±3.3mm	5.4 kg/m	.067 kg/m
	LD3**3-A	3.0±3.3mm	5.4 kg/m	.067 kg/m

- NOTES:**
- SEE CURRENT CATALOG FOR ADDITIONAL PART NUMBER SUFFIXES TO INDICATE COLOR AND OR PACKAGE QUANTITY.
  - PART IS DESIGNED TO SUPPORT MAXIMUM WEIGHT ON A CLEAN, DRY, SMOOTH SURFACE. THE SURFACE MUST BE PROPERLY PREPARED IN ACCORDANCE WITH PANDUIT RECOMMENDATIONS.
  - TO APPLY PART:
    - REMOVE PROTECTIVE LINER.
    - PLACE PART IN DESIRED LOCATION.
    - APPLY PRESSURE TO FLAT SURFACE OF PART.

NO WARRANTY, EXPRESSED OR IMPLIED, IS MADE BY PANDUIT WITH RESPECT TO ADHESIVE BOND PERFORMANCE. AMONG OTHER THINGS, THE CONDITIONS UNDER WHICH THESE MOUNTS MAY BE APPLIED AND/OR THE SURFACE TO WHICH THEY MAY BE APPLIED ARE BEYOND PANDUIT'S CONTROL.

ALL DIMENSIONS ARE IN MILLIMETERS EXCEPT WHERE NOTED.

						TITLE		LATCHING DUCT (LD3) METRIC			
								CUSTOMER DRAWING			
						ITEM REVISION NAME		D34078BA/03			
						DATASET FILE NAME		D34078BA_LD3_METRIC/03A			
						UNLESS OTHERWISE SPECIFIED, DIMENSIONAL TOLERANCES ARE: IN (mm)					
						.x ± .xx ± .03 (0.8)					
						ANGLES ±		PVC			
						DRAWING NUMBER:		34078-31			
03A	11-06-19	BSN	BETL	ELN	F. UPDATED LENGTH TOLERANCE TO MATCH CONTROL DWG	34078-31			THIRD ANGLE PROJECTION		
REV	DATE	BY	CHK	APR	DESCRIPTION	ECN	DRAWN BY	DATE	CHK	SCALE	SHT 1 OF 1
							L. BENTZ	09-03-88	WJB	FULL	A