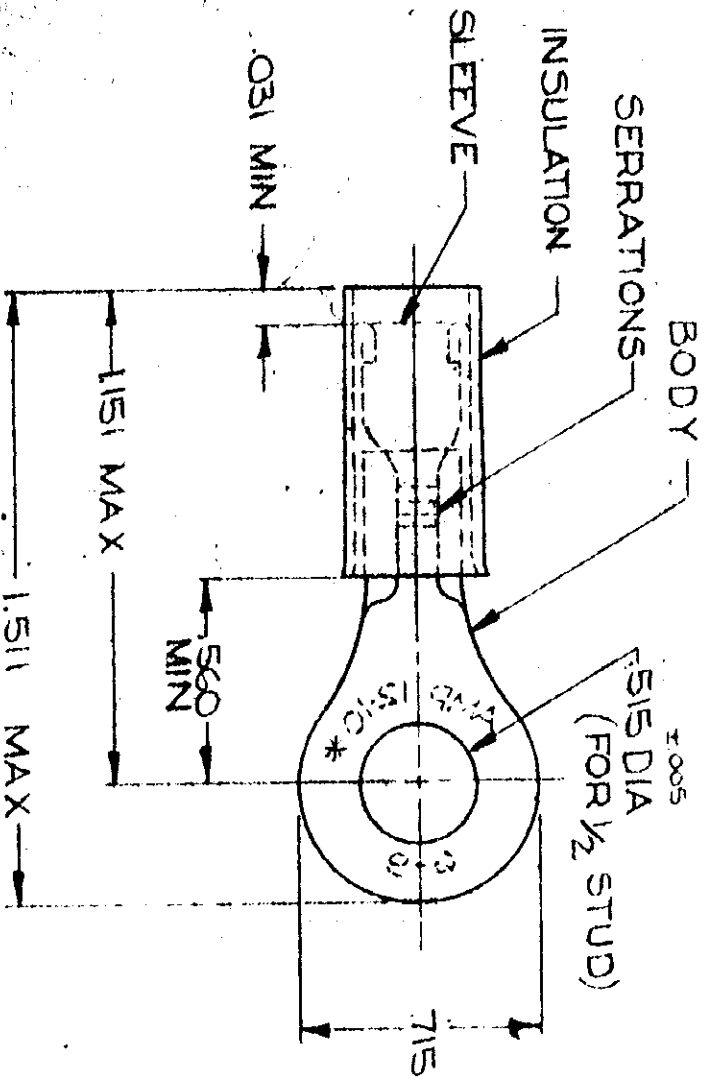


DRAWING MADE IN AMERICAN PROJECTION

LOC 6  
PRINT DIST 14  
5

©1964 BY AMP INCORPORATED. ALL RIGHTS RESERVED. AMP PRODUCTS COVERED BY PATENTS AND/OR PATENTS PENDING.

REVISIONS			
LTR	DESCRIPTION	DATE	APPROVED
3	REDRAWN & REV.	8-6-30	FCY



RETURN TO FILE

FOR 150 TO 230 WIRE INSULATION DIA.  
TONGUE MATERIAL THK. = .040 ±.002

QTY	DESCRIPTION	PART NO.	MATERIAL & FINISH
1	WIRE TERMINAL	331467	BODY & SLEEVE: COPPER (QQ-C-576) TIN PL (MIL-T-10727) INSULATION: NYLON (MIL-M-20893) TYPE I COLOR: YELLOW

UNLESS OTHERWISE SPECIFIED DIMENSIONS ARE IN INCHES  
TOLERANCES ON DECIMALS ±.008  
ANGLES ±.5°

CONTRACT NO. 331467  
DR: [Signature]  
CHK: [Signature]  
APPD: [Signature]  
REL: [Signature]

AMP INCORPORATED  
HARRISBURG, PENNSYLVANIA  
NAME: WIRE TERMINAL  
P.I.D.S.-RING TONGUE  
WIRE SIZE: 12-10

SEE TABLE

OTHER APPD

SCALE: A  
CODE IDENT NO. 00779  
NUMBER 331467  
SHEET 1 OF 1