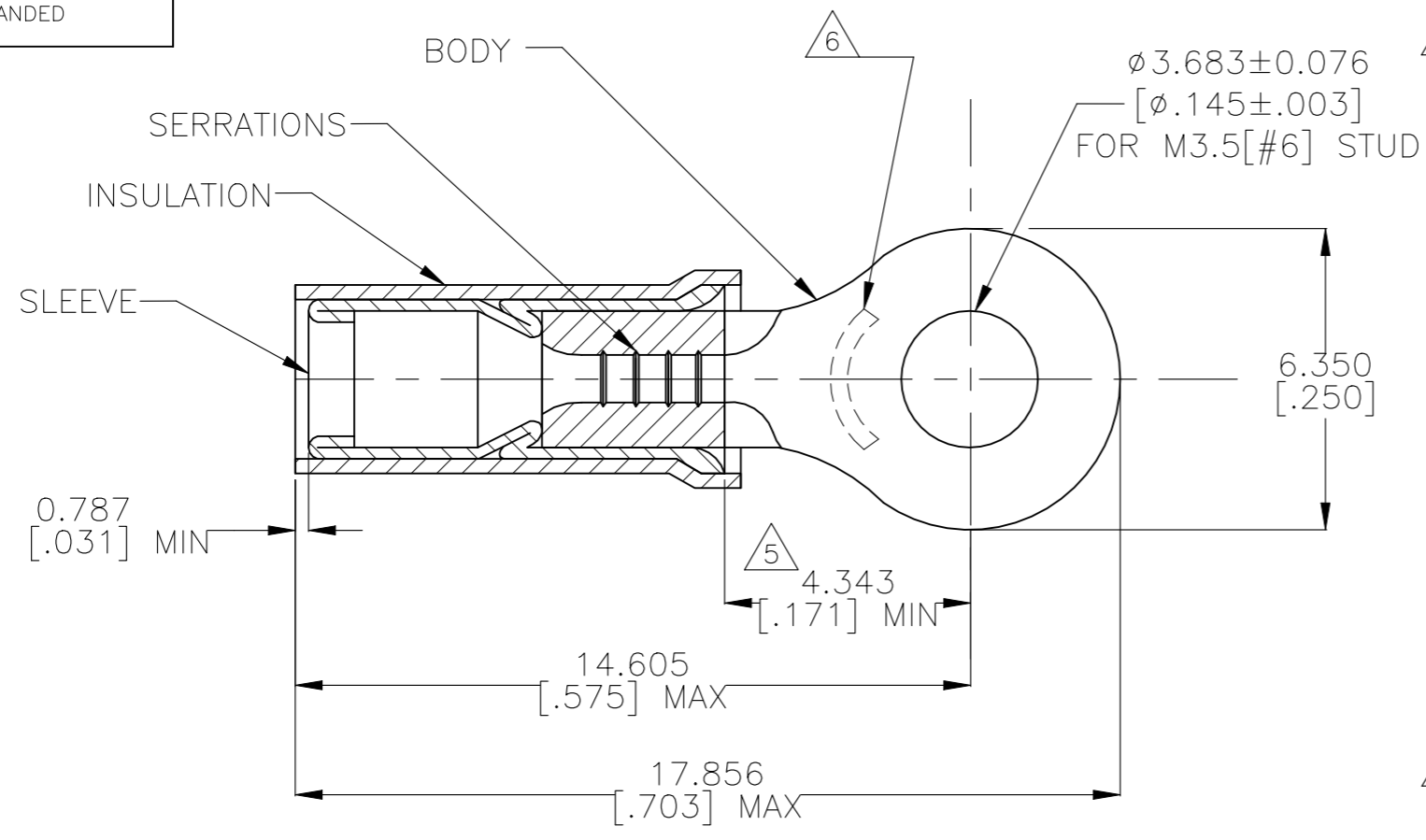


REVISIONS				
P	LTR	DESCRIPTION	DATE	APVD
	K6	ECR-22-138429	18MAY2022	LP DSC

**AMP**  
WIRE RANGE

---

14 AWG  
STRANDED



- 1** MATERIAL:  
BODY & SLEEVE – COPPER PER ASTM B152  
INSULATION – PTFE PER ASTM D4895
- FINISH:  
BODY – GOLD PLATE 0.00127[.00005] MIN EXT THK PER ASTM B488 TYPE 1, CODE C  
OVER NICKEL PLATE 0.00076[.00003] AVG EXT THK PER SAE AMS-QQ-N-290  
SLEEVE – NICKEL PLATE 0.001651[.000065] AVG EXT THK PER SAE AMS-QQ-N-290  
INSULATION COLOR – WHITE
- 2** FOR 2.032[.080] TO 3.810[.150] WIRE INSULATION DIA.
- 3** BODY MATERIAL THK: 0.787±0.051 [.031±.002]
- 4** NOTE DELETED
- 5** DIMENSION APPLIES FROM EDGE OF METAL WIRE BARREL TO CENTER OF STUD HOLE
- 6** STAMP "AMP 14" APPROX AS SHOWN

1000	LOOSE PIECE	1-332438-0
QTY	PACKAGE TYPE	PART NO.

<b>AMP INCORPORATED CUSTOMER SERVICE SYSTEMS</b>		MAX RECOMMENDED OPERATING TEMPERATURE: 260°C [500°F]	THIS DRAWING IS A CONTROLLED DOCUMENT.		DWN NAGALAKSHMI K 01DEC2015	<b>STE</b> TE Connectivity					
FOR ADDITIONAL PRODUCT INFORMATION OR COPIES OF DRAWINGS AND TECHNICAL DOCUMENTS	PRODUCT INFORMATION CENTER 1-800-522-6752	VOLTAGE RATING: 300V MAX	DIMENSIONS: mm [INCHES]	TOLERANCES UNLESS OTHERWISE SPECIFIED:	CHK MERCURIO MAURIZIO 01DEC2015				NAME TERMINAL, RING TONGUE, PIDG, STRATO-THERM, WIRE SIZE: 14 AWG		
FOR APPLICATION TOOLING INFORMATION	TOOLING ASSISTANCE CENTER 1-800-722-1111	CIRCULAR MIL AREA: 2.15mm²[4,234] STRANDED WIRE ONLY		0 PLC ± - 1 PLC ± - 2 PLC ± - 3 PLC ± 0.127[.005] 4 PLC ± - ANGLES ± -	APVD MERCURIO MAURIZIO 01DEC2015	PRODUCT SPEC -	APPLICATION SPEC 114-2162	SIZE A3	CAGE CODE 00779	DRAWING NO C-332438	RESTRICTED TO -
FOR ORDER ENTRY	1-800-526-5142	MATERIAL 	FINISH 	CUSTOMER DRAWING	WEIGHT -	SCALE NTS	SHEET 1 OF 1	REV K6			