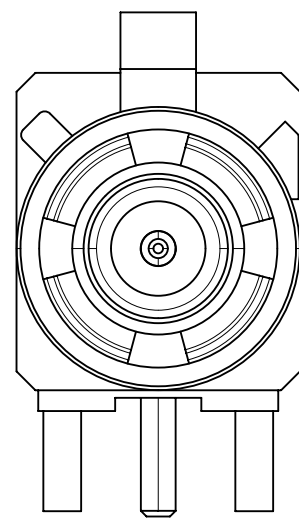
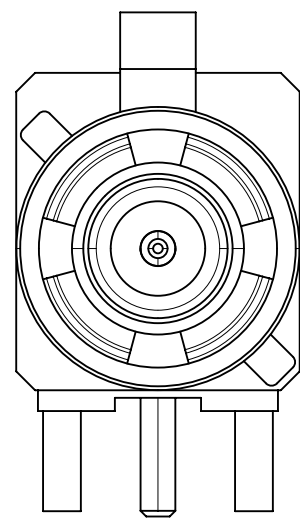


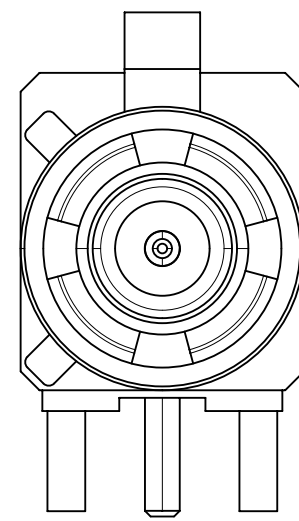
CODE A



CODE B

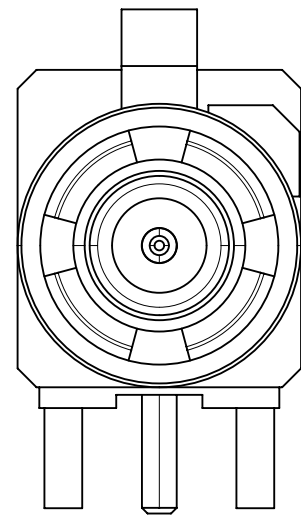


CODE C

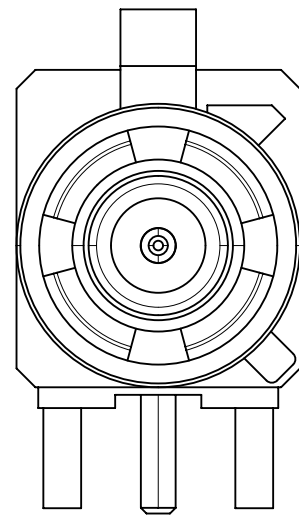


CODE D

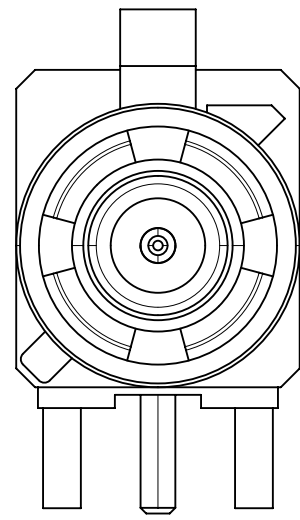
N	PASTEL GREEN	73403-5123
M	PASTEL ORANGE	73403-5122
L	CARMINE RED	73403-5121
Z	WATER BLUE	73403-5120
K	CURRY YELLOW	73403-5119
I	BEIGN	73403-5118
H	VIOLET	73403-5117
G	GRAY	73403-5116
F	BROWN	73403-5115
E	GREEN	73403-5114
D	BORDEAUXVIOLET	73403-5113
C	BLUE	73403-5112
B	SINGLE WHITE	73403-5111
A	BLACK	73403-5110
KEYING CODE	COLOR	PART NO.



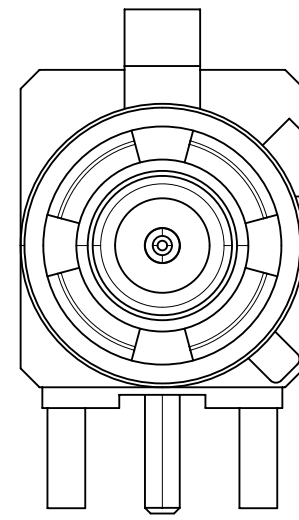
CODE E



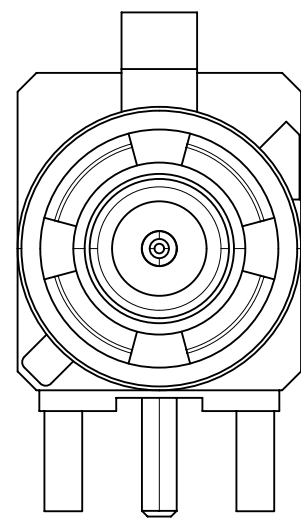
CODE F



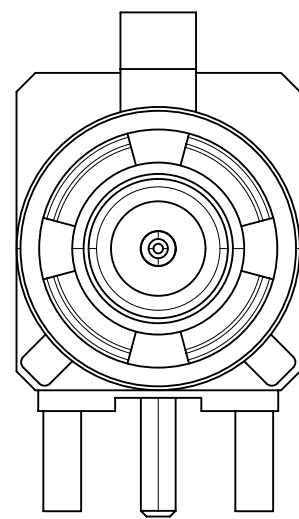
CODE G



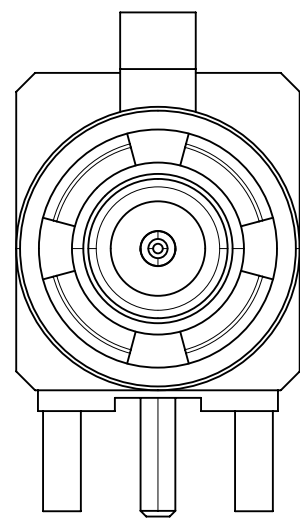
CODE H



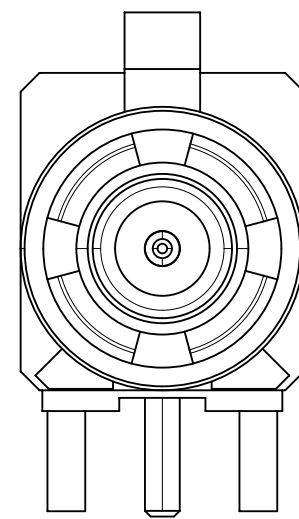
CODE I



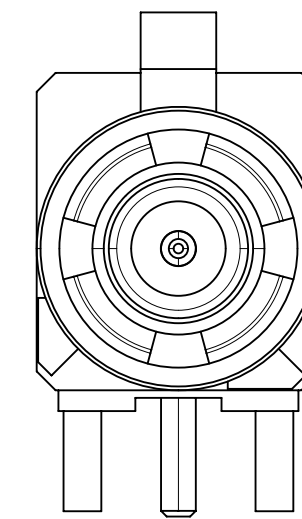
CODE K



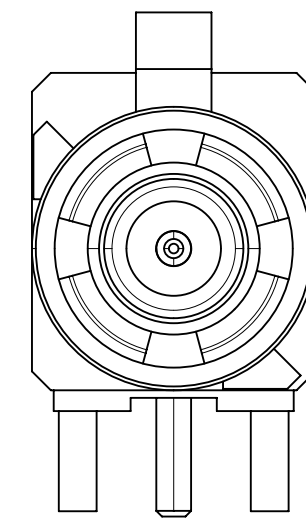
CODE Z



CODE L



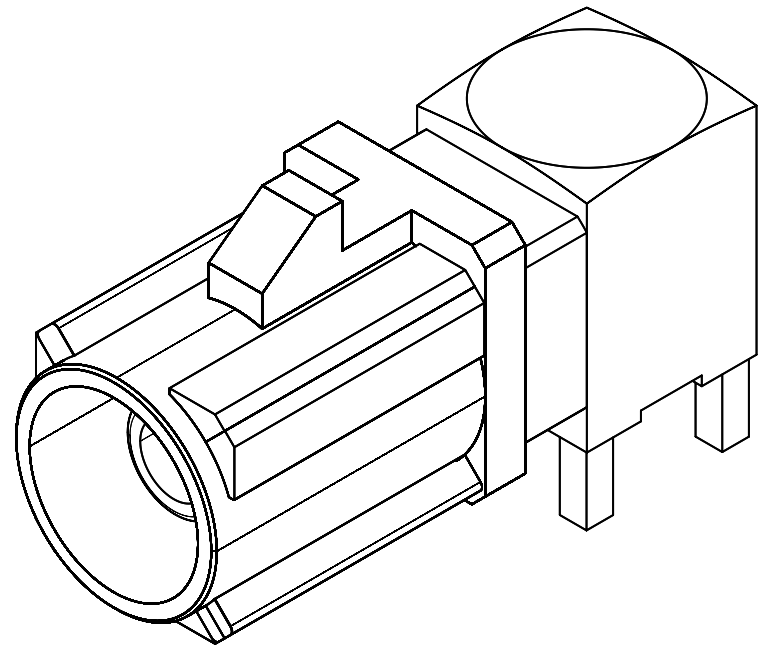
CODE M



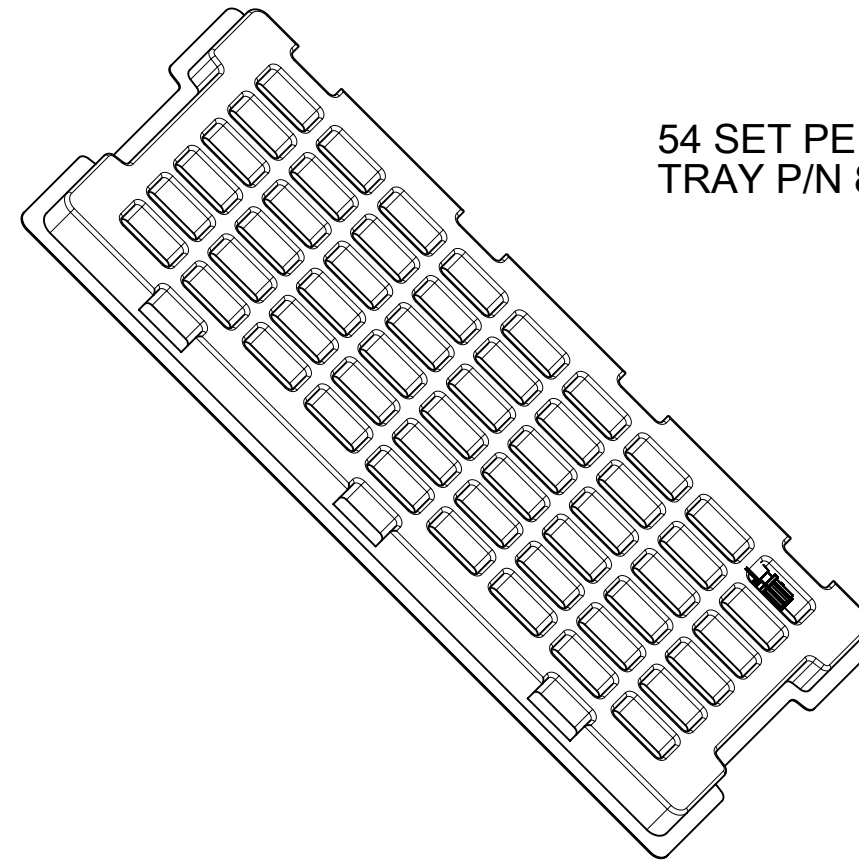
CODE N

<b>SYMBOLS</b> ▽ = 0 ▽ = 0 ▽ = 0 ▽ = 0 ▽ = 0 ▽ = 0 ▽ = 0 ▽ = 0 ▽ = 0 ▽ = 0	THIS DRAWING CONTAINS INFORMATION THAT IS PROPRIETARY TO MOLEX ELECTRONIC TECHNOLOGIES, LLC AND SHOULD NOT BE USED WITHOUT WRITTEN PERMISSION		CURRENT REV DESC:						
	DIMENSION UNITS	SCALE				EC NO: 173804 DRWN: ELIN 2018/03/19 CHK'D: YCHENG 2018/03/23 APPR: YCHENG 2018/03/23			
	HYBRID	5:1							
	GENERAL TOLERANCES (UNLESS SPECIFIED)				INITIAL REVISION: DRWN: SCHOU 2009/01/21 APPR: MHUANG 2009/01/23	DOCUMENT NUMBER	DOC TYPE	DOC PART	REVISION
	ANGULAR TOL ± 2.0°					SD-73403-511	PSD	001	A7
	4 PLACES ±					MATERIAL NUMBER		CUSTOMER	
	3 PLACES ±					GENERAL MARKET		SHEET NUMBER	
	2 PLACES ±								
	1 PLACE ±								
	0 PLACES ±								
▣ = 0	DRAFT WHERE APPLICABLE MUST REMAIN WITHIN DIMENSIONS		THIRD ANGLE PROJECTION		DRAWING		SERIES		
▽ = 0					C-SIZE		73403		

PN 73403-511X

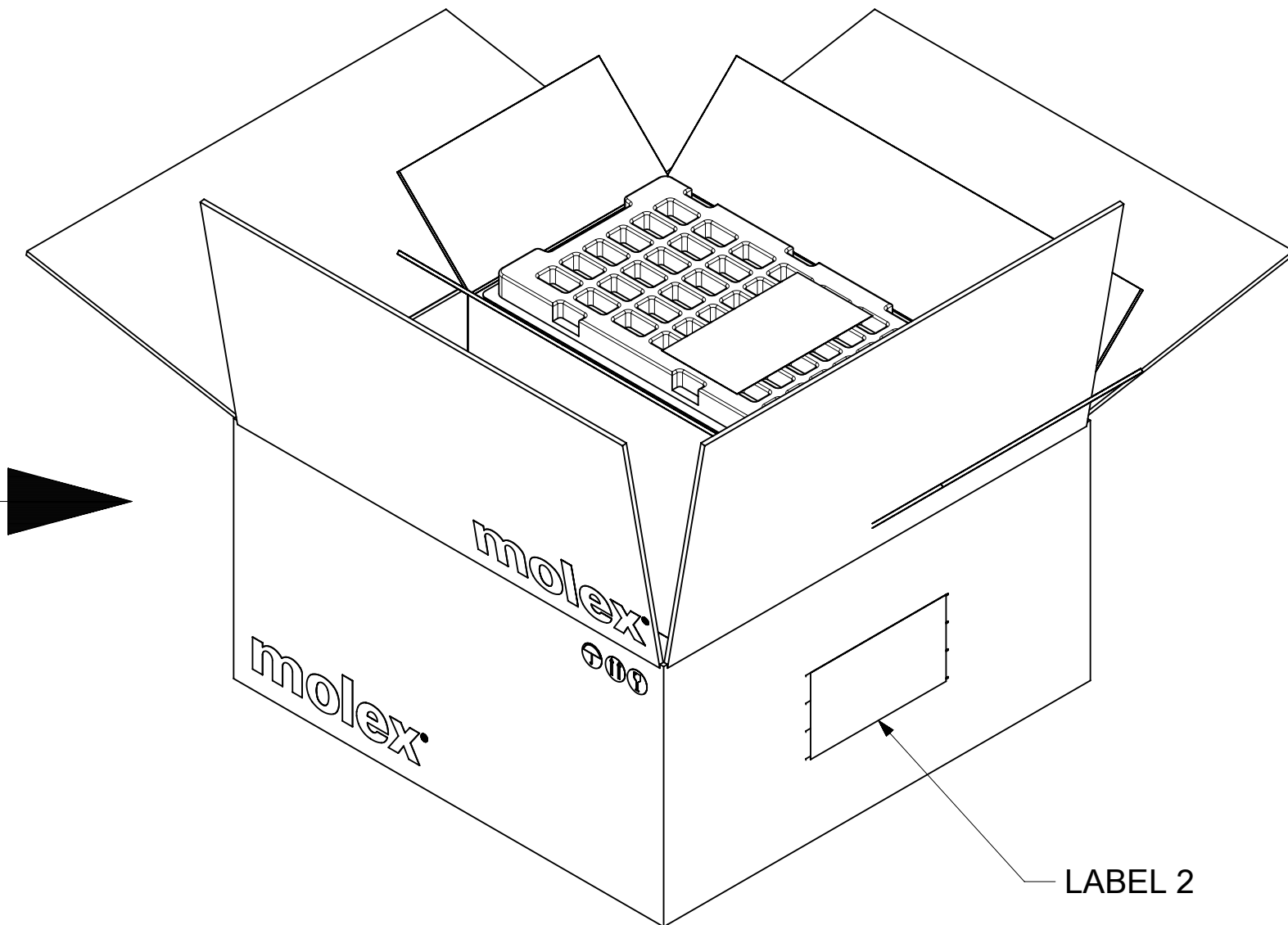
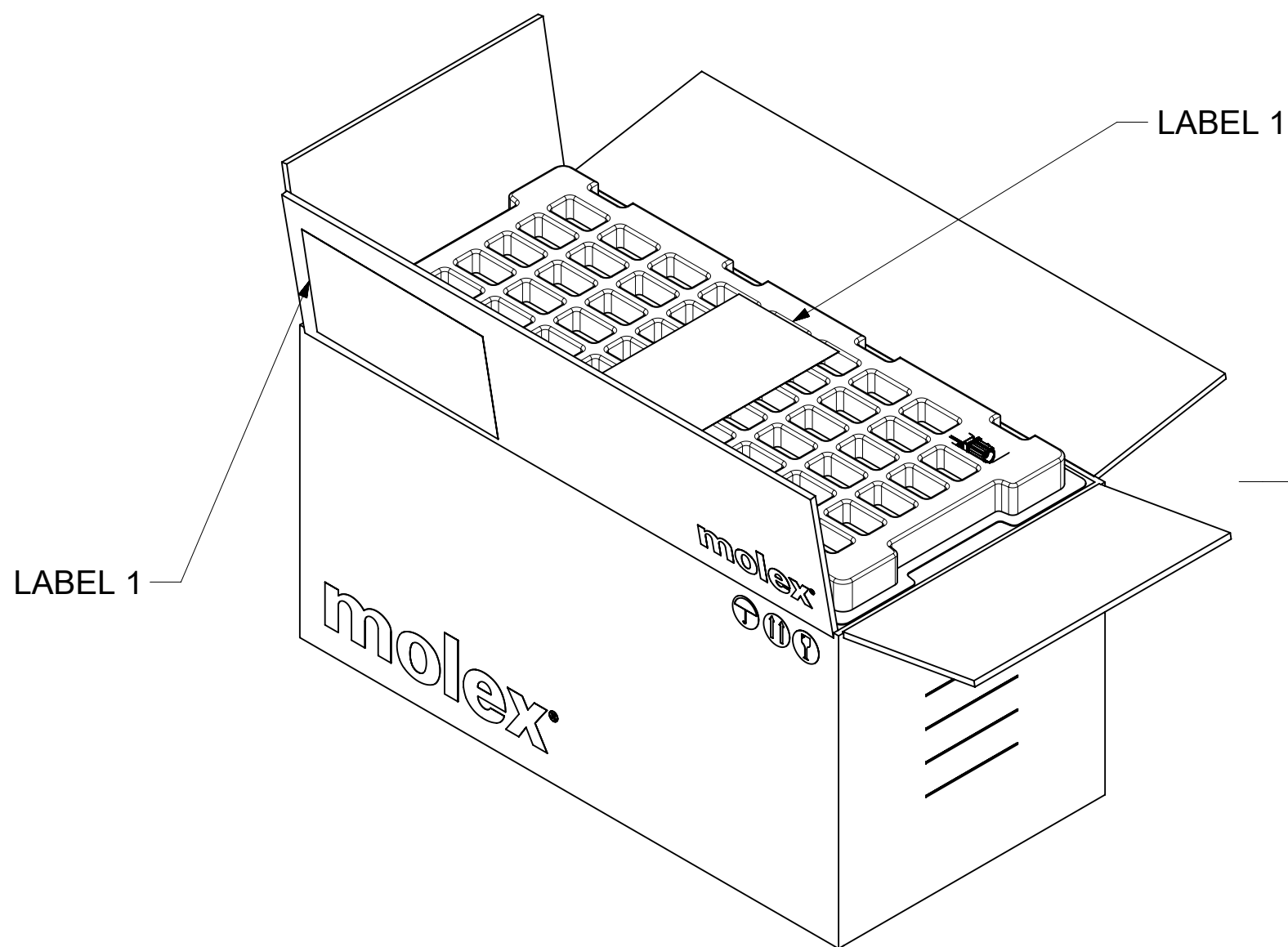


54 SET PER TRAY  
TRAY P/N 89707-0220



540 SET PER INNER  
CARTON BOX  
P/N 96707-0001

1080 SET PER OUTER  
CARTON BOX  
P/N 96708-0005



LABEL 1

LABEL 1

LABEL 2

QUALITY SYMBOLS		THIS DRAWING CONTAINS INFORMATION THAT IS PROPRIETARY TO MOLEX ELECTRONIC TECHNOLOGIES, LLC AND SHOULD NOT BE USED WITHOUT WRITTEN PERMISSION						
▽ = 0	2017/11/23	GENERAL TOLERANCES (UNLESS SPECIFIED)	DIMENSION UNITS	SCALE				
▽ = 0	EC NO: 169042 DRWN: SH001 CHKD: APPR:		HYBRID	1:1				
▽ = 0			ANGULAR TOL ± 2.0 °	DRWN BY			DATE	
▼ = 0			4 PLACES ±	SCHOU	2009/05/12			
▽ = 0			3 PLACES ±	CHKD BY	DATE			
▽ = 0			2 PLACES ±	CHKD BY	DATE			
▽ = 0	1 PLACE ±	1 PLACE ±	MHUANG	2009/05/19	PRODUCT CUSTOMER DRAWING			
□ = 0	0 PLACES ±	0 PLACES ±	DRAWING SIZE	THIRD ANGLE PROJECTION	SERIES	MATERIAL NUMBER	CUSTOMER	
■ = 0		DRAFT WHERE APPLICABLE MUST REMAIN WITHIN DIMENSIONS	C		73403		GENERAL MARKET	
▽ = 0					DOCUMENT NUMBER	DOC TYPE	DOC PART	SHEET NUMBER
					SD-73403-511-PKG	PSD	001	1 OF 2

LABEL 1

(1P) PART NUMBER	XXXXXXXXXXXX	(9D) DATE CODE	YYWW
DESCRIPTION	SMB JACK FAKRA R/A PCB 50 OHM		
(Q) QUANTITY	540	 www.molex.com	
(4L) COUNTRY OF ORIGIN	Taiwan		
(12D) INV CTRL DATE	YYYY/MM/DD		
(1T) TRACEABILITY	XXXXXXXXXXXX		
RoHS Compliant with Exemption REACH SVHC information - see www.molex.com		Low-Halogen	
1 of 1	OPERATOR:	17.11.23	
MOLEX TAIWAN LTD. / DANSHUI, NEW TAIPEI CITY, TAIWAN 25144			

LABEL 2

(1P) PART NUMBER	XXXXXXXXXXXX	(9D) DATE CODE	YYWW
DESCRIPTION	SMB JACK FAKRA R/A PCB 50 OHM		
(Q) QUANTITY	1080	 www.molex.com	
(4L) COUNTRY OF ORIGIN	Taiwan		
(12D) INV CTRL DATE	YYYY/MM/DD		
(1T) TRACEABILITY	XXXXXXXXXXXX		
RoHS Compliant with Exemption REACH SVHC information - see www.molex.com		Low-Halogen	
1 of 1	OPERATOR:	17.11.23	
MOLEX TAIWAN LTD. / DANSHUI, NEW TAIPEI CITY, TAIWAN 25144			

THIS DRAWING CONTAINS INFORMATION THAT IS PROPRIETARY TO MOLEX ELECTRONIC TECHNOLOGIES, LLC AND SHOULD NOT BE USED WITHOUT WRITTEN PERMISSION										
SYMBOLS ▽ = 0 ▽ = 0 ▽ = 0 ▽ = 0 ▽ = 0 ▽ = 0 ▽ = 0 ▽ = 0 ▽ = 0 ▽ = 0	DIMENSION UNITS	SCALE	CURRENT REV DESC:							
	HYBRID	1:1	EC NO: 169042 DRWN: SHO01      2017/11/23 CHK'D: APPR: YCHENG      2017/12/08							
	GENERAL TOLERANCES (UNLESS SPECIFIED)									
	ANGULAR TOL ± 2.0°	INITIAL REVISION: DRWN: SCHOU      2009/05/12 APPR: MHUANG      2009/05/19								
	4 PLACES ±									
	3 PLACES ±									
	2 PLACES ±	DOCUMENT NUMBER      DOC TYPE      DOC PART      REVISION SD-73403-511-PKG      PSD      001      B								
	1 PLACE ±									
	0 PLACES ±	DRAFT WHERE APPLICABLE MUST REMAIN WITHIN DIMENSIONS		THIRD ANGLE PROJECTION	DRAWING	SERIES	MATERIAL NUMBER	CUSTOMER	SHEET NUMBER	
	▣ = 0			#####	C-SIZE	73403		GENERAL MARKET	2 OF 2	

**molex**

PACKAGING FOR 73403-511X

PRODUCT CUSTOMER DRAWING

MATERIALS AND FINISHES

BODY BRASS  
PLATED NICKEL

HOUSING BRASS  
PLATED TIN

CENTER CONTACT PHOSPHOR BRONZE/BRASS  
PLATED GOLD

OUTER CASING HIGH TEMPERATURE PLASTIC  
KEYING SEE TABLE  
COLOR SEE TABLE

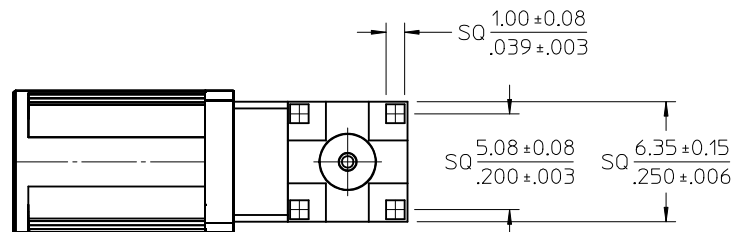
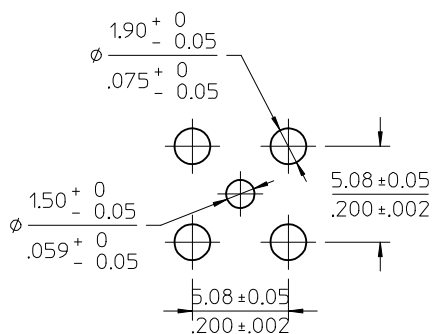
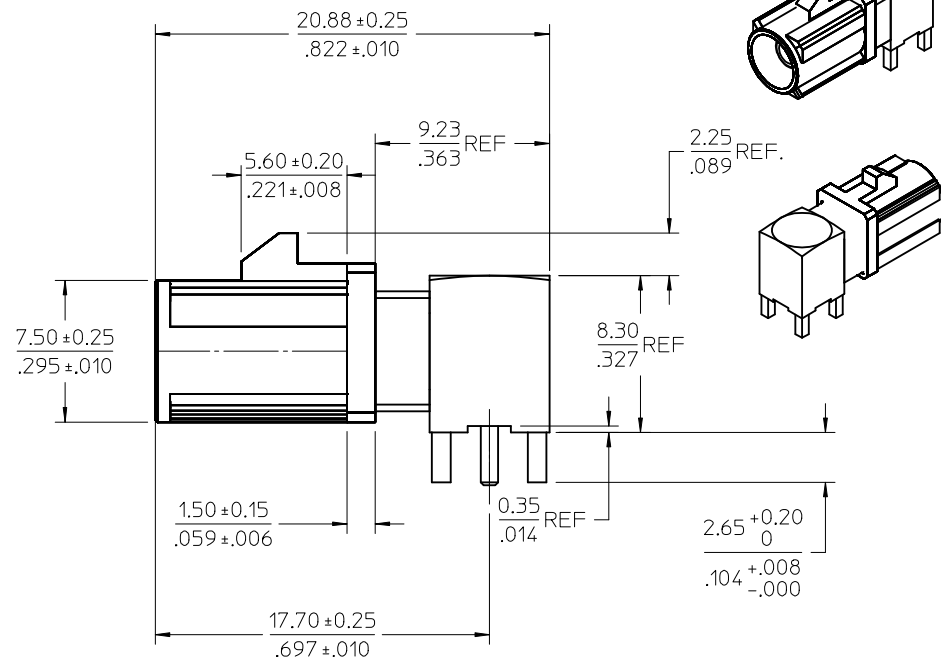
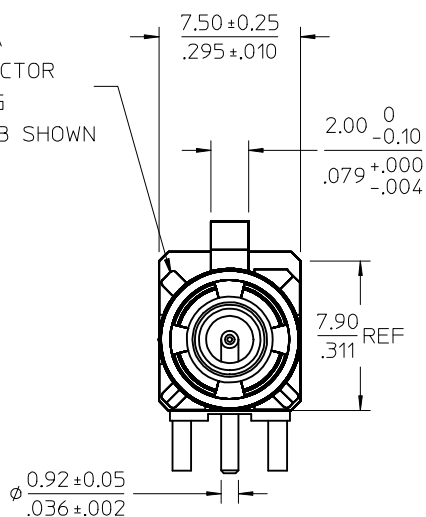
INSULATOR TEFLON

PACKAGING BY TAPE AND REEL

RETENTION SPECIFICATION

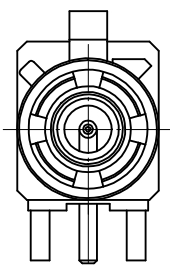
THE FAKRA CONNECTOR SHROUD WILL WITHSTAND  
A LONGITUDINAL FORCE OF 110 N (24.75 LBS)

FAKRA  
CONNECTOR  
KEYING  
CODE B SHOWN

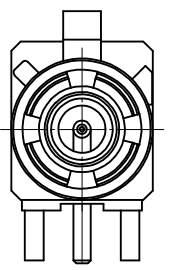


PS-89675-3310	PRODUCT SPECIFICATION
MIL-STD-348A, FIG. 311.1	INTERFACE SPECIFICATION
SPECIFICATION	DESCRIPTION

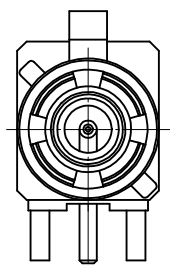
RTM PDR15092069 PDR13091433 EC NO: URF2016-0255 DRWNLIN 2013/09/24 CHKD: APPR: YCHENG 2015/10/13 DESCRIPTION	QUALITY SYMBOLS	GENERAL TOLERANCES (UNLESS SPECIFIED)	DIMENSION STYLE	SCALE	DESIGN UNITS	THIRD ANGLE PROJECTION
	$\nabla = 0$ $\nabla = 0$ $\nabla = 0$	mm      INCH 4 PLACES ± --- ± --- 3 PLACES ± --- ± --- 2 PLACES ± --- ± --- 1 PLACE ± --- ± --- 0 PLACE ± --- ± ---	MM/IN	1:1	METRIC	TITLE SMB JACK, FAKRA,R/A PCB 50 OHMS T&R SMB-J/PCB/RA <b>molex</b>
	DRAWN BY EL IN CHECKED BY JOANNE APPROVED BY YCHENG DATE 2013/09/24 DATE 2015/10/13	ANGULAR ± 2 ° DRAFT WHERE APPLICABLE MUST REMAIN WITHIN DIMENSIONS	MATERIAL NO. <b>SEE SHEET 2</b>	DOCUMENT NO. SD-73403-650	SHEET NO. 1 OF 5	
	SIZE C THIS DRAWING CONTAINS INFORMATION THAT IS PROPRIETARY TO MOLEX INCORPORATED AND SHOULD NOT BE USED WITHOUT WRITTEN PERMISSION					



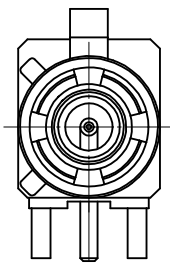
CODE-A



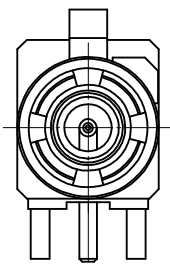
CODE-B



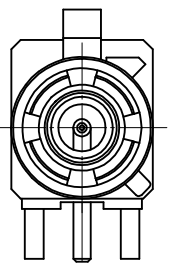
CODE-C



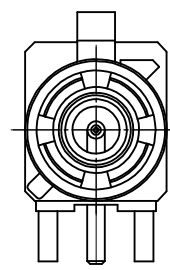
CODE-D



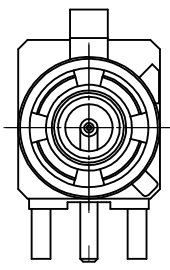
CODE-E



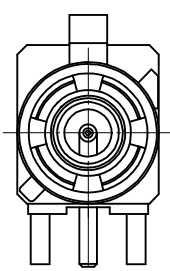
CODE-F



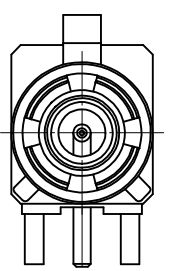
CODE-G



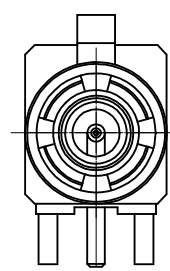
CODE-H



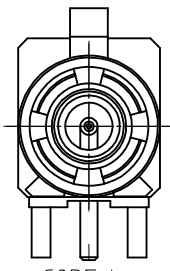
CODE-I



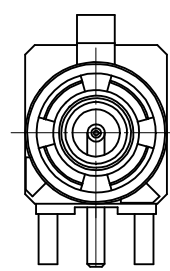
CODE-K



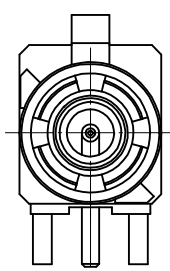
CODE-Z



CODE-L



CODE-M



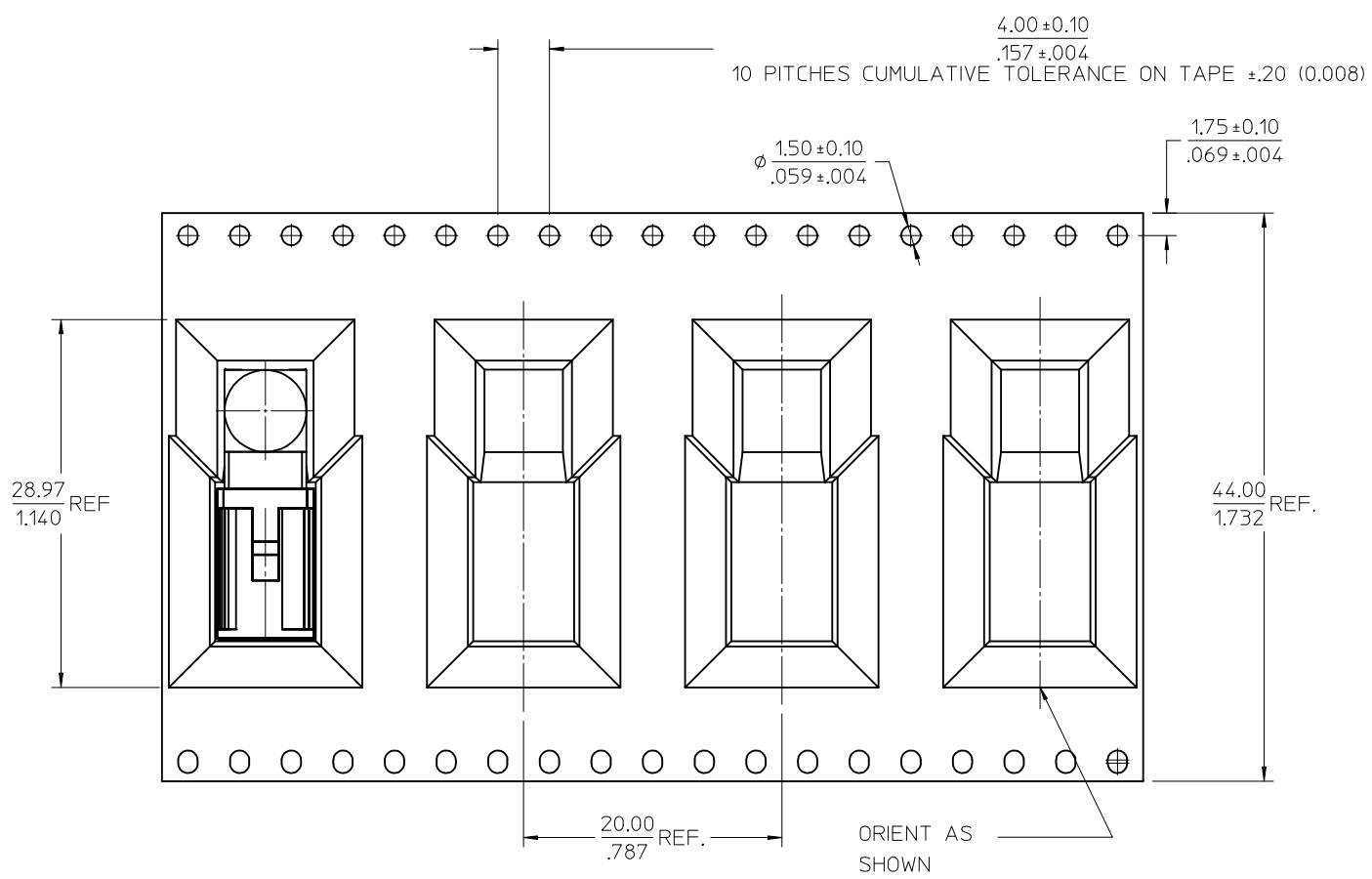
CODE-N

N	PASTEL GREEN	73403-6513
M	PASTEL ORANGE	73403-6512
L	CARMINE RED	73403-6511
Z	WATER BLUE	73403-6510
K	CURRY YELLOW	73403-6509
I	BEIGE	73403-6508
H	VIOLET	73403-6507
G	GRAY	73403-6506
F	BROWN	73403-6505
E	GREEN	73403-6504
D	BORDEAUXVIOLET	73403-6503
C	BLUE	73403-6502
B	NATURAL	73403-6501
A	BLACK	73403-6500
KEYING CODE	COLOR	PART NO.

<b>SEE SHEET 1</b> EC NO: URF2016-0255 DRW:LIN 2013/09/24 CHKD: APPR:YCHENG 2015/10/13	QUALITY SYMBOLS = 0 = 0 = 0	GENERAL TOLERANCES (UNLESS SPECIFIED) <table border="1"> <tr><th></th><th>mm</th><th>INCH</th></tr> <tr><td>4 PLACES</td><td>± .005</td><td>± .0004</td></tr> <tr><td>3 PLACES</td><td>± .005</td><td>± .0004</td></tr> <tr><td>2 PLACES</td><td>± .005</td><td>± .0004</td></tr> <tr><td>1 PLACE</td><td>± .005</td><td>± .0004</td></tr> <tr><td>0 PLACE</td><td>± .005</td><td>± .0004</td></tr> </table>		mm	INCH	4 PLACES	± .005	± .0004	3 PLACES	± .005	± .0004	2 PLACES	± .005	± .0004	1 PLACE	± .005	± .0004	0 PLACE	± .005	± .0004	DIMENSION STYLE <b>MM/IN</b> DRAWN BY DATE EL IN 2013/09/24 CHECKED BY DATE JOANNE 2013/09/24 APPROVED BY DATE YCHENG 2015/10/13	SCALE <b>1:1</b> DESIGN UNITS <b>METRIC</b> THIRD ANGLE PROJECTION	TITLE <b>SMB JACK, FAKRA,R/A          PCB 50 OHMS T&amp;R          SMB-J/PCB/RA</b> <b>molex</b>	MATERIAL NO. <b>SEE TABLE</b> DOCUMENT NO. <b>SD-73403-650</b>	SHEET NO. <b>2 OF 5</b>
		mm	INCH																						
	4 PLACES	± .005	± .0004																						
	3 PLACES	± .005	± .0004																						
2 PLACES	± .005	± .0004																							
1 PLACE	± .005	± .0004																							
0 PLACE	± .005	± .0004																							
ANGULAR ± 2° DRAFT WHERE APPLICABLE MUST REMAIN WITHIN DIMENSIONS		SIZE <b>C</b>		THIS DRAWING CONTAINS INFORMATION THAT IS PROPRIETARY TO MOLEX INCORPORATED AND SHOULD NOT BE USED WITHOUT WRITTEN PERMISSION																					

13 12 11 10 9 8 7 6 5 4 3 2 1

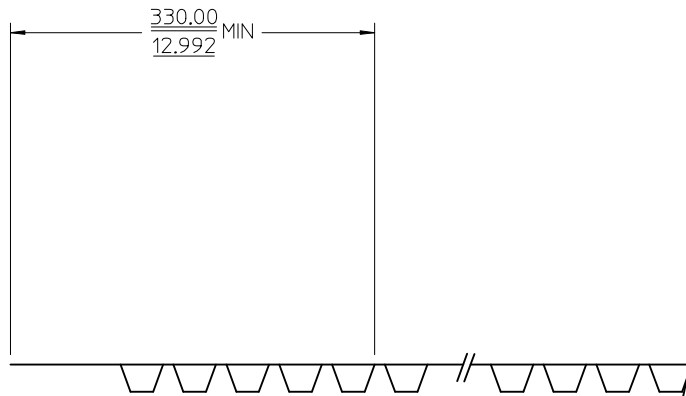
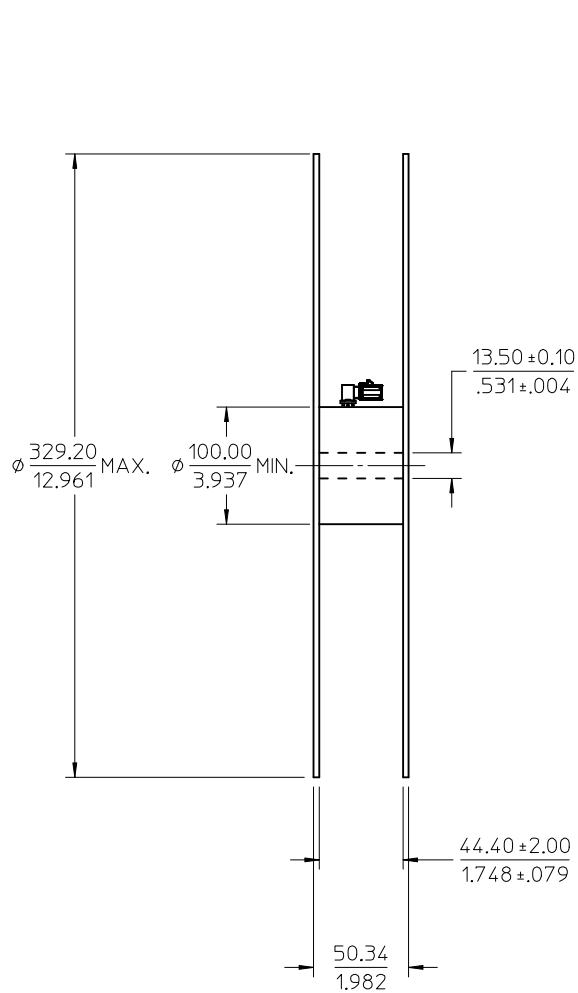
J  
I  
H  
G  
F  
E  
D  
C  
B  
A



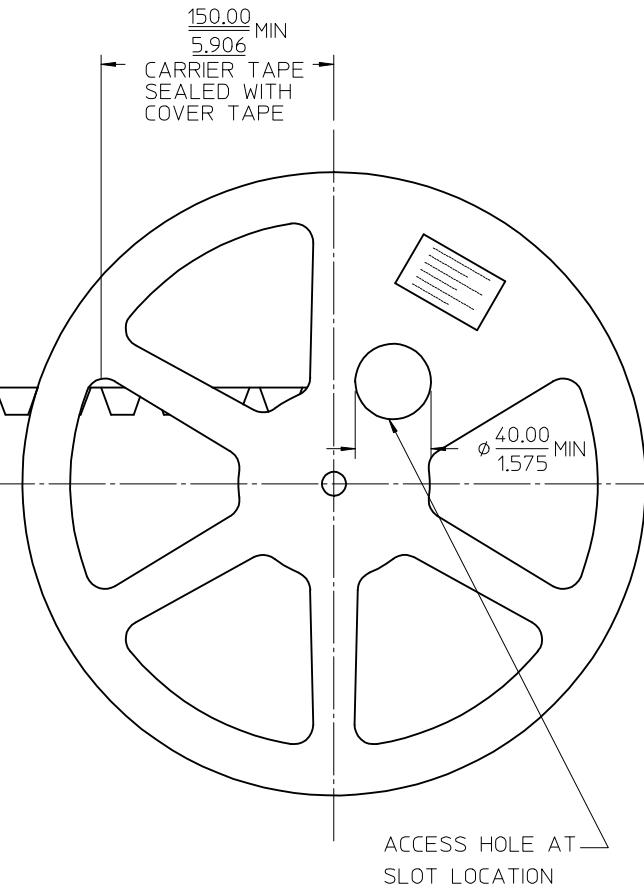
NOTES:  
1. 250 CONNECTORS PER REEL ON 330.2 mm (13.0 IN) REEL

SEE SHEET 1 EC NO: URF2016-0255 DRAWN IN 2013/09/24 CHKD: APPR: YCHENG REV: A	DESCRIPTION 2015/10/13	QUALITY SYMBOLS	GENERAL TOLERANCES (UNLESS SPECIFIED)	DIMENSION STYLE	SCALE	DESIGN UNITS	THIRD ANGLE PROJECTION
		▽=0 ▽=0 ▽=0	mm INCH	MM/IN	1:1	METRIC	
			4 PLACES ± --- ± ---	DRAWN BY DATE	TITLE SMB JACK, FAKRA,R/A PCB 50 OHMS T&R SMB-J/PCB/RA <b>molex</b> DOCUMENT NO. SD-73403-650 SHEET NO. 3 OF 5		
			3 PLACES ± --- ± ---	EL IN 2013/09/24			
			2 PLACES ± --- ± ---	CHECKED BY DATE			
			1 PLACE ± --- ± ---	JOANNE 2013/09/24			
			0 PLACE ± --- ± ---	APPROVED BY DATE			
			ANGULAR ± 2 °	YCHENG 2015/10/13			
			DRAFT WHERE APPLICABLE MUST REMAIN WITHIN DIMENSIONS	MATERIAL NO.			
				SEE SHEET 2			
				SIZE C	THIS DRAWING CONTAINS INFORMATION THAT IS PROPRIETARY TO MOLEX INCORPORATED AND SHOULD NOT BE USED WITHOUT WRITTEN PERMISSION		

1b\_frame\_C\_P\_AM\_T Rev. G 2012/01/11 12 11 10 9 8 7 6 5 4 3 2 1

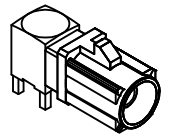


250mm MIN OF CARRIER AND /OR COVER TAPE.  
PLUS 80mm MINIMUM OF CARRIER TAPE SEALED WITH COVER TAPE

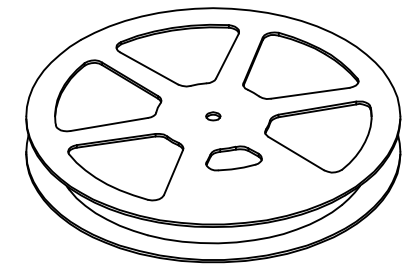
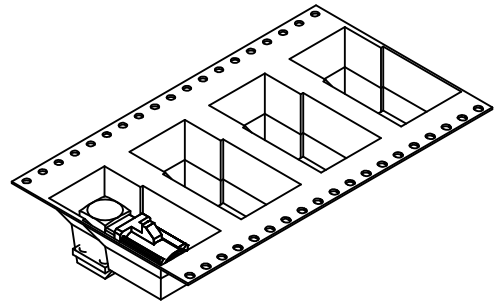


SEE SHEET 1 EC NO: URF2016-0255 DRW:ELIN 2013/09/24 CHKD: APPR:YCHENG 2015/10/13	QUALITY SYMBOLS	GENERAL TOLERANCES (UNLESS SPECIFIED)		DIMENSION STYLE MM/IN		SCALE 1:2	DESIGN UNITS METRIC	THIRD ANGLE PROJECTION	
	$\nabla = 0$	mm	INCH	DRAWN BY	DATE	TITLE <b>SMB JACK, FAKRA,R/A</b> <b>PCB 50 OHMS T&amp;R</b> <b>SMB-J/PCB/RA</b> <b>molex</b>			
	$\nabla = 0$	4 PLACES $\pm$ --- $\pm$ ---	3 PLACES $\pm$ --- $\pm$ ---	EL IN	2013/09/24				
	$\nabla = 0$	ANGULAR $\pm 2^\circ$		2 PLACES $\pm$ --- $\pm$ ---	CHECKED BY	DATE	DOCUMENT NO. <b>SD-73403-650</b>		
$\nabla = 0$	DRAFT WHERE APPLICABLE MUST REMAIN WITHIN DIMENSIONS		1 PLACE $\pm$ --- $\pm$ ---	JOANNE	2013/09/24	SHEET NO. 4 OF 5			
A	REV	MATERIAL NO.		APPROVED BY	DATE	THIS DRAWING CONTAINS INFORMATION THAT IS PROPRIETARY TO MOLEX INCORPORATED AND SHOULD NOT BE USED WITHOUT WRITTEN PERMISSION			
		SEE SHEET 2		YCHENG	2015/10/13				

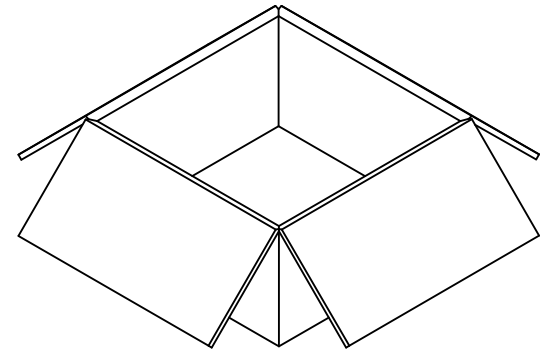




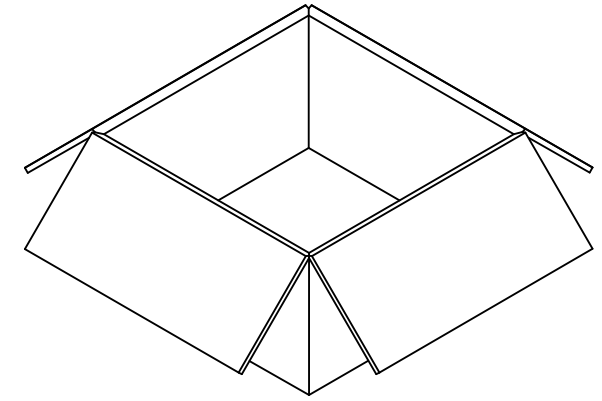
73403-650\*



250 SET PER 13" REEL



1000 SET PER INNER  
CARTON BOX  
343 X 343 X 188 REF.



1000 SET PER OUTER  
CARTON BOX  
394 X 391 X 212 REF.

SEE SHEET 1 EC NO: URF-2016-0255 DRW: ELIN 2013/09/24 CHKD: DRW: ELIN APPR: YCHENG 2015/10/13	DESCRIPTION REV: A	QUALITY SYMBOLS	GENERAL TOLERANCES (UNLESS SPECIFIED)		DIMENSION STYLE	SCALE	DESIGN UNITS	THIRD ANGLE PROJECTION		
		▽=0	mm	INCH	MM/IN	1:1	METRIC			
		▽=0	4 PLACES ± ---	± ---	DATE	TITLE	SMB JACK, FAKRA,R/A PCB 50 OHMS T&R SMB-J/PCB/RA <b>molex</b>			
		▽=0	3 PLACES ± ---	± ---	ELIN 2013/09/24	DATE				
▽=0	2 PLACES ± ---	± ---	CHECKED BY	DATE	DOCUMENT NO. SD-73403-650 SHEET NO. 5 OF 5					
▽=0	1 PLACE ± ---	± ---	JOANNE 2013/09/24	DATE						
	0 PLACE ± ---	± ---	APPROVED BY	DATE	THIS DRAWING CONTAINS INFORMATION THAT IS PROPRIETARY TO MOLEX INCORPORATED AND SHOULD NOT BE USED WITHOUT WRITTEN PERMISSION					
	ANGULAR ± 2 °		YCHENG 2015/10/13	DATE						
DRAFT WHERE APPLICABLE MUST REMAIN WITHIN DIMENSIONS			MATERIAL NO.		SIZE					
			SEE SHEET 2		C					