

1

2

3

4

### TECHNICAL SPECIFICATIONS

INSULATOR : Self extinguishing Thermoplastics-UL CLASS 94 V0  
 CONTACTS : Copper alloy with GOLD over NICKEL  
 SHELLS : Steel with Nickel Plated

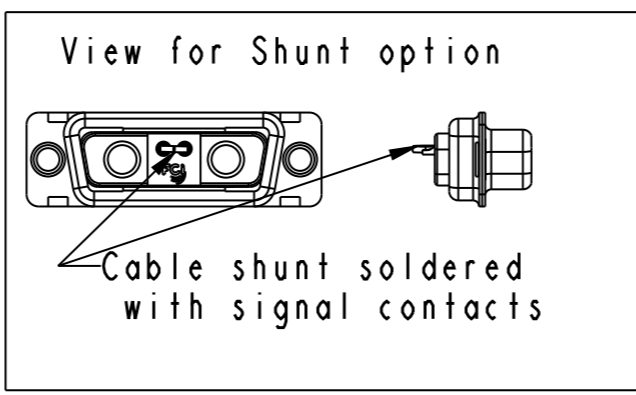
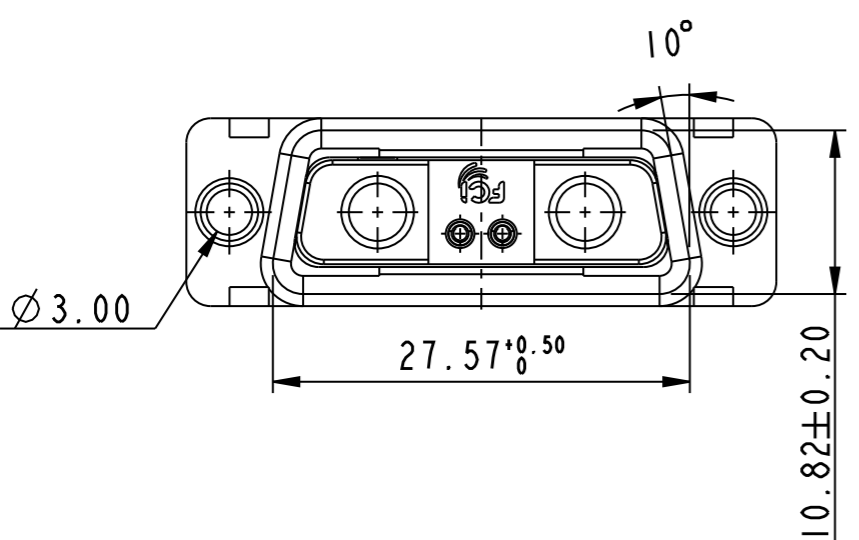
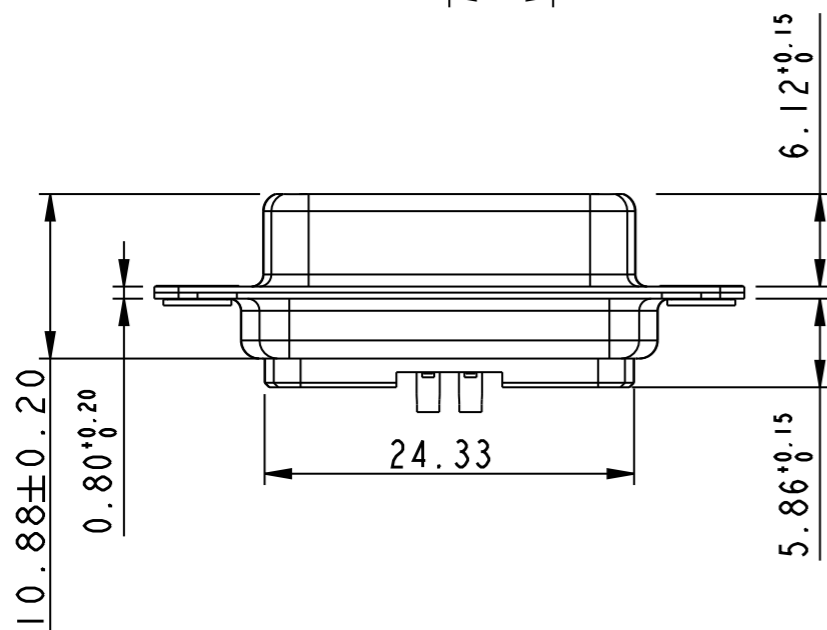
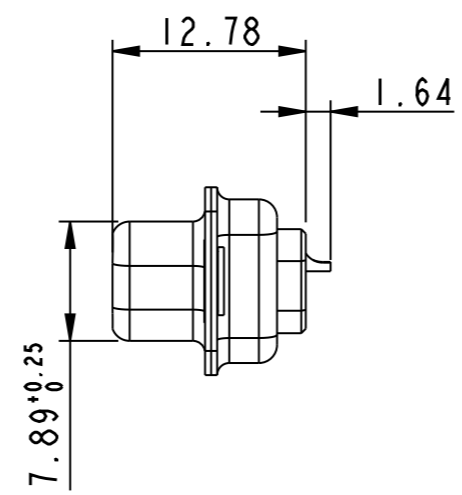
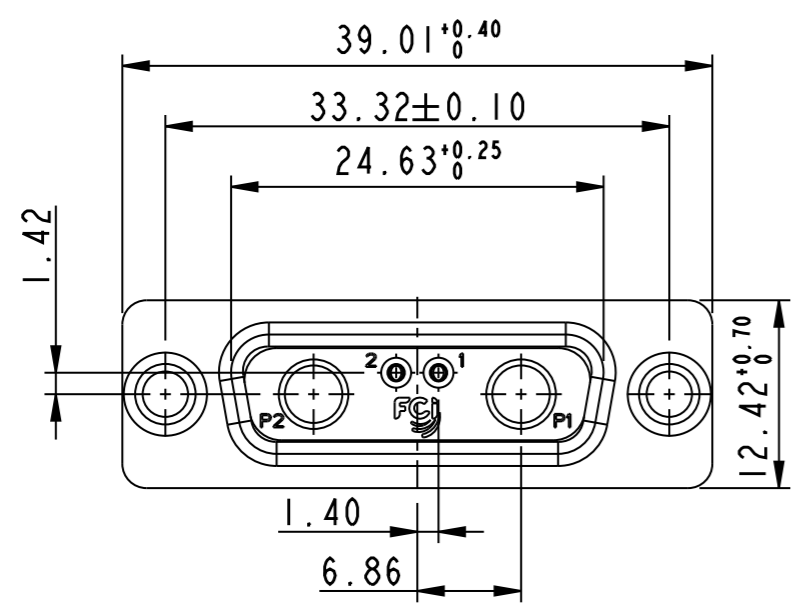
CONTACT ACTIVE ZONE : GOLD over Nickel  
 (200 matings)

TERMINATION ZONE : TIN over Nickel

Current Rating : 48V/24A for Power contact  
 0.375 A for signal contact

Test Voltage : 1000V  
 Contact Resistance : For Power contacts-  $\leq 10\text{m}\Omega$   
 For Signal contacts -  $\leq 25\text{m}\Omega$   
 Insulation Resistance : 5000M Ohm

Operating temperature : 70°C+30°C Temperature rise  
 Mechanical Endurance : 200 matings  
 Damp Heat : 21 days  
 Wire Size : Power -8AWG  
 Signal - AWG 20/24  
 Contacts : Power contacts -Solder/Crimp  
 : Signal contacts - Solder  
 Max.Dia of wire : 1.52mm (AWG 20/24),  
 Connector is FMLB Compatible



### ORDERING INFORMATION

## 10070165-001 19 A LF

001- Without Shunt

A-No ACCESSORY

002- With Shunt



Copyright FCI.

"This Product Meets European union directives & other country regulations as described in GS-22-008"

Packing asper GS 14-1104

rev	ecn no	dr	date
A	107-0051	NG	2007-07-17
B	111-0177	RPK	2011-10-24
-	-	-	-
-	-	-	-
-	-	-	-
-	-	-	-

www.fci.com		surface - <input checked="" type="checkbox"/> ISO 1302	tolerance std ISO 406 ISO 1101	projection	mm
TOLERANCES UNLESS OTHERWISE SPECIFIED					
Dr	SINESH	2007-01-10	ANGULAR	0.X ±.3	size A3
Eng	NIRMAL G	2007-12-05	LINEAR	0.XX ±.10	Scale 1:1
Chr	NIRMAL.G	2007-12-05	0° ±2°	0.XXX ±.050	ECN 111-0177
Appr	BIJU.K.PAUL	2007-12-06	Product family	-D-SUB	Spec ref
		FEMALE CABLE CONNECTOR-48V		dwg no 10070165	Rev. B
		MicroTCA Power I/O Connector		CUSTOMER	sheet 1 of 1
		catalog no			

REV F - 2006-04-17

1

2

3

FDM: Rev:B

STATUS: Released

Printed: Nov 16, 2011