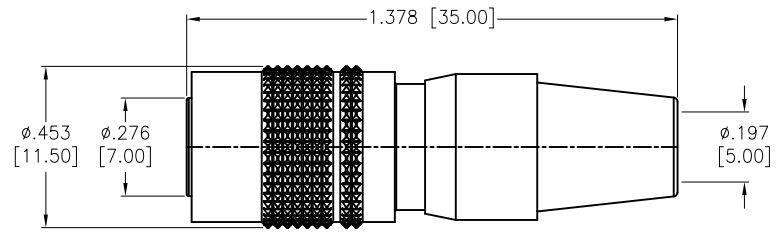
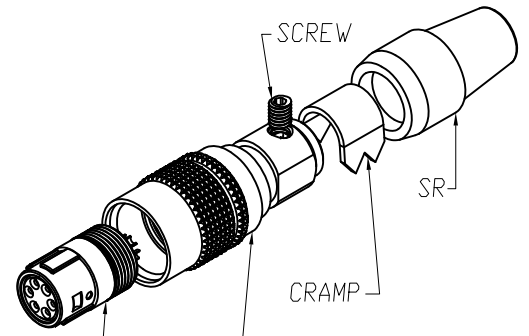
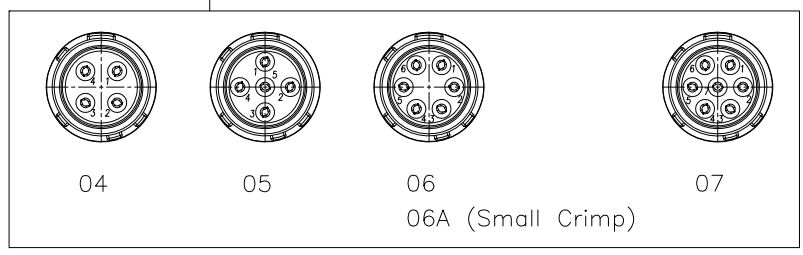


Rev	AWO #	Description	Date	Appr
-		RELEASED	11/23/18	

APPROVED: \_\_\_\_\_  
DATE: \_\_\_\_\_ TITLE: \_\_\_\_\_



SD-PNNXX-FFLAL-S00-000



**SPECIFICATIONS:**

Material:  
Housing: Nylon 46, rated UL 94V-0, Color: Black  
Contacts: Brass, Gold Flash plated  
Shell A: Zinc Alloy, Nickel plated  
Shell B: Brass, Stain Nickel plated  
Shell C: Brass, Nickel plated  
Spring: Stainless Steel, Nickel plated  
Screw: Alloy Steel, Nickel plated  
Clamp: Brass  
SR: NBR, Color: Black  
Environmental:  
Lead free, RoHS compliant



UNLESS OTHERWISE SPECIFIED ALL DIMENSIONS ARE INCHES [MM] TOLERANCES: EXCEPT AS NOTED		
INCHES HOLES		
.X ± .10	Ø.X ± .10	
.XX ± .020	Ø.XX ± .015	
.XXX ± .015	Ø.XXX ± .010	
APPROVALS		DATE
DRAWN	HR	11/23/18
CHECKED	AC	11/23/18
APPROVED		

**ADAM TECH INTERCONNECTS** 909 Rahway Avenue,  
Union, NJ 07083  
Phone: 908-687-5000  
Fax: 908-687-5710

TITLE WATERPROOF CONNECTOR, FEMALE DIN, ASSEMBLY, SHELL LOCK TYPE, SOLDER			
SIZE X	PART NO. SD-PNNXX-FFLAL-S00-000	REV. -	
REF: S00200T	SCALE: NTS	SHEET 1 OF 1	

6

5

4

3

2

1

6

5

4

3

2

1