

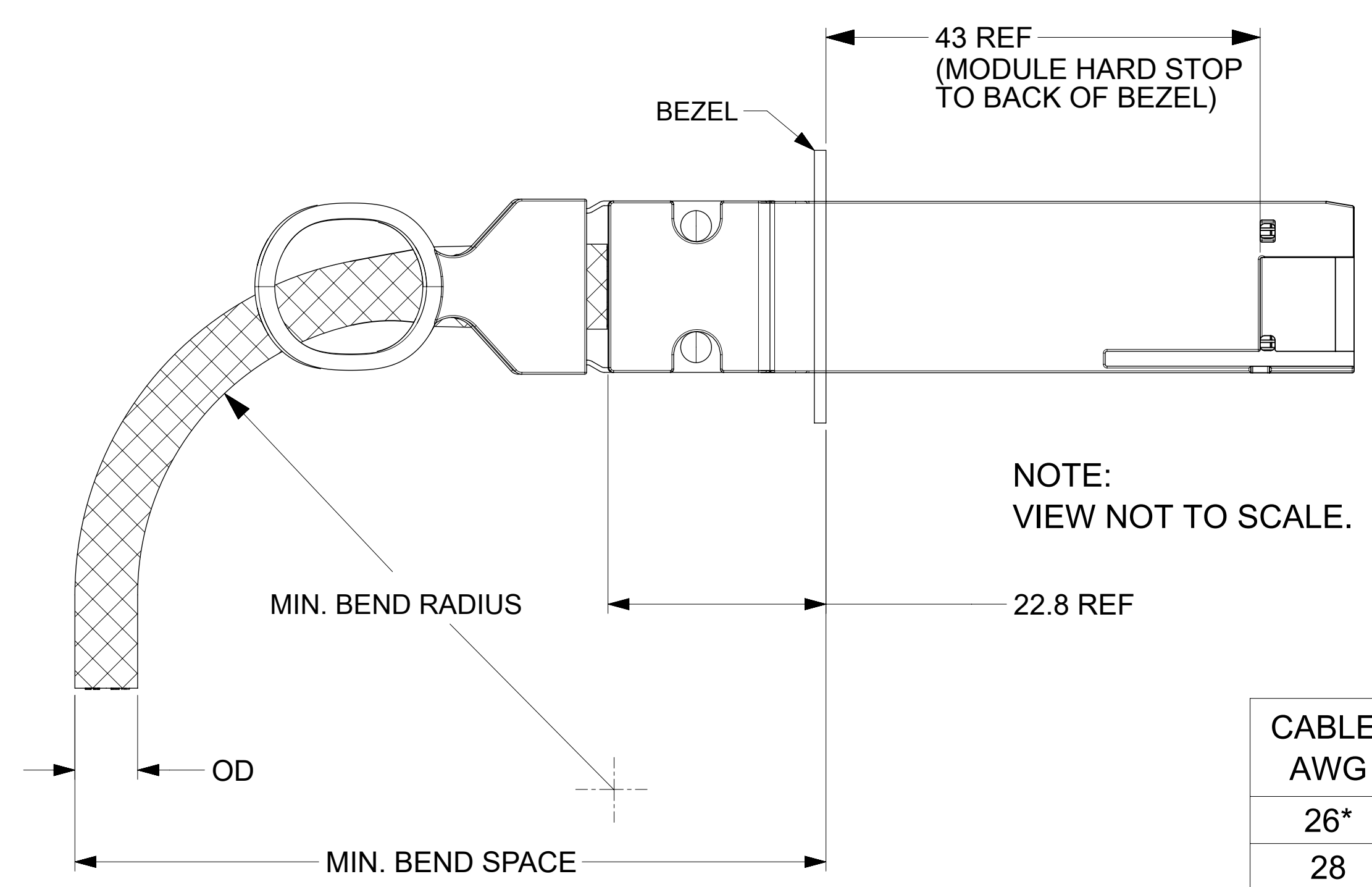
**NOTES:**

1. CABLE LENGTH DEPENDS ON WIRE GAUGE, DATA RATE, AND HOST BOARD DRIVER CAPABILITIES
2. MATERIALS:
  - BACKSHELLS - ZINC DIE CAST WITH BRIGHT NICKEL PLATING
  - DELATCH - STAINLESS STEEL WITH OVERMOLDED NYLON
  - RIVETS - STAINLESS STEEL
3. IMPEDANCE - 100 OHMS DIFFERENTIAL
4. BUNDLED CABLE RATED UL VW-1 FLAME PER UL STYLE 21479
5. EEPROM MAP AVAILABLE UPON REQUEST
6. RoHS COMPLIANT, NO EXEMPTIONS

FUNCTIONAL SYMBOLS $F_A = 0$ $F_C = 0$ $F_P = 0$ DIVISIONAL SYMBOLS	DIMENSION UNITS: <b>mm</b> SCALE: <b>2:1</b>		CURRENT REV DESC: SHEET4 : ADDED LENGTH 2M 30AWG IN P/N TABLE			
	GENERAL TOLERANCES (UNLESS SPECIFIED)		EC NO: 677116 DRWN: ADITHK 2021/05/24 CHK'D: VITTAD 2021/09/09 APPR: MGARRISON 2021/09/10			PRODUCT CUSTOMER DRAWING
	ANGULAR TOL $\pm 5.0^\circ$		INITIAL REVISION: DRWN: TPRATT 2016/11/08 APPR: CHIRSCHY 2016/11/10			DOCUMENT NUMBER: <b>2015911005</b> DOC TYPE: PSD DOC PART: 000 REVISION: U
	4 PLACES $\pm$ 3 PLACES $\pm$ 2 PLACES $\pm 0.13$ 1 PLACE $\pm 0.25$ 0 PLACES $\pm$		DRAFT WHERE APPLICABLE MUST REMAIN WITHIN DIMENSIONS			MATERIAL NUMBER: SEE P/N TABLE CUSTOMER: GENERAL MARKET SHEET NUMBER: 1 OF 4

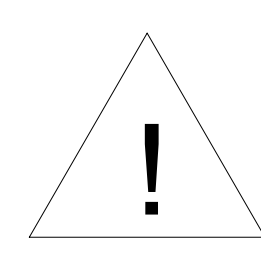
DOCUMENT STATUS	P1	RELEASE DATE	2021/09/10	01:01:00
-----------------	----	--------------	------------	----------

# CABLE BEND RADIUS

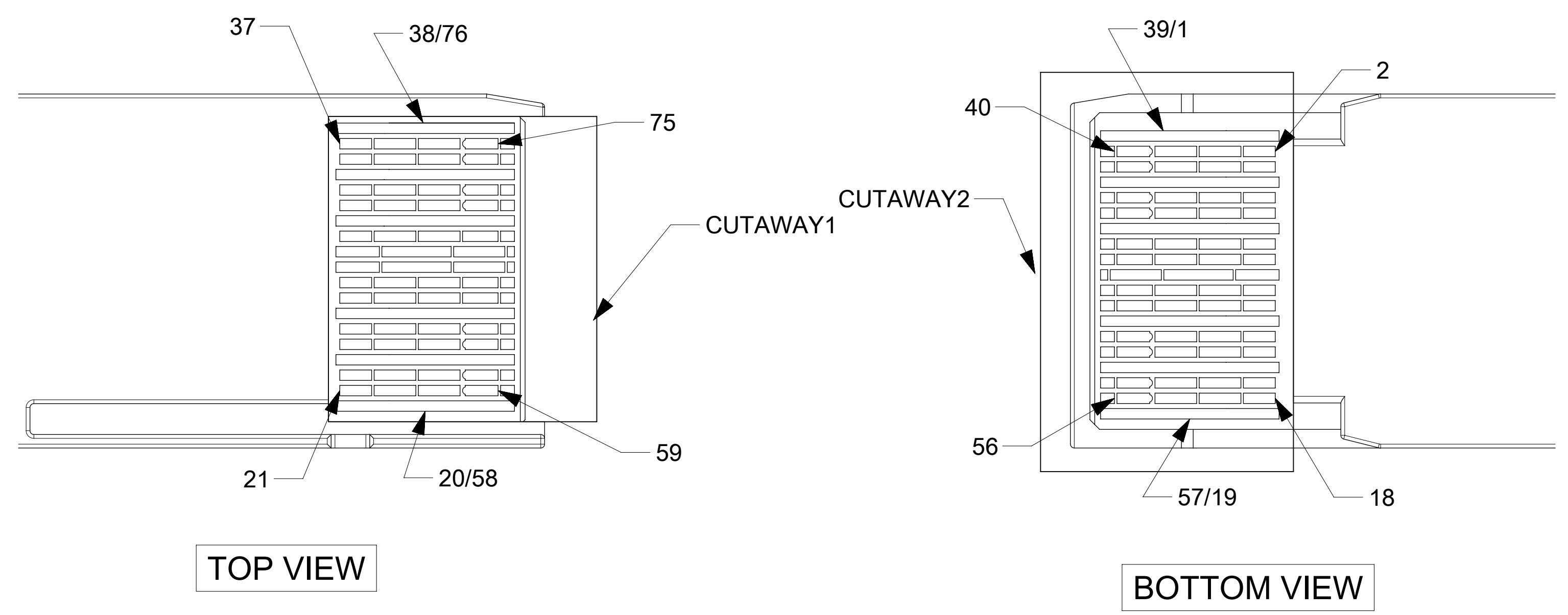


NOTE:  
VIEW NOT TO SCALE.

CABLE AWG	OD (mm)	MIN BEND RADIUS (mm)	MIN BEND SPACE (mm)
26*	(13)	(65)	(101)
28	(11)	(55)	(89)
30	(9.4)	(45)	(77)



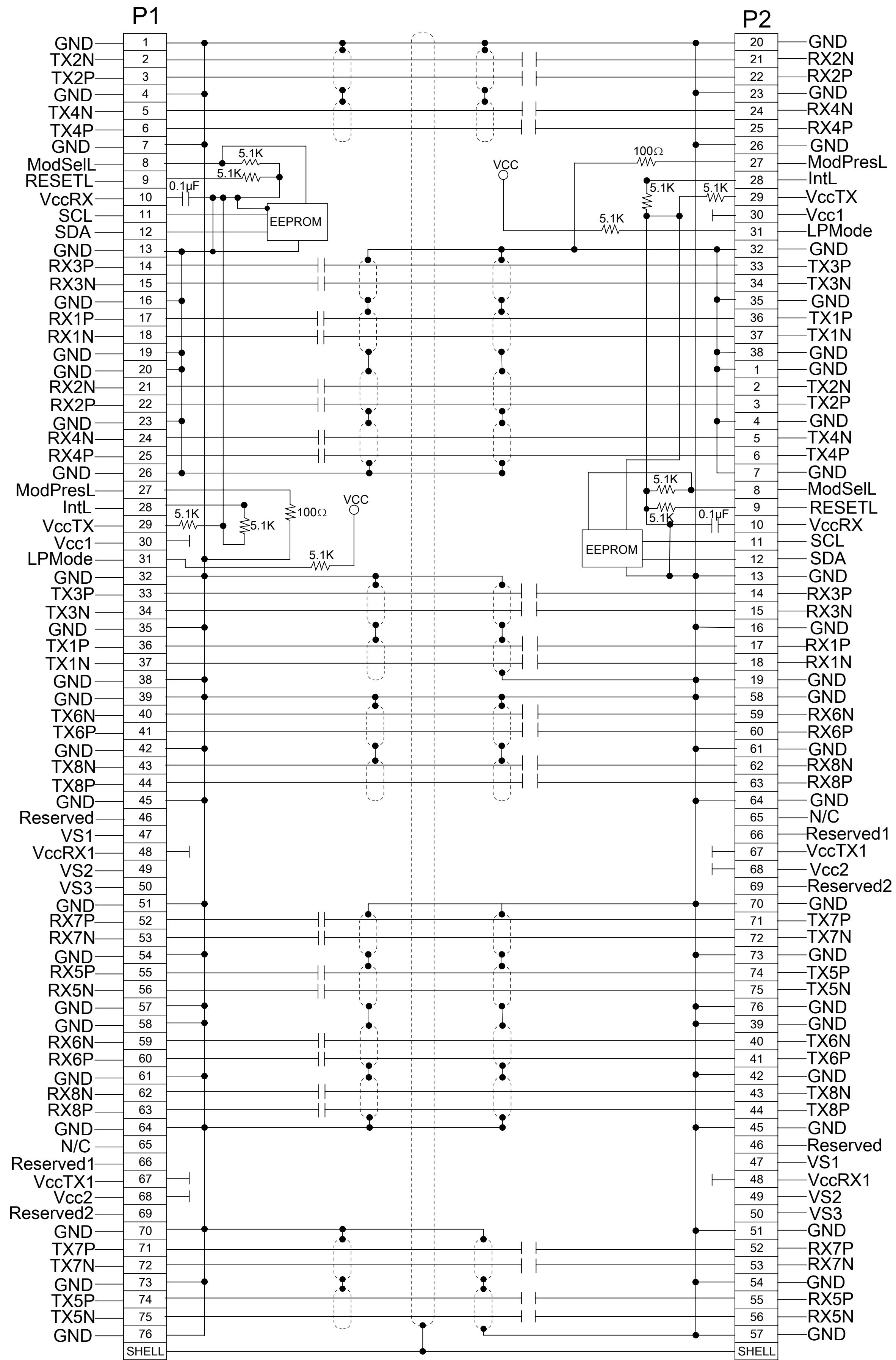
\*MINIMUM BEND RADIUS PENDING QUALIFICATION. NUMBERS ABOVE ARE ESTIMATES AND SUBJECT TO CHANGE.



- NOTES:
- DC BLOCKING CAPS ON RECEIVE SIDE ONLY
  - CABLE COILED AND PACKAGED IN BEST FIT ESD BAG AND SEALED WITH ESD LABEL FOR SHIPPING

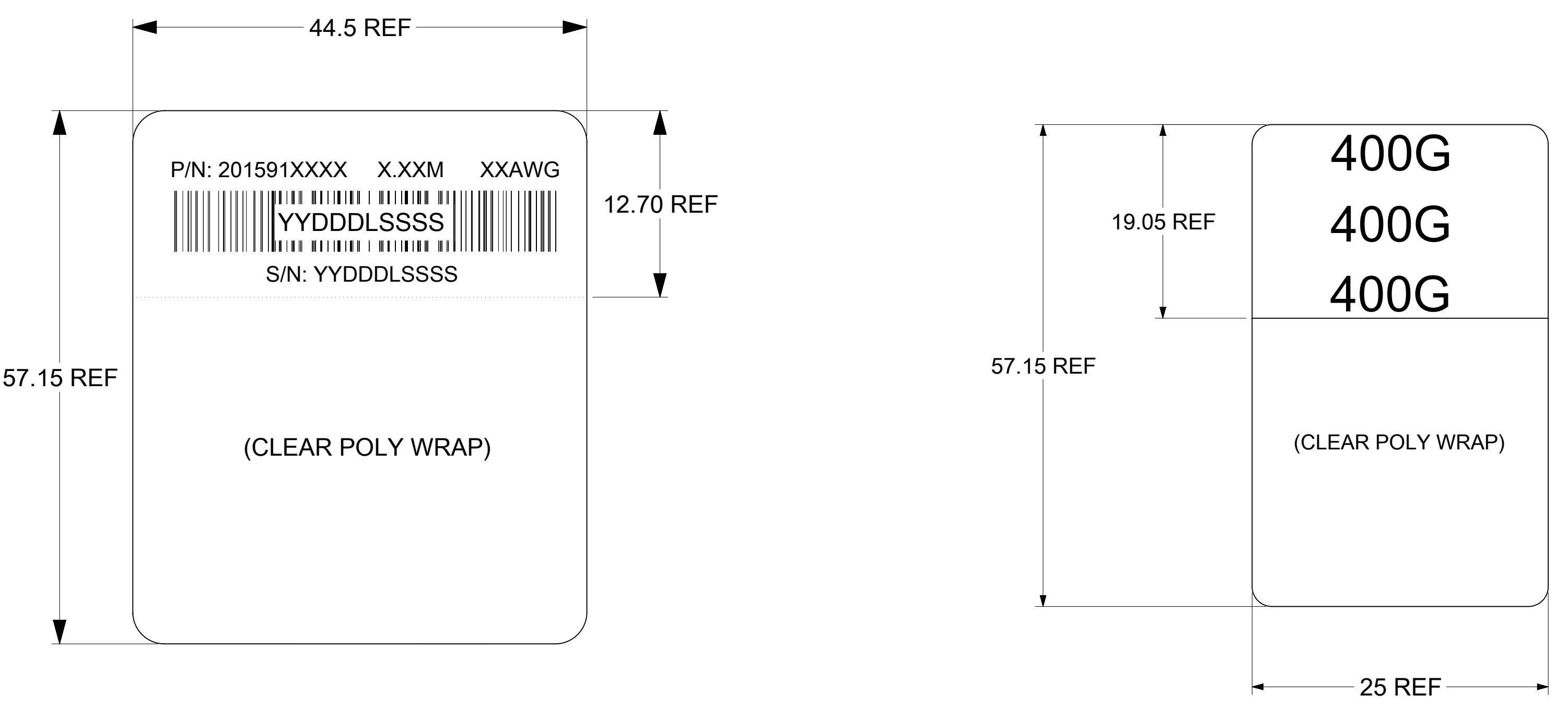
FUNCTIONAL SYMBOLS $F_A = 0$ $F_C = 0$ $F_P = 0$	DIMENSION UNITS: <b>mm</b> SCALE: <b>20:1</b>		CURRENT REV DESC: SHEET4 : ADDED LENGTH 2M 30AWG IN P/N TABLE			
	GENERAL TOLERANCES (UNLESS SPECIFIED)		EC NO: 677116			QSFP-DD TO QSFP-DD 56G PASSIVE CABLE ASY
	ANGULAR TOL $\pm 5.0^\circ$		DRWN: ADITHK 2021/05/24			
	4 PLACES $\pm$		CHK'D: VITTAD 2021/09/09			
DIVISIONAL SYMBOLS	3 PLACES $\pm$		APPR: MGARRISON 2021/09/10		PRODUCT CUSTOMER DRAWING	
	2 PLACES $\pm 0.13$		INITIAL REVISION:			
	1 PLACE $\pm 0.25$		DRWN: TPRATT 2016/11/08		DOCUMENT NUMBER: <b>2015911005</b>	
	0 PLACES $\pm$		APPR: CHIRSCHY 2016/11/10			DOC TYPE: PSD
DRAFT WHERE APPLICABLE MUST REMAIN WITHIN DIMENSIONS		THIRD ANGLE PROJECTION	DRAWING: <b>D-SIZE</b>	SERIES: <b>201591</b>	MATERIAL NUMBER: SEE P/N TABLE	
				CUSTOMER: GENERAL MARKET	SHEET NUMBER: 2 OF 4	

# WIRING DIAGRAM



FUNCTIONAL SYMBOLS	THIS DRAWING CONTAINS INFORMATION THAT IS PROPRIETARY TO MOLEX ELECTRONIC TECHNOLOGIES, LLC AND SHOULD NOT BE USED WITHOUT WRITTEN PERMISSION		CURRENT REV DESC: SHEET4 : ADDED LENGTH 2M 30AWG IN P/N TABLE		<h1 style="margin: 0;">molex</h1>
	DIMENSION UNITS	SCALE			
$\nabla_A = 0$	mm	1:1			QSFP-DD TO QSFP-DD 56G PASSIVE CABLE ASY
$\nabla_C = 0$	GENERAL TOLERANCES (UNLESS SPECIFIED)				
$\nabla_P = 0$	ANGULAR TOL $\pm 5.0^\circ$				PRODUCT CUSTOMER DRAWING
4 PLACES $\pm$					
3 PLACES $\pm$				DOCUMENT NUMBER: <b>2015911005</b> DOC TYPE: PSD    DOC PART: 000    REVISION: U	
2 PLACES $\pm 0.13$					
1 PLACE $\pm 0.25$				MATERIAL NUMBER: SEE P/N TABLE    CUSTOMER: GENERAL MARKET    SHEET NUMBER: 3 OF 4	
0 PLACES $\pm$					
DRAFT WHERE APPLICABLE MUST REMAIN WITHIN DIMENSIONS		THIRD ANGLE PROJECTION		DRAWING: <b>D-SIZE</b> SERIES: 201591	

**LABEL DETAILS**



P/N: 201591XXXX - MOLEX PART NUMBER (SEE P/N TABLE)

X.XXM - CABLE LENGTH IN METERS (EXAMPLES - 0.5M, 1.0M, 1.5M)  
SEE P/N TABLE FOR THE NUMBER OF DIGITS

XXAWG - CABLE SIZE IN AWG

S/N: YYDDLSSSS - SERIAL NUMBER  
 YY = YEAR, THE LAST 2 DIGITS OF YEAR  
 DDD = DAY OF THE YEAR  
 L = LOCATION  
 1 - USA  
 2 - MEXICO  
 3 - CHINA  
 4 - PHILIPPINES  
 SSSS = SERIAL NUMBER (0001-9999)

MOLEX P/N	LENGTH (M)	AWG
2015911005*	0.5M +/- 0.05M	30
2015911007	0.75M +/- 0.05M	30
2015911010	1.0M +/- 0.05M	30
2015911012	1.25M +/- 0.05M	30
2015911015	1.5M +/- 0.08M	30
2015911020	2.0M +/- 0.08M	30
2015913005*	0.5M +/- 0.05M	28
2015913010	1.0M +/- 0.05M	28
2015913012	1.25M +/- 0.05M	28
2015913015	1.5M +/- 0.08M	28
2015913017	1.75M +/- 0.08M	28
2015913020	2.0M +/- 0.08M	28
2015913025	2.5M +/- 0.08M	28
2015913252	2.5M +/- 0.08M	26
2015913027	2.75M +/- 0.08M	26
2015913030	3.0M +/- 0.08M	26

\*CABLES MAY NOT MEET ALL IEEE 802.3cd 56G PAM4 PARAMETERS

FUNCTIONAL SYMBOLS FA = 0 FE = 0 FP = 0 DIVISIONAL SYMBOLS	THIS DRAWING CONTAINS INFORMATION THAT IS PROPRIETARY TO MOLEX ELECTRONIC TECHNOLOGIES, LLC AND SHOULD NOT BE USED WITHOUT WRITTEN PERMISSION		CURRENT REV DESC: SHEET4 : ADDED LENGTH 2M 30AWG IN P/N TABLE		
	DIMENSION UNITS	SCALE	GENERAL TOLERANCES (UNLESS SPECIFIED)		
	mm	1:1	ANGULAR TOL ± 5.0°		
	4 PLACES ±		3 PLACES ±		
3 PLACES ±		2 PLACES ± 0.13		EC NO: 677116	PRODUCT CUSTOMER DRAWING DOCUMENT NUMBER: 2015911005   DOC TYPE: PSD   DOC PART: 000   REVISION: U
2 PLACES ± 0.25		1 PLACE ±		DRWN: ADITHK 2021/05/24	
0 PLACES ±		DRAFT WHERE APPLICABLE MUST REMAIN WITHIN DIMENSIONS		DRWN: TPRATT 2016/11/08	MATERIAL NUMBER: SEE P/N TABLE   CUSTOMER: GENERAL MARKET   SHEET NUMBER: 4 OF 4
THIRD ANGLE PROJECTION		DRAWING: D-SIZE		APP: MGARRISON 2021/09/10	
				INITIAL REVISION: 2016/11/10	
				APP: CHIRSCHY 2016/11/10	