

WSA48- (1) - RM - (2) - (3) - (4) - (5) - (6)

SWITCH FUNCTION CODE	SWITCH FUNCTION DESCRIPTION
1	MECHANICAL, MOMENTARY, SOLDER TERMINAL
A	MECHANICAL, MOMENTARY, NO/NO WIRELEADS
C	MECHANICAL, MOMENTARY, NC/NC WIRELEADS
E	MECHANICAL, MOMENTARY, NC/NO WIRELEADS

BEZEL TYPE DESCRIPTION
ROUND, MIRROR BLACK

LIGHTED CODE	DESCRIPTION
N	NONE
G	GREEN
R	RED
B	BLUE
W	WHITE
Y	YELLOW

BUTTON COLOR CODE (SEE NOTE 2)	DESCRIPTION OF BUTTON
(H)RD	RED
(H)GR	GREEN
(H)BK	BLACK
(H)BL	BLUE
(H)YL	YELLOW
(H)OR	ORANGE
(H)WH	WHITE

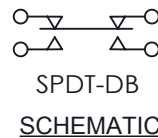
MOUNTING TYPE CODE	MOUNTING TYPE
B	BUSHING
F	SNAP FIT

LED INLET VOLTAGE CODE		LED INLET VOLTAGE
NON-WIRELEADS	BLANK*	SEE SEPC. TABLE SEE SEPC. TABLE
WIRELEADS	BLANK*	SEE SEPC. TABLE SEE SEPC. TABLE
	05	5V
	12	12V
	24	24V

ANY CODE	DESCRIPTION
IF BLANK	NA
XXX	PER CUSTOMER SPECIAL REQUEST

MECHANICAL CHARACTERISTICS:

SWITCH CIRCUITRY: SPDT-DB
 SWITCH ACTION: MOMENTARY (PER CHART)
 PRE-TRAVEL: 1.27 mm NOMINAL
 OVER-TRAVEL: 0.254 mm NOMINAL
 TOTAL TRAVEL: 1.524 mm NOMINAL
 OPERATING FORCE: 525 g [5.15 N] NOMINAL
 RELEASE FORCE: 340 g [3.45 N] NOMINAL
 PANEL THICKNESS:
 BUSHING MOUNT: 0.5 - 3.0mm
 SNAP MOUNT: 1mm/2mm/3mm ±0.05



CONTACTS: SILVER
 NUT TORQUE FORCE: MAX. 6 kgf*cm [5.2 LB*in]

ELECTRICAL LIFE:

5A@28VDC, 5A@125/250VAC, 25K CYCLES NOMINAL

ENVIRONMENTAL SPECIFICATIONS:

OPERATING TEMPERATURE: -40°C to +85°C [-40°F to +185°F]
 IP67 COMPLIANT

ELECTRICAL SPECIFICATIONS:

DIELECTRIC STRENGTH: 1,000VAC
 INSULATION RESISTANCE: 1G OHM
 CONTACT RESISTANCE:
 50m /250 OHMS MAX. INITIAL (NON-WIRELEAD / WIRELEADS)

LED SPECIFICATIONS & WIRELEADS SPECIFICATIONS:

SEE LED SPECIFICATION
 SEE WIRELEADS SPECIFICATION

CERTIFICATION: UL 61058

*** NOTE:**

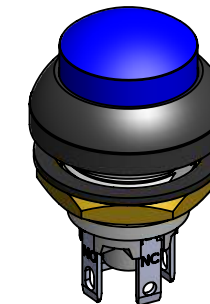
- SUPPLY HEX NUT AND SEALING WASHER BULK IN PACKED
- HIGH-BUTTON OPTION, DENOTED (H), ONLY AVAILABLE FOR NON-ILL. TYPE. OMIT (H) FOR STANDARD BUTTON.

LED SPECIFICATION				
LED CODE	LED Color	CIRCUITRY	Vf(VDC)	If (mA)
			Color	
R	RED		1.8 ~ 2.5	20
B	BLUE		2.8 ~ 3.5	20
G	GREEN		2.8 ~ 3.5	20
Y	YELLOW		1.8 ~ 2.5	20
W	WHITE		2.8 ~ 3.5	20

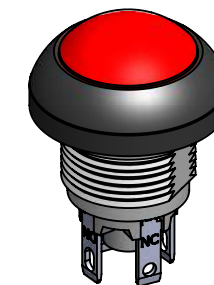
Notes:
 Hand Soldering Temperature (4mm above from Body) : 320°C for 3 seconds

WIRELEADS SPECIFICATION					
WIRELEADS TYPE	WIRELEADS SPECIFICATION	SW TERMINAL	SW TERMINAL	LED COLOR	
				+	-
ILLUMINATION	SW :AWG24 / UL1007 LED: AWG26/UL1007	BLUE	YELLOW	RED	BLACK
NON-ILLUMINATION		BLUE	YELLOW	-	-

HIGH BUTTON TYPE



BUSHING TYPE



SEALING WASHER (SUPPLIED IN BULK)

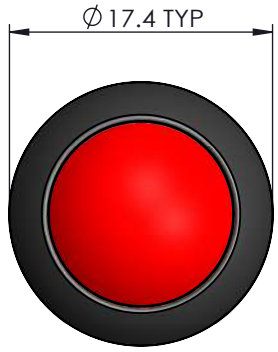


SPECIAL HEX NUT HEX 14.0, M12*P1.0 (SUPPLIED IN BULK)

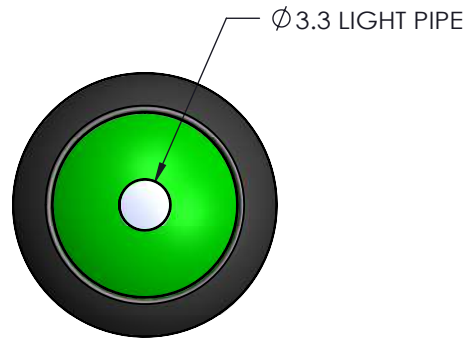


DWG TYPE SALES DRAWING	DRAWN <i>K.Y.</i>	TOLERANCES: UNLESS OTHERWISE NOTED X.X ± 0.5 X.XX ± 0.2 ANGULAR ±1°	DWG TITLE WSA48 RM SERIES(MOMENTARY)					
STATUS RELEASE	REVIEW <i>v.w.</i>	THIRD ANGLE PROJECTION 	DWG NO. WSA48-1,A,C,E-RM					
<small>This document is the intellectual property of ITW Electronic Business Asia Co., Limited and may contain confidential, proprietary, privileged information protected by law. Neither this document nor any information it contains can be reproduced, transformed to any other format, or distributed, without written permission by ITW Electronic Business Asia Co., Limited. 本文件為安達維百電股份有限公司之智慧財產，非經許可不得翻取、複製、轉變成其他形式使用或散佈。</small>			<input checked="" type="checkbox"/> 管制文件 <input type="checkbox"/> 非管制文件	Unit mm		SCALE 2 : 1	REV 4	RoHS Compliant

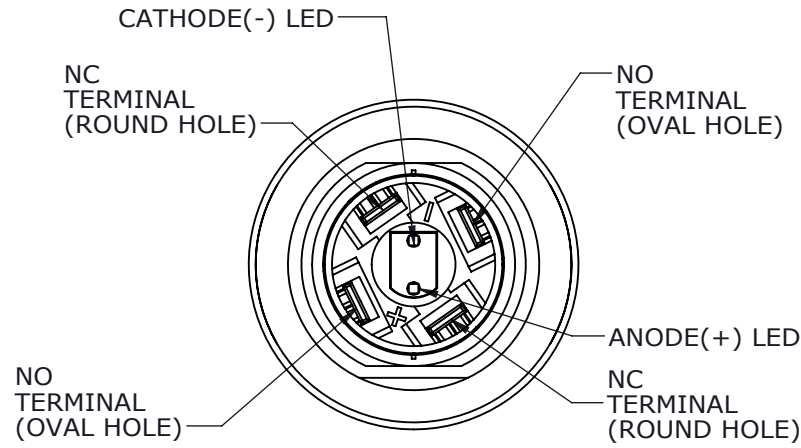
BUSHING MOUNTING



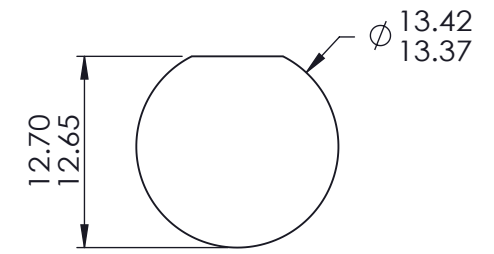
NON-ILLUMINATION



ILLUMINATION

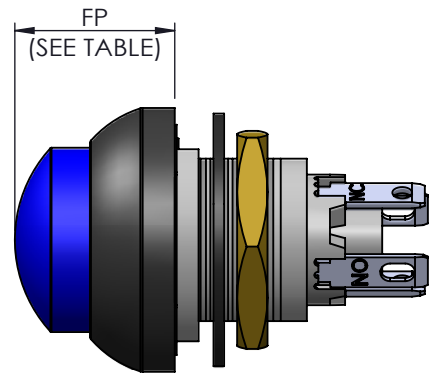
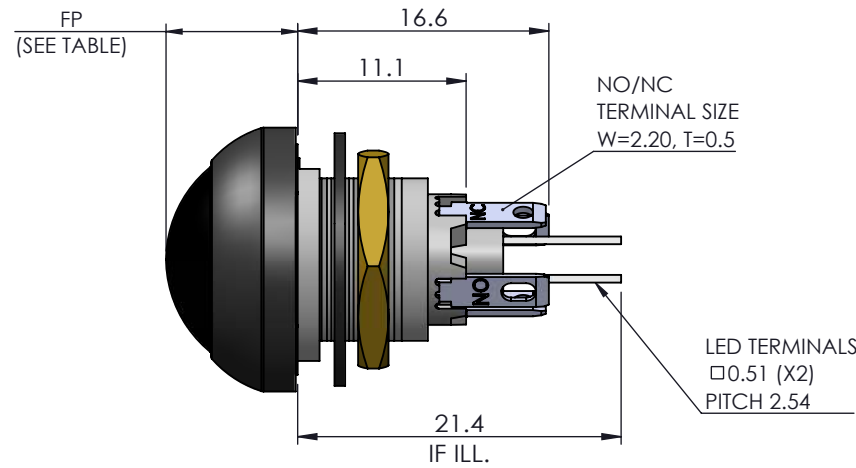


DETAIL FOR TERMINAL POSITION

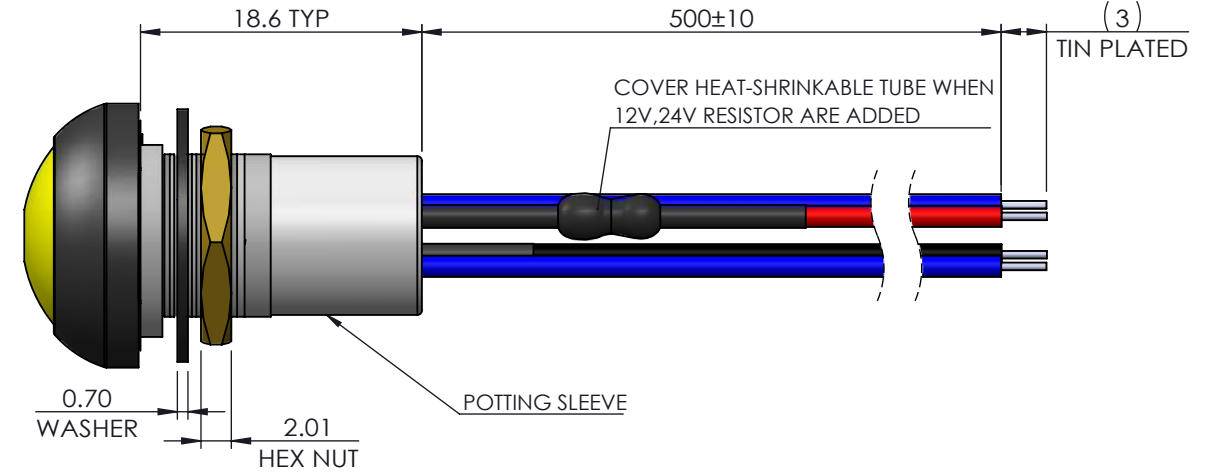


REFERENCE PANEL CUT-OUT BUSHING MOUNT

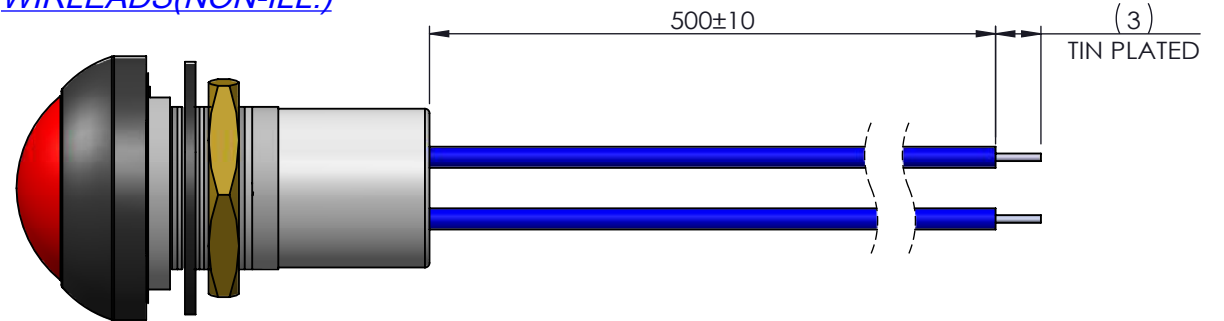
BUTTON TYPE	FP(mm)
NON-ILLUMINATION	8.7±0.5
ILLUMINATION: LIGHT PIPE	7.8±0.5
HIGH BUTTON	10.6±0.5



WIRLEADS(ILL.)

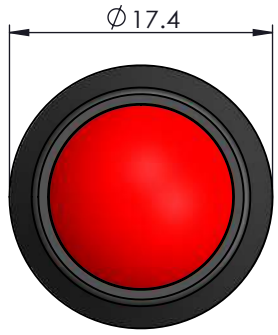


WIRLEADS(NON-ILL.)

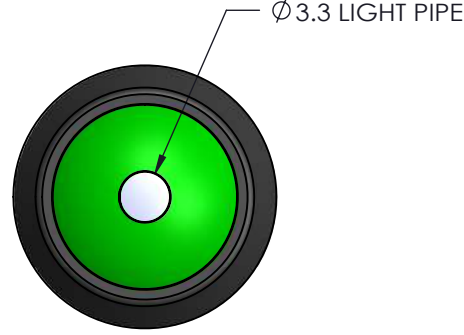


DWG TYPE SALES DRAWING	DRAWN <i>K.Y.</i>	TOLERANCES: UNLESS OTHERWISE NOTED X.X ± 0.5 X.XX ± 0.2 ANGULAR ±1°	DWG TITLE WSA48 RM SERIES(MOMENTARY)							
STATUS RELEASE	REVIEW <i>v.w.</i>	THIRD ANGLE PROJECTION 	DWG NO. WSA48-1,A,C,E-RM							
<small>This document is the intellectual property of ITW Electronic Business Asia Co., Limited and may contain confidential, proprietary, privileged information protected by law. Neither this document nor any information it contains can be reproduced, transformed to any other format, or distributed, without written permission by ITW Electronic Business Asia Co., Limited. 本文作為安達維百電股份有限公司之智慧財產，非經許可不得擷取、複製、轉變成其他形式使用或散佈。</small>			DATE 2020/5/26	REF: --	<input checked="" type="checkbox"/> 管制文件 <input type="checkbox"/> 非管制文件	Unit mm	SCALE 2:1	REV 4	RoHS Compliant	SHEET 2 OF 4

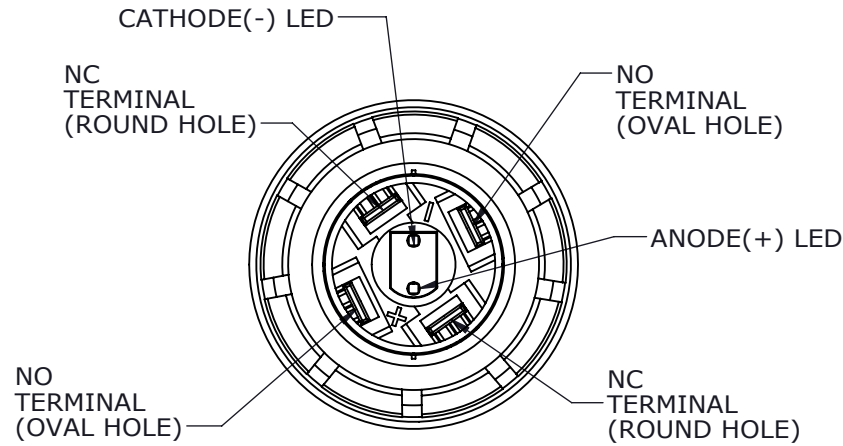
SNAP FIT MOUNTING



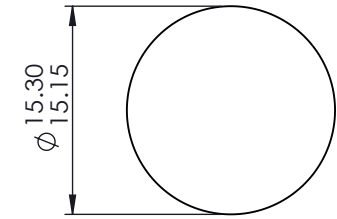
NON-ILLUMINATION



ILLUMINATION

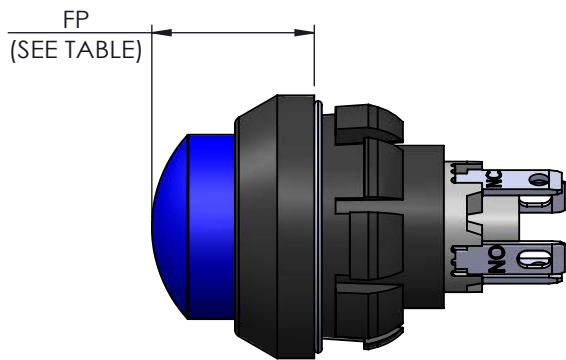
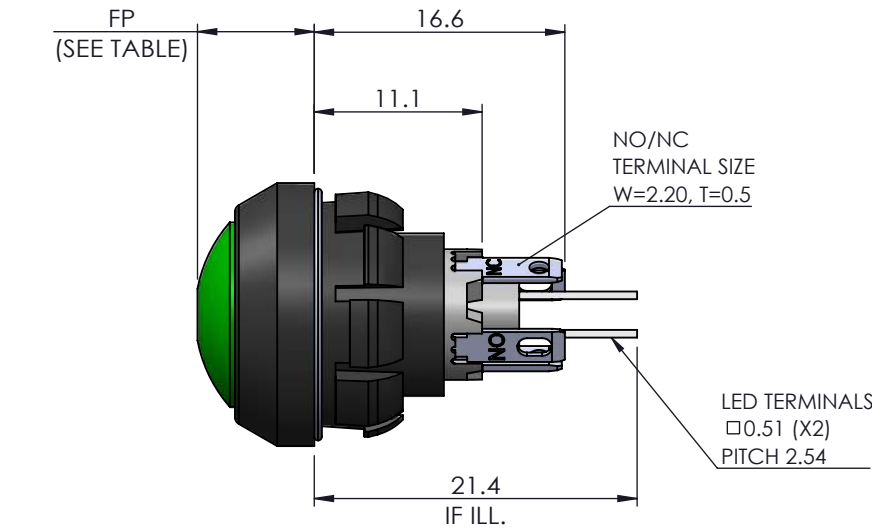


DETAIL FOR TERMINAL POSITION

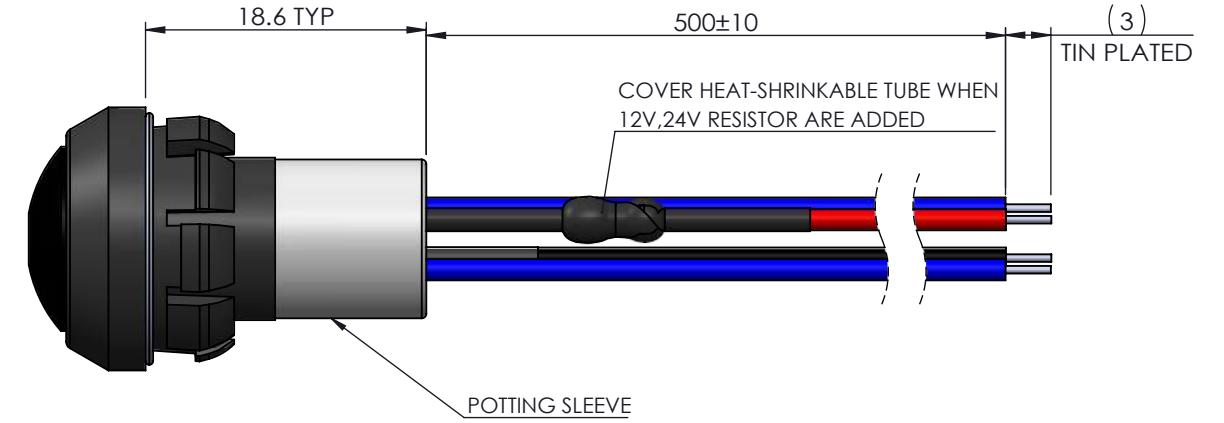


REFERENCE
PANEL CUT-OUT
SNAP FIT MOUNT
PANEL THICKNESS: 1.0mm , 2.0mm , 3.0mm ±0.5

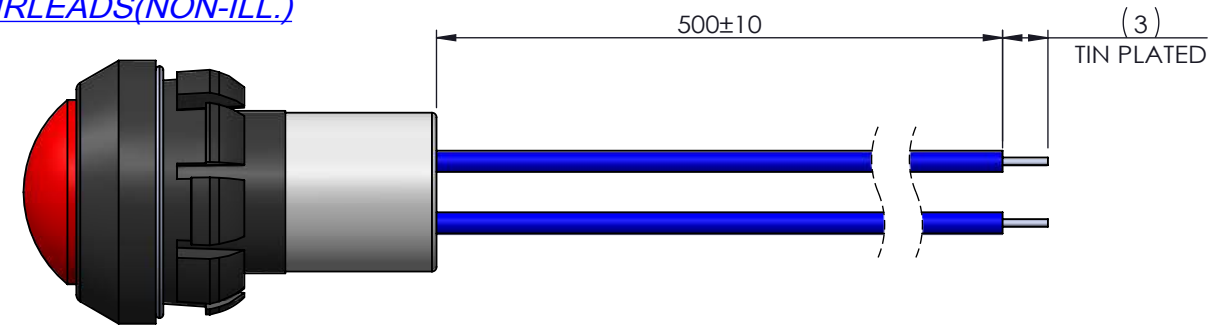
BUTTON TYPE	FP(mm)
NON-ILLUMINATION	8.7±0.5
ILLUMINATION: LIGHT PIPE	7.8±0.5
HIGH BUTTON	10.6±0.5



WIRLEADS(ILL.)



WIRLEADS(NON-ILL.)



DWG TYPE SALES DRAWING	DRAWN <i>K.Y.</i>	TOLERANCES: UNLESS OTHERWISE NOTED X.X ± 0.5 X.XX ± 0.2 ANGULAR ±1°	DWG TITLE WSA48 RM SERIES(MOMENTARY)							
STATUS RELEASE	REVIEW <i>v.w.</i>	THIRD ANGLE PROJECTION 	DWG NO. WSA48-1,A,C,E-RM							
<small>This document is the intellectual property of ITW Electronic Business Asia Co., Limited and may contain confidential, proprietary, privileged information protected by law. Neither this document nor any information it contains can be reproduced, transformed to any other format, or distributed, without written permission by ITW Electronic Business Asia Co., Limited. 本文作為安達維百電股份有限公司之智慧財產，非經許可不得擷取、複製、轉變成其他形式使用或散佈。</small>			DATE 2020/5/26	REF: --	<input checked="" type="checkbox"/> 管制文件 <input type="checkbox"/> 非管制文件	Unit mm	SCALE 2 : 1	REV 4	RoHS Compliant	SHEET 3 OF 4